

# ARIANE

## Functionality meeting design

Equipped with the latest generation of the soft-close INDAmatic, ARIANE enhances daily home comfort. The smoothness of this system is the result of the perfect interaction between parts.

INDAmatic





# THE MOST SOLID STYLE

ARIANE is the double walled drawer from Indaux. A drawer system with a minimalist design and refined aesthetics which offers multiple options in home organisation.

## Versatility

Three drawer side heights (84, 116 and 172 mm.) for maximum flexibility when designing drawers for the kitchen or home. The ARIANE range also includes the option to create a drawer with glass sides.

## Ease of movement

Perfect sliding qualities with a precise, full extension synchronised runner, created specifically for ARIANE. These runners provide extreme smoothness of movement, reinforced by the INDAmatic system incorporated for a silent and gradual close. Thanks to constant research, the INDAmatic soft closing cushioned system is now more gradual than ever, with minimum opening effort.

## Pan drawer 172 mm. height

The high-fronted drawer side height of 172mm. is a single piece high pan drawer, ensuring a completely enclosed storage area and a seamless aesthetic. The assembly is very easy, as no additional parts are required. It is ideal for either pans or storing provisions.



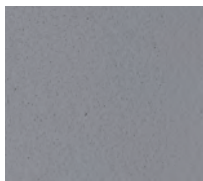
INDAmatic



The glass side add-on for the pan drawer enables you to enhance the furniture's design and beauty down to the last detail. More storage space and more customisation possibilities.

# THREE COLOURS AND MATERIALS: MANY OPTIONS

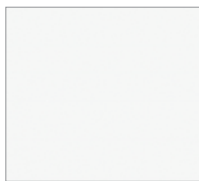
The drawer sides are available in four finishes: anthracite grey, metallic grey, stainless steel and white; matching the non-metallic elements of the accessories. Other colours available on demand.



Anthracite grey



Metallic grey



White

# CAPACITY

Standard in the organisation of the kitchen, the **pan drawer** by **ARIANE** is designed to optimize capacity and can be configured in accordance with needs: low sides with lateral tube, medium sides with lateral tube, and high sides. Thanks to the **INDAmatic** system incorporated, the drawers always close softly, even at full capacity.

To completely blend in with the finish of the drawer, the interior dividers of the pan drawer are available in the same shades as the sides and backs.

 **INDAmatic**



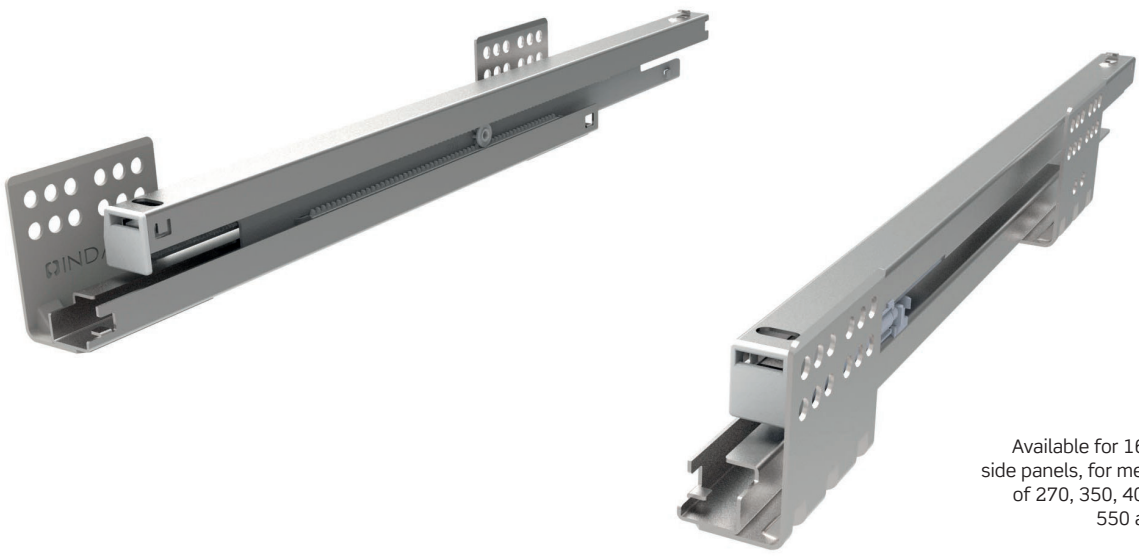
INDAUX

# PRECISION AND QUALITY IN MOVEMENT

The ARIANE drawer runner incorporates the latest generation of our well-known INDAmatic system. As a result of our continuing development and research, we can now offer minimum opening effort whilst maintaining the soft closing capacity.

 INDAmatic





Available for 16 and 19 mm side panels, for measurements of 270, 350, 400, 450, 500, 550 and 600 mm.

# INTELLIGENT DISTRIBUTION

The ARIANE drawer collection has a wide range of accessories to make the most of space both in the kitchen and home: low and high drawer sides, modular cutlery holders which can be configured at will, practical pan holders, accessories for knives, for spice jars, dividers...

In addition to its perfect capacity to provide more space and comfort in the kitchen, Indaux offers elegance and efficient design in all its products. Functionality and beauty in the most intelligent drawers and accessories.



INDAUX

# MAXIMUM CUSTOMISATION

Thanks to the different heights and lengths of the drawer sides, the **ARIANE** range of applications are countless.





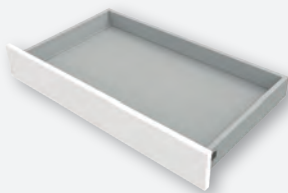
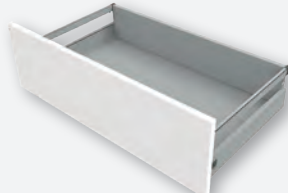
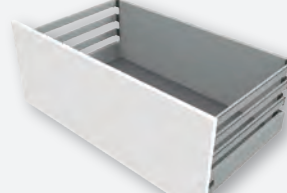








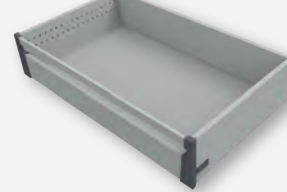
# FLEXIBILITY AND EFFICIENCY

The **interior drawer** provides flexibility design, with or without fronts. In combination with the **pan drawer** or other interior drawers, the day-to-day organisation possibilities are multiplied. The design of these drawers has been conceived for maximum space efficiency and order.

In addition, its fronts are offered in the same colours as the sides, as well as the non-metallic elements, for a uniform look.

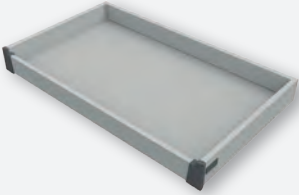
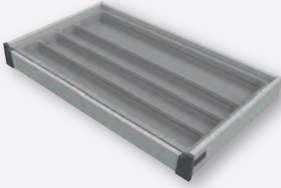


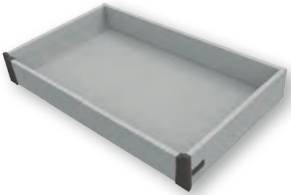





# ARIANE DRAWER RANGE

|       |   |   |  |
|-------|---|---|--|
| H 84  |  <p>H84 STANDARD</p>                 |  <p>H84 WITH 1 SIDE TUBE</p>            |  <p>H84 WITH MULTIPLE SIDE TUBES</p>    |
|       |  <p>H84 UNDER SINK 1 SIDE TUBE</p> |  <p>H84 UNDER SINK 2 SIDES TUBES</p>  |  <p>H84 WITH GLASS SIDE ADD-ON</p>    |
| H 116 |  <p>H116 STANDARD</p>              |  <p>H116 WITH 1 SIDE TUBE</p>         |  <p>H116 WITH MULTIPLE SIDE TUBES</p> |
| H 172 |  <p>H172 STANDARD</p>              |  <p>H172 WITH MULTIPLE SIDE TUBES</p> |  <p>H172 INTERIOR 1 FRONT TUBE</p>    |



- > Three drawer side heights (84, 116 and 172 mm.) for maximum flexibility.
- > High precision, full extension synchronised runners including the **INDAmatic** system.
- > Four finishes: anthracite grey, metallic grey, stainless steel and white.
- > A wide range of accessories: under-sink drawer, waste bins, different interior drawer heights....

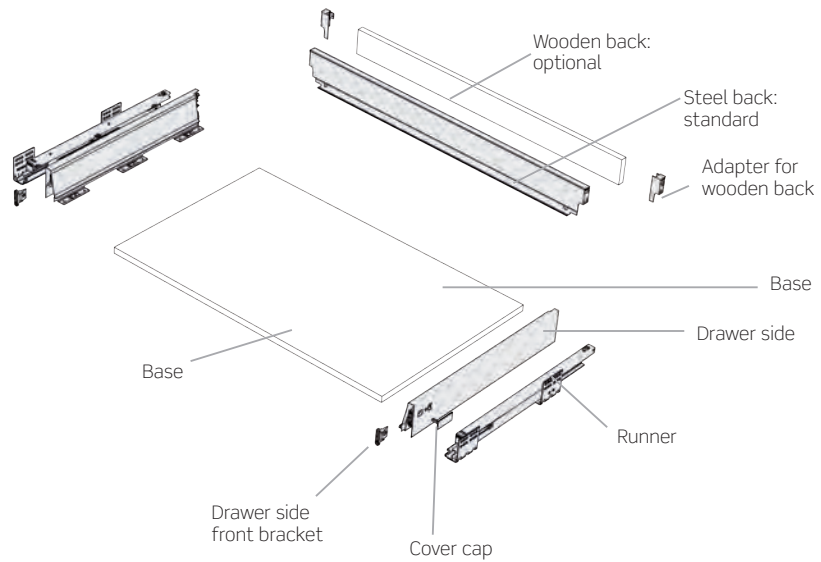
|   |  |                     |
|---|--|---------------------|
|  <p>H84 INTERIOR DRAWER</p>              |  <p>H84 INTERIOR WITH CUTLERY TRAY</p>  | <p><b>H 84</b></p>  |
|  <p>H84 STANDARD WITH CUTLERY TRAY</p> |  <p>H84 WITH 1 SIDE TUBE DIVIDERS</p> |                     |
|  <p>H116 INTERIOR DRAWER</p>           |  <p>H116 1 SIDE TUBE DIVIDERS</p>     | <p><b>H 116</b></p> |
|  <p>H172 UNDER SINK 1 SIDE TUBE</p>    |  <p>H172 WITH DIVIDERS</p>            | <p><b>H 172</b></p> |

# COMPONENTS

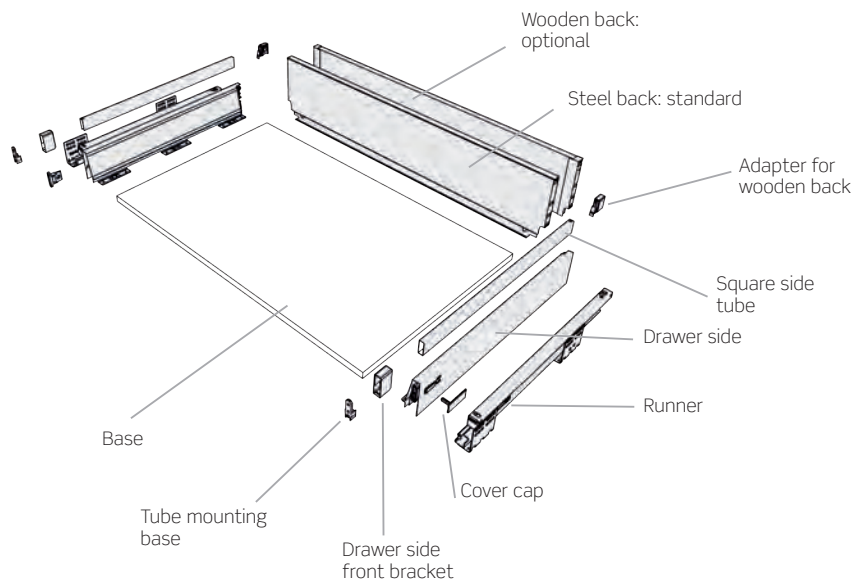
## DRAWER BREAKDOWN

Here are some configuration examples.

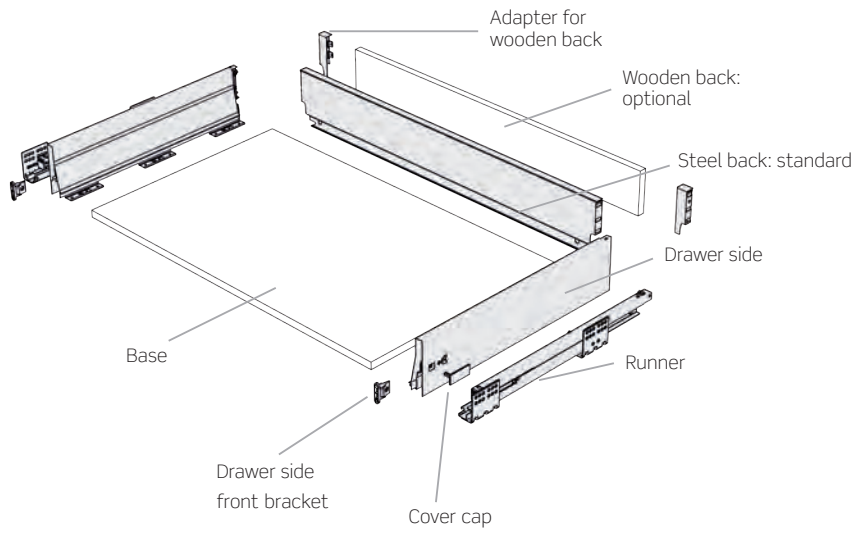
DRAWER H84  
BACK H87



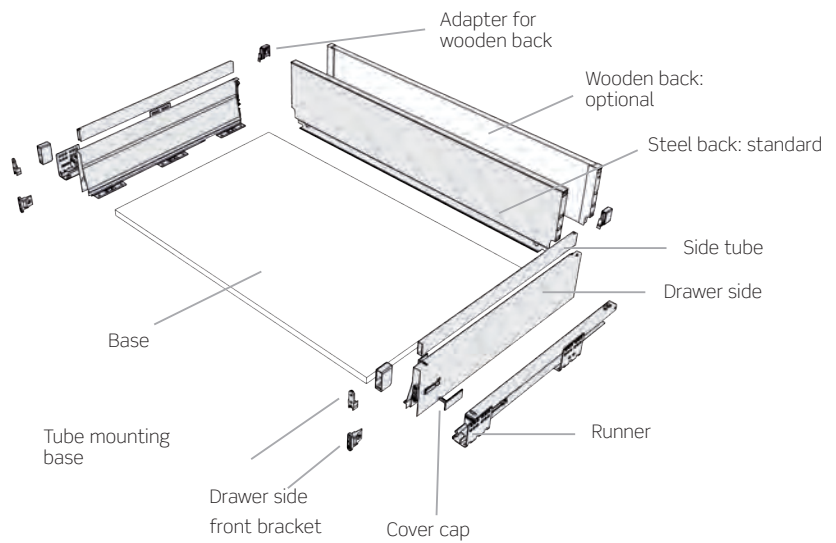
DRAWER H84  
BACK H175



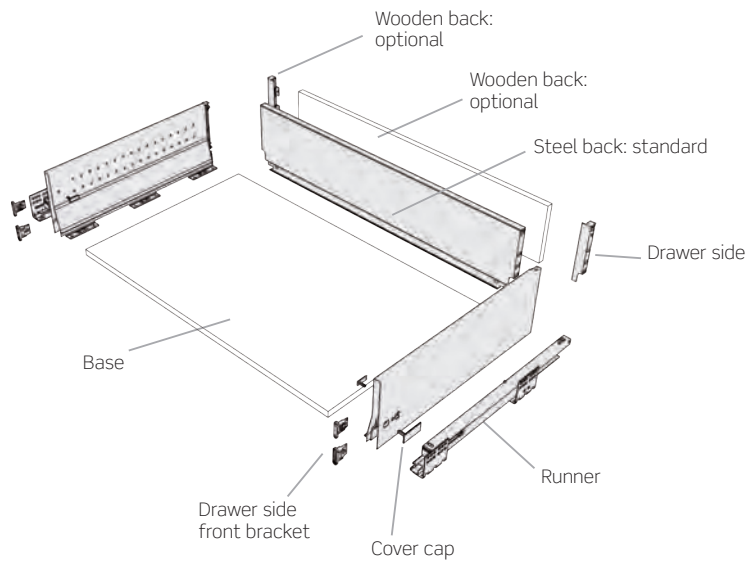
DRAWER H116  
BACK H119



DRAWER H116  
BACK H175




DRAWER H172  
BACK H175



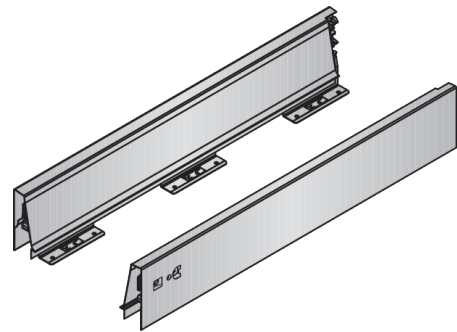
■ Components for H84 standard drawer




Drawer sides H84

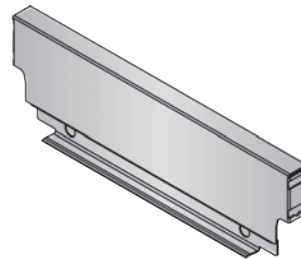
| Depth | Metal Grey  | White RAL 9003 | Anthracite  |  |
|-------|-------------|----------------|-------------|---|
| 270   | 670.527.141 | 670.527.130    | 670.527.830 | 20  |
| 350   | 670.535.143 | 670.535.132    | 670.535.832 |   |
| 400   | 670.540.146 | 670.540.135    | 670.540.835 |   |
| 450   | 670.545.142 | 670.545.131    | 670.545.831 |   |
| 500   | 670.550.145 | 670.550.134    | 670.550.834 |   |
| 550   | 670.555.141 | 670.555.130    | 670.555.830 |   |
| 600   | 670.560.144 | 670.560.133    | 670.560.833 |   |

1 set.




Steel back H87

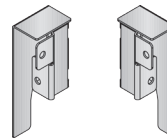
| Module | Metal Grey  | White RAL 9003 | Anthracite  |  |
|--------|-------------|----------------|-------------|---|
| 300    | 644.030.144 | 644.030.133    | 644.030.833 | 20  |
| 350    | 644.035.140 | 644.035.136    | 644.035.836 |   |
| 400    | 644.040.143 | 644.040.132    | 644.040.832 |   |
| 450    | 644.045.146 | 644.045.135    | 644.045.835 |   |
| 500    | 644.050.142 | 644.050.131    | 644.050.831 |   |
| 600    | 644.060.141 | 644.060.130    | 644.060.830 |   |
| 700    | 644.070.140 | 644.070.136    | 644.070.836 |   |
| 800    | 644.080.146 | 644.080.135    | 644.080.835 |   |
| 900    | 644.090.145 | 644.090.134    | 644.090.834 |   |
| 1000   | 644.091.140 | 644.091.136    | 644.091.836 |   |
| 1200   | 644.099.142 | 644.099.131    | 644.099.831 |   |



Wooden back adapter H87

|  | Grey        | White RAL 9003 | Anthracite  |  |
|--|-------------|----------------|-------------|---|
|  | 645.000.145 | 645.000.134    | 645.000.834 | 40  |


1 set.



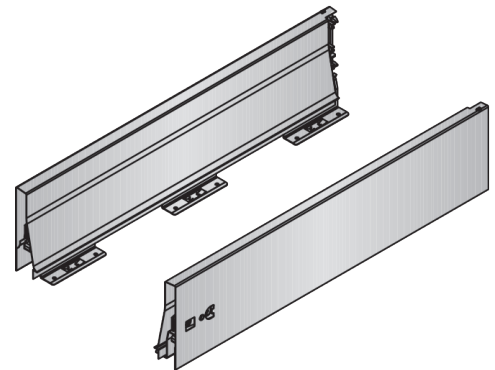
■ Components for H116 standard drawer




Drawer sides H116

| Depth | Metal Grey  | White RAL 9003 | Anthracite  |  |
|-------|-------------|----------------|-------------|---|
| 270   | 670.627.145 | 670.627.134    | 670.627.834 | 20  |
| 350   | 670.635.140 | 670.635.136    | 670.635.836 |   |
| 400   | 670.640.143 | 670.640.132    | 670.640.832 |   |
| 450   | 670.645.146 | 670.645.135    | 670.645.835 |   |
| 500   | 670.650.142 | 670.650.131    | 670.650.831 |   |
| 550   | 670.655.145 | 670.655.134    | 670.655.834 |   |
| 600   | 670.660.141 | 670.660.130    | 670.660.830 |   |

1 set.



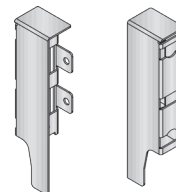
Steel back H119

| Module | Metal Grey  | White RAL 9003 | Anthracite  |  |
|--------|-------------|----------------|-------------|---|
| 300    | 644.130.141 | 644.130.130    | 644.130.830 | 20  |
| 350    | 644.135.144 | 644.135.133    | 644.135.833 |   |
| 400    | 644.140.140 | 644.140.136    | 644.140.836 |   |
| 450    | 644.145.143 | 644.145.132    | 644.145.832 |   |
| 500    | 644.150.146 | 644.150.135    | 644.150.835 |   |
| 600    | 644.160.145 | 644.160.134    | 644.160.834 |   |
| 700    | 644.170.144 | 644.170.133    | 644.170.833 |   |
| 800    | 644.180.143 | 644.180.132    | 644.180.832 |   |
| 900    | 644.190.142 | 644.190.131    | 644.190.831 |   |
| 1000   | 644.191.144 | 644.191.133    | 644.191.833 |   |
| 1200   | 644.199.146 | 644.199.135    | 644.199.835 |   |

Wooden back adapter H119

|  | Grey        | White RAL 9003 | Anthracite  |  |
|--|-------------|----------------|-------------|---|
|  | 645.100.142 | 645.100.131    | 645.100.831 | 40  |

1 set.

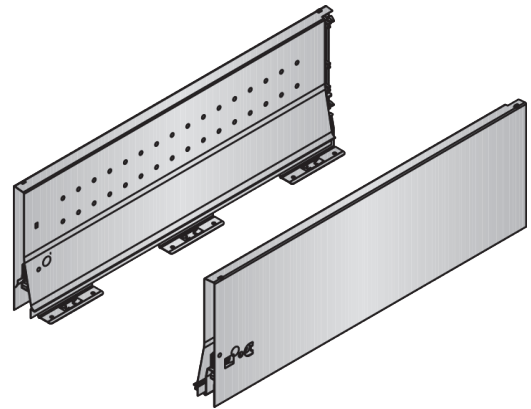


Components for H172 standard drawer



Drawer sides H172

| Depth | Metal Grey  | White RAL 9003 | Anthracite  |    |
|-------|-------------|----------------|-------------|----|
| 270   | 670.727.142 | 670.727.131    | 670.727.831 | 10 |
| 350   | 670.735.144 | 670.735.133    | 670.735.833 |    |
| 400   | 670.740.140 | 670.740.136    | 670.740.836 |    |
| 450   | 670.745.143 | 670.745.132    | 670.745.832 |    |
| 500   | 670.750.146 | 670.750.135    | 670.750.835 |    |
| 550   | 670.755.142 | 670.755.131    | 670.755.831 |    |
| 600   | 670.760.145 | 670.760.134    | 670.760.834 |    |



Front upper bracket

|       | Screw-mounting | Quick assembly |     |
|-------|----------------|----------------|-----|
| 1 set | 647.850.103    | 647.860.102    | 100 |

Screw-mounting

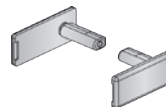
Quick assembly



Upper cover caps

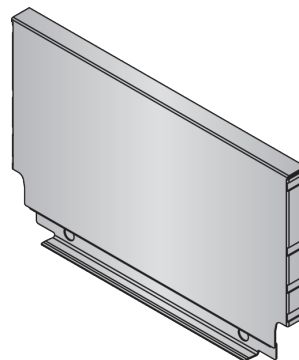
|               | Grey        | White Ral 9003 |     |
|---------------|-------------|----------------|-----|
| Without print | 647.950.144 | 647.950.133    | 100 |

1 set.



Steel back H175

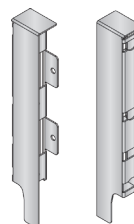
| Module | Metal Grey  | White RAL 9003 | Anthracite  |    |
|--------|-------------|----------------|-------------|----|
| 300    | 644.230.145 | 644.230.134    | 644.230.834 | 20 |
| 350    | 644.235.141 | 644.235.130    | 644.235.830 |    |
| 400    | 644.240.144 | 644.240.133    | 644.240.833 |    |
| 450    | 644.245.140 | 644.245.136    | 644.245.836 |    |
| 500    | 644.250.143 | 644.250.132    | 644.250.832 |    |
| 600    | 644.260.142 | 644.260.131    | 644.260.831 |    |
| 700    | 644.270.141 | 644.270.130    | 644.270.830 |    |
| 800    | 644.280.140 | 644.280.136    | 644.280.836 |    |
| 900    | 644.290.146 | 644.290.135    | 644.290.835 |    |
| 1000   | 644.291.141 | 644.291.130    | 644.291.830 |    |
| 1200   | 644.299.143 | 644.299.132    | 644.299.832 |    |



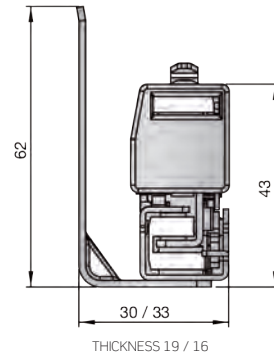
Wooden back adapter H175

|  | Grey        | White RAL 9003 | Anthracite  |    |
|--|-------------|----------------|-------------|----|
|  | 645.200.146 | 645.200.135    | 645.200.835 | 40 |

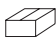
1 set.



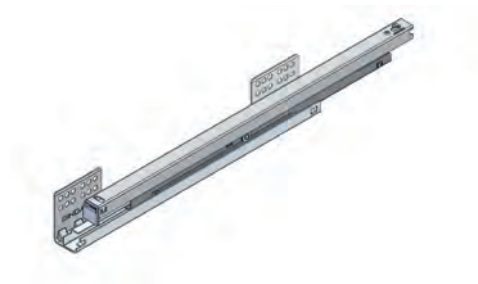
Synchronised runner




Full extension runner

| Depth | Thickness 16 | Thickness 19 |  |
|-------|--------------|--------------|---|
| 270   | 671.827.030  | 671.527.032  | 10  |
| 350   | 671.835.032  | 671.535.034  |   |
| 400   | 671.840.035  | 671.540.030  |   |
| 450   | 671.845.031  | 671.545.033  |   |
| 500   | 671.850.034  | 671.550.036  |   |
| 550   | 671.855.030  | 671.555.032  |   |
| 600   | 671.860.033  | 671.560.035  |   |

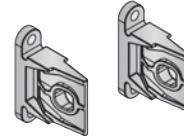
1 set.



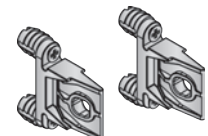
Front bracket

|       | Screw-mounting | Quick assembly |  |
|-------|----------------|----------------|---|
| 1 set | 647.800.145    | 647.810.144    | 100   |

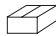
Screw-mounting



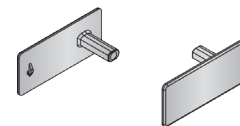
Quick assembly



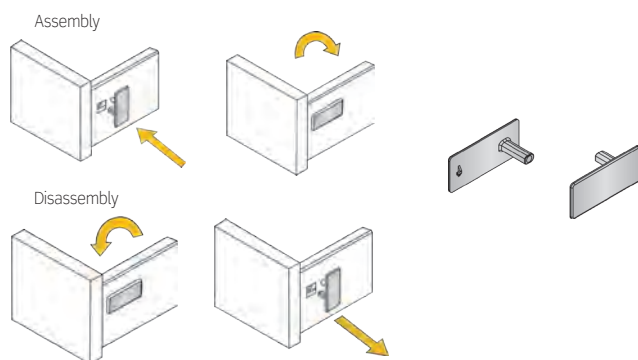
Cover caps

|                  | Grey        | White Ral 9003 |  |
|------------------|-------------|----------------|---|
| Without print    | 647.900.142 | 647.900.131    | 100   |
| With INDAUX logo | 647.000.141 | 647.000.130    |   |

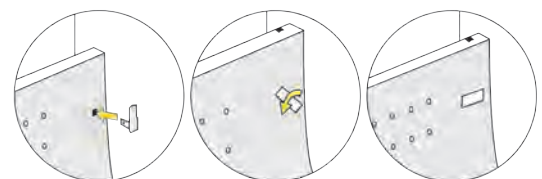
1 set.



Cover cap assembly and disassembly




Upper cover cap assembly



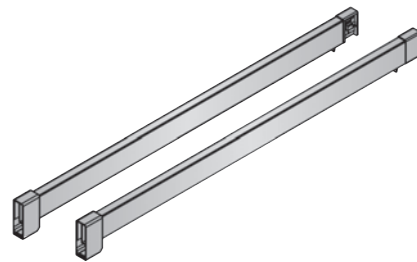
■ Components for H84 and H116 drawer with 1 side tube




Side tubes

| Depth | Metal Grey  | White RAL 9003 | Anthracite  |  |
|-------|-------------|----------------|-------------|---|
| 270   | 647.727.146 | 647.727.135    | 647.727.835 | 20  |
| 350   | 647.735.141 | 647.735.130    | 647.735.830 |   |
| 400   | 647.740.144 | 647.740.133    | 647.740.833 |   |
| 450   | 647.745.140 | 647.745.136    | 647.745.836 |   |
| 500   | 647.750.143 | 647.750.132    | 647.750.832 |   |
| 550   | 647.755.146 | 647.755.135    | 647.755.835 |   |
| 600   | 647.760.142 | 647.760.131    | 647.760.831 |   |

1 set.

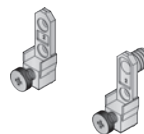


Side tube front bracket

|                |             |  |
|----------------|-------------|---|
| Quick assembly | 646.900.144 | 100   |
| Screw mounting | 646.800.140 |   |


1 set.

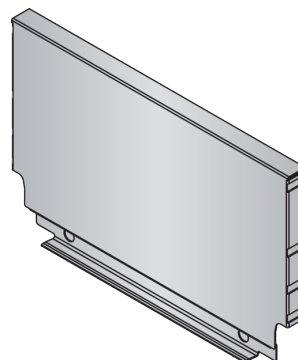
Screw mounting



Quick assembly

Steel back H175

| Module | Metal Grey  | White RAL 9003 | Anthracite  |  |
|--------|-------------|----------------|-------------|---|
| 300    | 644.230.145 | 644.230.134    | 644.230.834 | 20  |
| 350    | 644.235.141 | 644.235.130    | 644.235.830 |   |
| 400    | 644.240.144 | 644.240.133    | 644.240.833 |   |
| 450    | 644.245.140 | 644.245.136    | 644.245.836 |   |
| 500    | 644.250.143 | 644.250.132    | 644.250.832 |   |
| 600    | 644.260.142 | 644.260.131    | 644.260.831 |   |
| 700    | 644.270.141 | 644.270.130    | 644.270.830 |   |
| 800    | 644.280.140 | 644.280.136    | 644.280.836 |   |
| 900    | 644.290.146 | 644.290.135    | 644.290.835 |   |
| 1000   | 644.291.141 | 644.291.130    | 644.291.830 |   |
| 1200   | 644.299.143 | 644.299.132    | 644.299.832 |   |





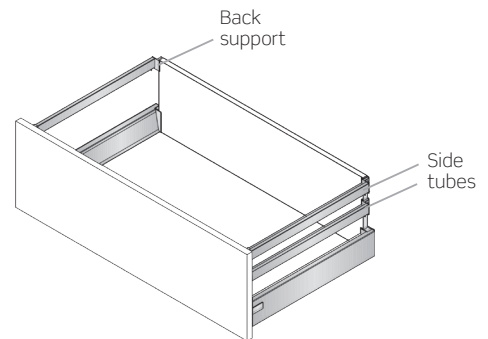
■ Components for H84, H116 and H172 drawer with multiple side tubes



Side tubes set

| Depth | Metal Grey  | White RAL 9003 | Anthracite  |  |
|-------|-------------|----------------|-------------|---|
| 270   | 645.327.141 | 645.327.130    | 645.327.830 | 20  |
| 350   | 645.335.143 | 645.335.132    | 645.335.832 |   |
| 400   | 645.340.146 | 645.340.135    | 645.340.835 |   |
| 450   | 645.345.142 | 645.345.131    | 645.345.831 |   |
| 500   | 645.350.145 | 645.350.134    | 645.350.834 |   |
| 550   | 645.355.141 | 645.355.130    | 645.355.830 |   |
| 600   | 645.360.144 | 645.360.133    | 645.360.833 |   |

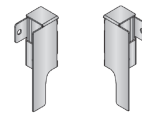
Each reference consists of 2 side tubes and a bag with covers and back supports.




Wooden back adapter H87

|  | Grey        | White RAL 9003 | Anthracite  |  |
|--|-------------|----------------|-------------|---|
|  | 645.700.145 | 645.700.134    | 645.700.834 | 40  |

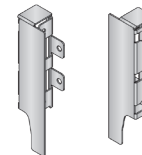
1 set.



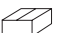
Wooden back adapter H119

|  | Grey        | White RAL 9003 | Anthracite  |  |
|--|-------------|----------------|-------------|---|
|  | 645.719.141 | 645.719.130    | 645.719.830 | 40  |

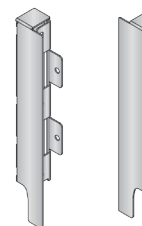
1 set.



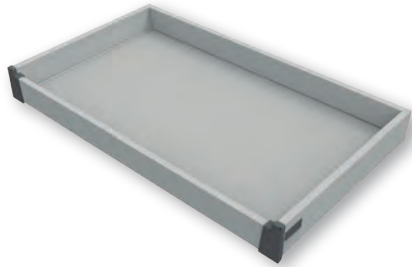
Wooden back adapter H175

|  | Grey        | White RAL 9003 | Anthracite  |  |
|--|-------------|----------------|-------------|---|
|  | 645.775.141 | 645.775.130    | 645.775.830 | 40  |


1 set.

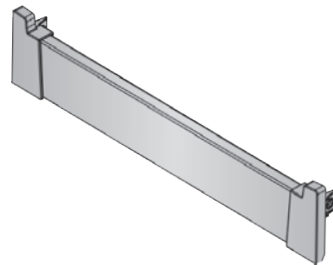


■ Components for H84 interior drawer




Interior H84 drawer front, premounted

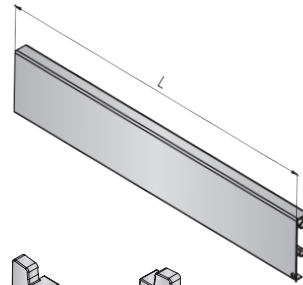
| Module | Metal Grey  | White RAL 9003 | Anthracite  |  |
|--------|-------------|----------------|-------------|---|
| 300    | 647.630.141 | 647.630.130    | 647.630.830 |   |
| 350    | 647.635.144 | 647.635.133    | 647.635.833 |   |
| 400    | 647.640.140 | 647.640.136    | 647.640.836 |   |
| 450    | 647.645.143 | 647.645.132    | 647.645.832 |   |
| 500    | 647.650.146 | 647.650.135    | 647.650.835 |   |
| 600    | 647.660.145 | 647.660.134    | 647.660.834 | 20  |
| 700    | 647.670.144 | 647.670.133    | 647.670.833 |   |
| 800    | 647.680.143 | 647.680.132    | 647.680.832 |   |
| 900    | 647.690.142 | 647.690.131    | 647.690.831 |   |
| 1000   | 647.691.144 | 647.691.133    | 647.691.833 |   |
| 1200   | 647.699.146 | 647.699.135    | 647.699.835 |   |




Interior H84 drawer front

| L    | Grey        | White RAL 9003 | Anthracite  |  |
|------|-------------|----------------|-------------|---|
| 1075 | 671.107.146 | 671.107.135    | 671.107.835 | 20  |

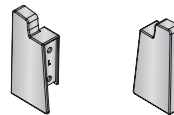
C16: L=M.I.-93 / C19: L=M.I.-87




Bag of components for interior H84 drawer front

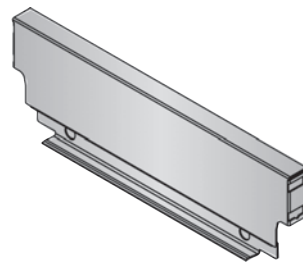
|  | White RAL 9003 | Grey        |  |
|--|----------------|-------------|---|
|  | 662.500.134    | 662.500.145 | 20  |

Each bag contains 1 right and 1 left adapter and 1 bag of drawer side front brackets.




Steel back H87

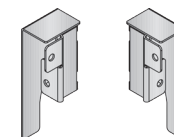
| Module | Metal Grey  | White RAL 9003 | Anthracite  |  |
|--------|-------------|----------------|-------------|---|
| 300    | 644.030.144 | 644.030.133    | 644.030.833 |   |
| 350    | 644.035.140 | 644.035.136    | 644.035.836 |   |
| 400    | 644.040.143 | 644.040.132    | 644.040.832 |   |
| 450    | 644.045.146 | 644.045.135    | 644.045.835 |   |
| 500    | 644.050.142 | 644.050.131    | 644.050.831 |   |
| 600    | 644.060.141 | 644.060.130    | 644.060.830 | 20  |
| 700    | 644.070.140 | 644.070.136    | 644.070.836 |   |
| 800    | 644.080.146 | 644.080.135    | 644.080.835 |   |
| 900    | 644.090.145 | 644.090.134    | 644.090.834 |   |
| 1000   | 644.091.140 | 644.091.136    | 644.091.836 |   |
| 1200   | 644.099.142 | 644.099.131    | 644.099.831 |   |



Wooden back adapter H87

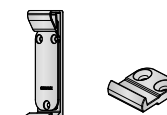
|  | Grey        | White RAL 9003 | Anthracite  |  |
|--|-------------|----------------|-------------|---|
|  | 645.000.145 | 645.000.134    | 645.000.834 | 40  |

1 set.

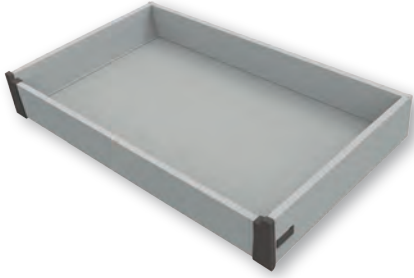


Connector for interior drawer

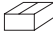
|  | White Ral 9003 | Grey Ral 7043 |  |
|--|----------------|---------------|---|
|  | 662.590.132    | 662.590.143   | 10  |



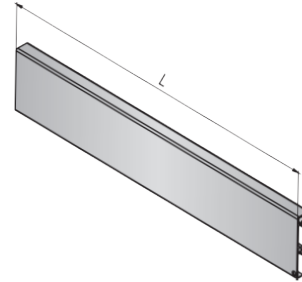
■ Components for H116 interior drawer



Interior H116 drawer front

| L    | Grey        | White RAL 9003 | Anthracite  |  |
|------|-------------|----------------|-------------|---|
| 1075 | 671.410.143 | 671.410.132    | 671.410.832 | 20  |

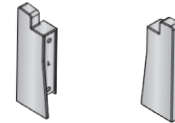
C16: L=M.I.-93 / C19: L=M.I.-87




Bag of components for interior H116 drawer front

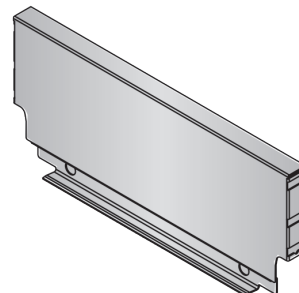
|  | White RAL 9003 | Grey        |  |
|--|----------------|-------------|---|
|  | 662.516.131    | 662.516.142 | 20  |

Each bag contains 1 right and 1 left adapter and 1 bag of drawer side front brackets.




Steel back H119

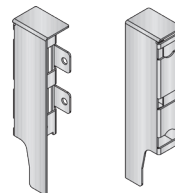
| Module | Metal Grey  | White RAL 9003 | Anthracite  |  |
|--------|-------------|----------------|-------------|---|
| 300    | 644.130.141 | 644.130.130    | 644.130.830 | 20  |
| 350    | 644.135.144 | 644.135.133    | 644.135.833 |   |
| 400    | 644.140.140 | 644.140.136    | 644.140.836 |   |
| 450    | 644.145.143 | 644.145.132    | 644.145.832 |   |
| 500    | 644.150.146 | 644.150.135    | 644.150.835 |   |
| 600    | 644.160.145 | 644.160.134    | 644.160.834 |   |
| 700    | 644.170.144 | 644.170.133    | 644.170.833 |   |
| 800    | 644.180.143 | 644.180.132    | 644.180.832 |   |
| 900    | 644.190.142 | 644.190.131    | 644.190.831 |   |
| 1000   | 644.191.144 | 644.191.133    | 644.191.833 |   |
| 1200   | 644.199.146 | 644.199.135    | 644.199.835 |   |



Wooden back adapter H119

|  | Grey        | White RAL 9003 | Anthracite  |  |
|--|-------------|----------------|-------------|---|
|  | 645.100.142 | 645.100.131    | 645.100.831 | 40  |


1 set.



■ Components for H172 interior drawer




Interior H172 drawer front

| L    | Grey        | White RAL 9003 | Anthracite  |  |
|------|-------------|----------------|-------------|---|
| 1075 | 671.410.143 | 671.410.132    | 671.410.832 | 20  |


C16: L=M.I.-93  
C19: L=M.I.-87

Interior H172 drawer tube

| L    | Grey        | White RAL 9003 | Anthracite  |  |
|------|-------------|----------------|-------------|---|
| 1110 | 671.511.142 | 671.511.131    | 671.511.831 | 20  |


C16: L=M.I.-58  
C19: L=M.I.-52

Bag of components for interior H172 drawer front


|  | White RAL 9003 | Grey        |  |
|--|----------------|-------------|---|
|  | 662.572.131    | 662.572.142 | 20  |

Each bag contains 1 right and 1 left adapter and 1 bag of drawer side front brackets.

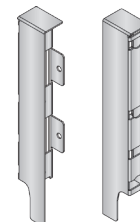
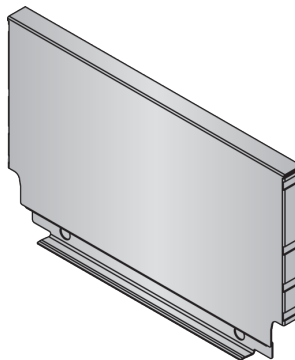
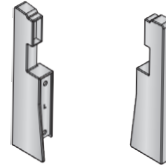
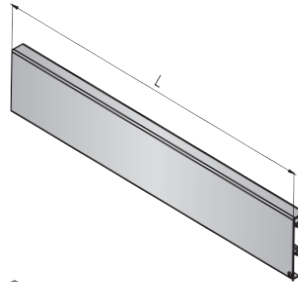
Steel back H175

| Module | Metal Grey  | White RAL 9003 | Anthracite  |  |
|--------|-------------|----------------|-------------|---|
| 300    | 644.230.145 | 644.230.134    | 644.230.834 | 20  |
| 350    | 644.235.141 | 644.235.130    | 644.235.830 |   |
| 400    | 644.240.144 | 644.240.133    | 644.240.833 |   |
| 450    | 644.245.140 | 644.245.136    | 644.245.836 |   |
| 500    | 644.250.143 | 644.250.132    | 644.250.832 |   |
| 600    | 644.260.142 | 644.260.131    | 644.260.831 |   |
| 700    | 644.270.141 | 644.270.130    | 644.270.830 |   |
| 800    | 644.280.140 | 644.280.136    | 644.280.836 |   |
| 900    | 644.290.146 | 644.290.135    | 644.290.835 |   |
| 1000   | 644.291.141 | 644.291.130    | 644.291.830 |   |
| 1200   | 644.299.143 | 644.299.132    | 644.299.832 |   |

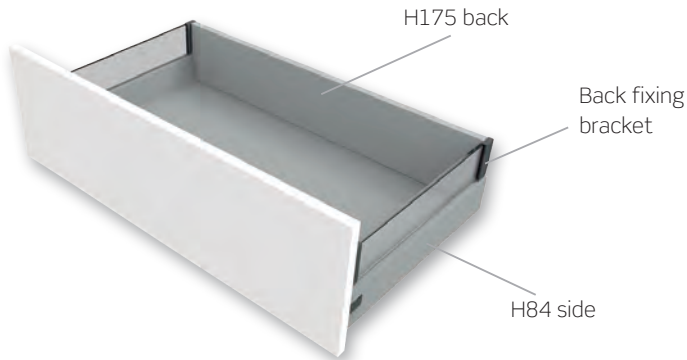
Wooden back adapter H175

|  | Grey        | White RAL 9003 | Anthracite  |  |
|--|-------------|----------------|-------------|---|
|  | 645.200.146 | 645.200.135    | 645.200.835 | 40  |

1 set.



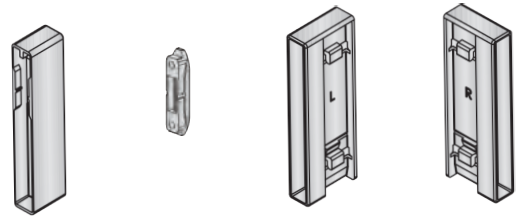
■ Components for H84 drawer with glass side add-on



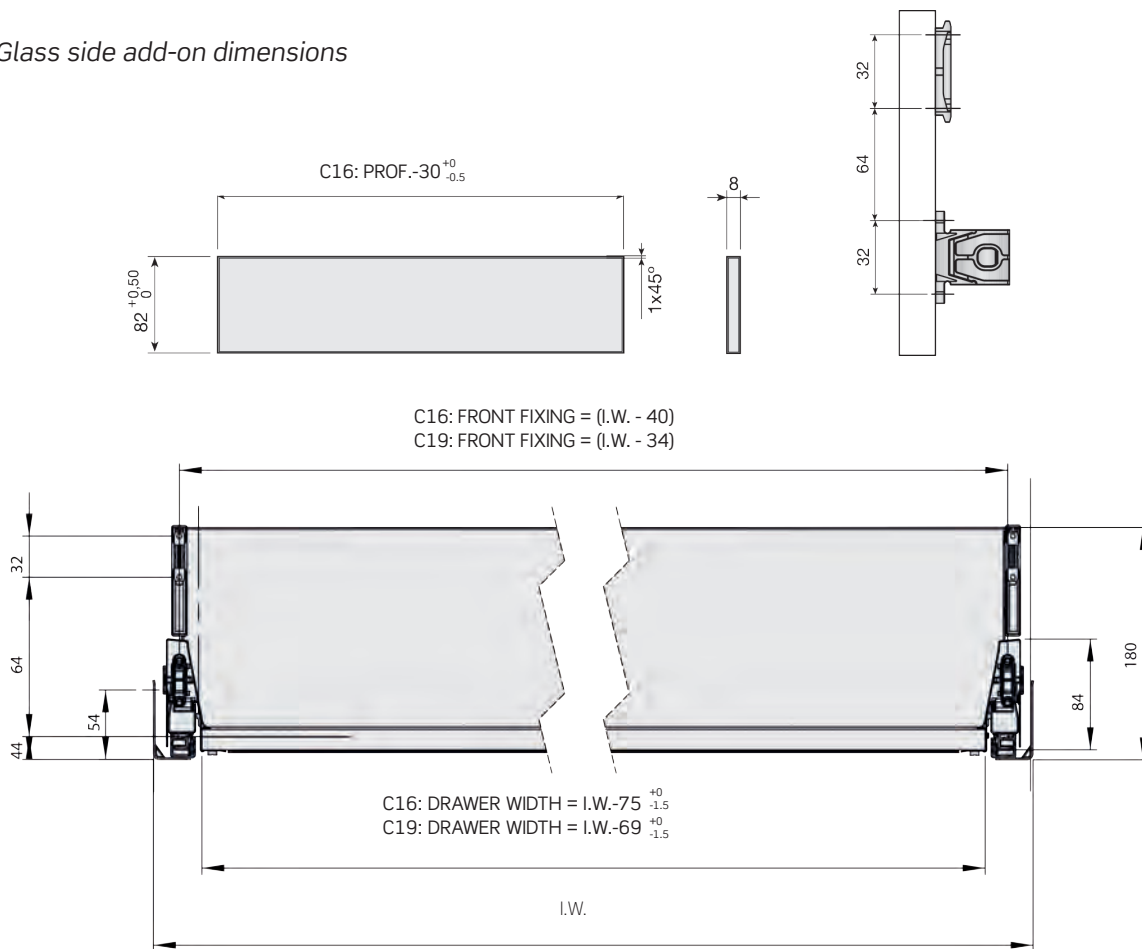
Glass side fixing brackets

|  | Grey        | White RAL 9003 |    |
|--|-------------|----------------|----|
|  | 648.000.146 | 648.000.135    | 10 |

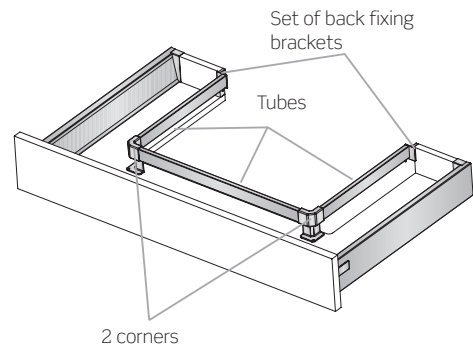
Each reference consists of 1 complete set of front and back fixing brackets. Glass side is not included.



Glass side add-on dimensions



■ Components for H84 under-sink drawer with 1 tube

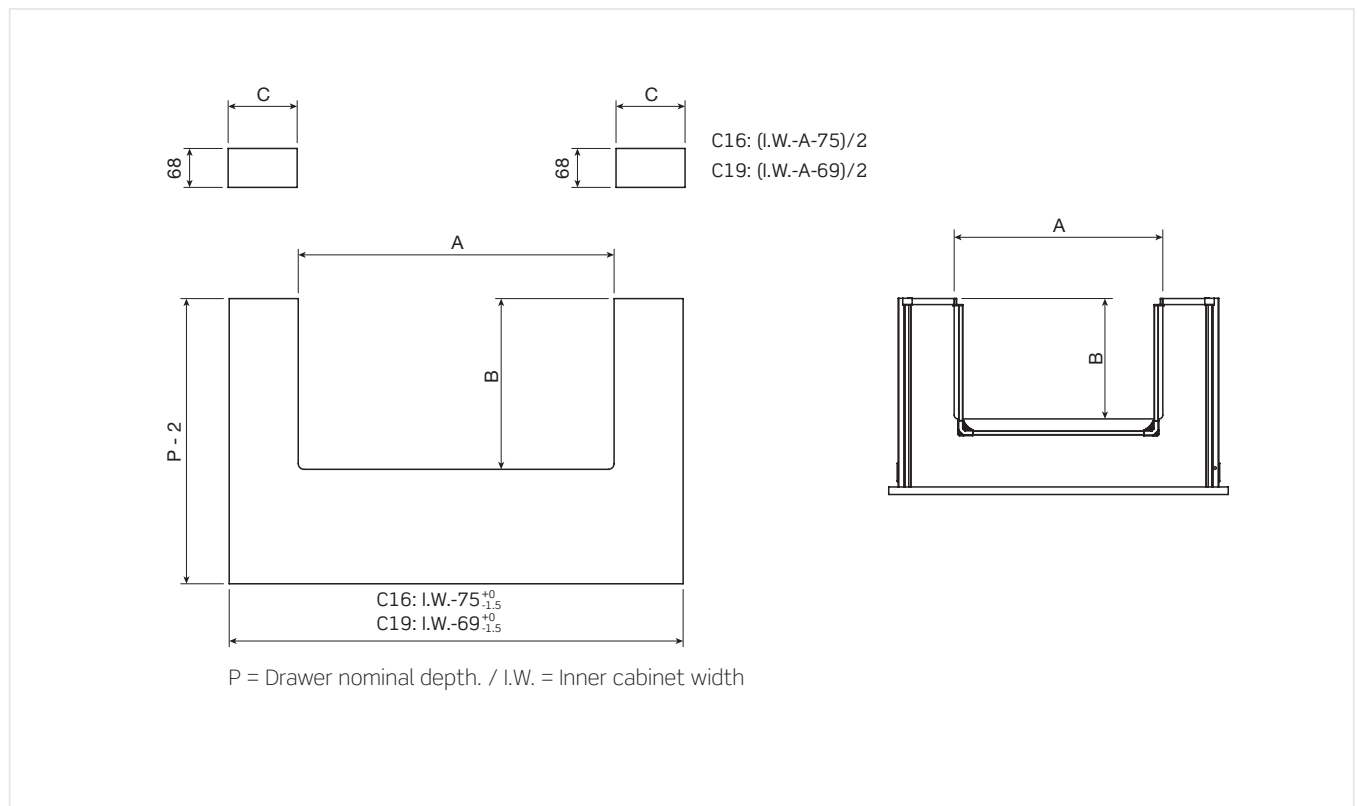


Accessories set for under-sink drawer with 1 tube

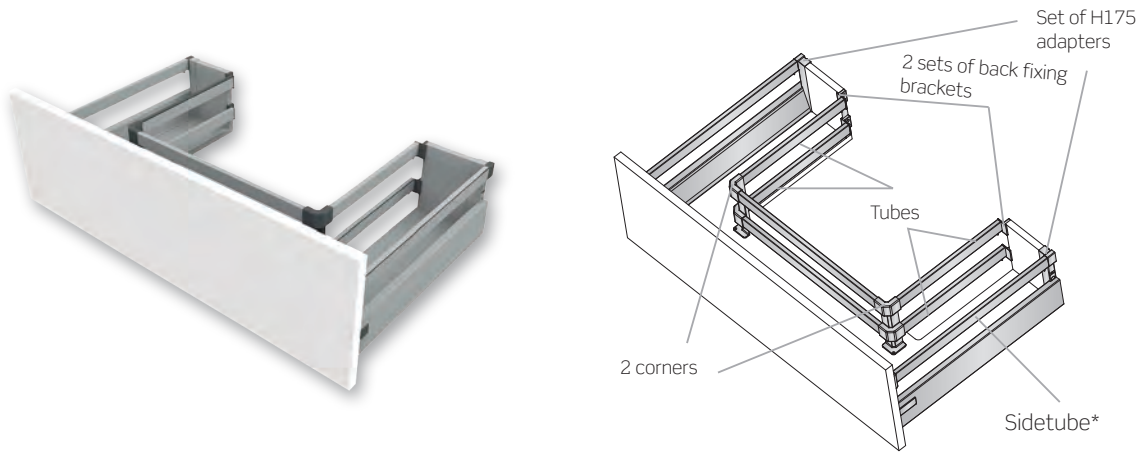
|       | Grey        | White RAL 9003 | Anthracite  |  |
|-------|-------------|----------------|-------------|---|
| 1 set | 671.600.145 | 671.600.134    | 671.600.834 | 10  |

Each reference consists of: 1 tube L=1110 mm. + 2 tubes L=350mm. + 1 set of H87 adapters + 1 set of back fixing brackets + 2 simple corners.

Drawer base and back dimensions



■ Components for H84, H116 and H172 under-sink drawer with 2 tubes



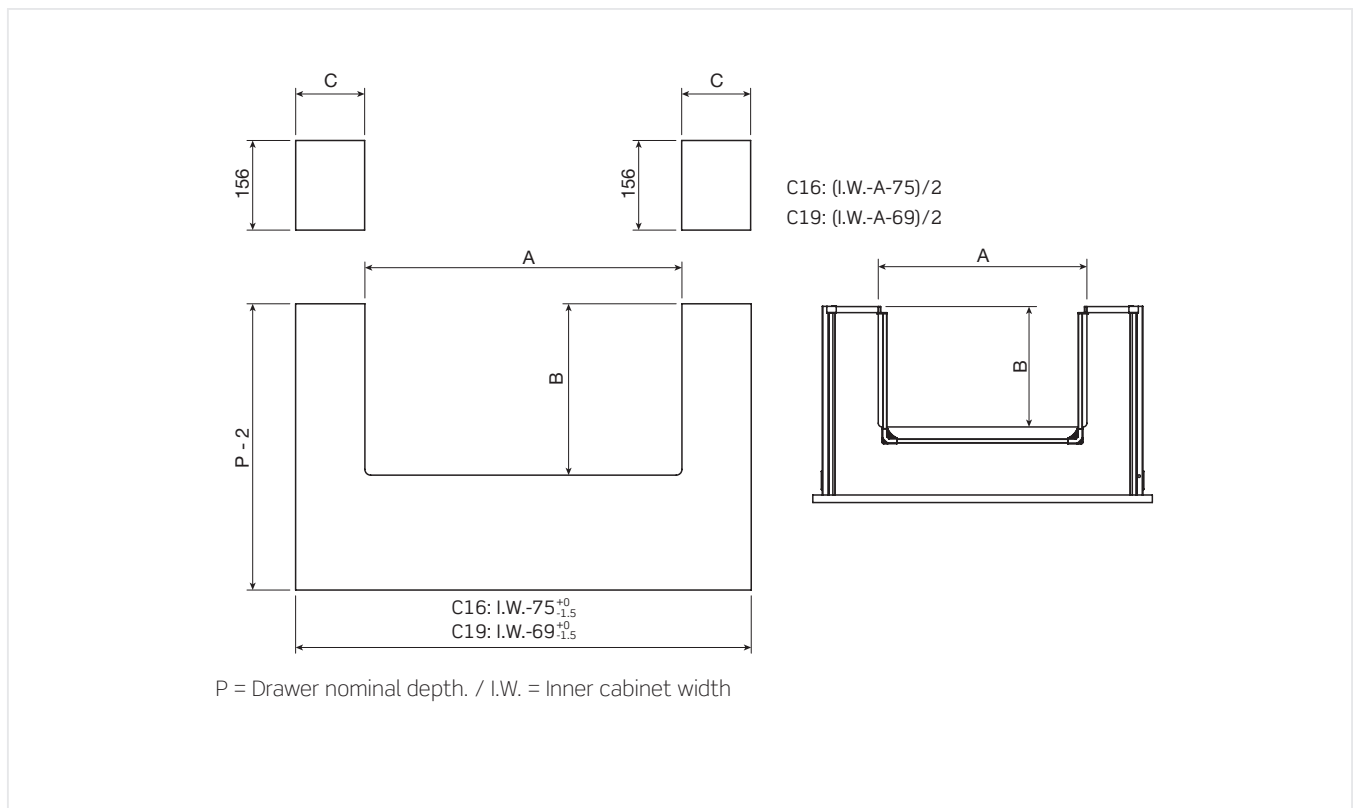
Accessories set for under-sink drawer with 2 tubes

|       | Grey        | White RAL 9003 | Anthracite  |  |
|-------|-------------|----------------|-------------|--|
| 1 set | 671.700.142 | 671.700.131    | 671.700.831 | 5  |

Each reference consists of: 2 tubes L=1110 mm. + 4 tubes L=350mm. + 1 set of H175 adapters + 2 sets of back fixing brackets + 2 double corners.


\*Sidetube not included.

Drawer base and back dimensions

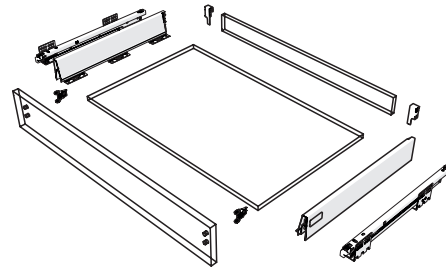


### 3 ARIANE KITS

#### Ariane kit H84 for wooden back and full extension runner.

| Depth | White RAL9003 | Metal Grey  | Anthracite  |  |
|-------|---------------|-------------|-------------|---|
| 270   | 643.027.136   | 643.027.140 | 643.027.836 | 160   |
| 350   | 643.035.131   | 643.035.142 | 643.035.831 |   |
| 400   | 643.040.134   | 643.040.145 | 643.040.834 |   |
| 450   | 643.045.130   | 643.045.141 | 643.045.830 |   |
| 500   | 643.050.133   | 643.050.144 | 643.050.833 |   |
| 550   | 643.055.136   | 643.055.140 | 643.055.836 |   |
| 600   | 643.060.132   | 643.060.143 | 643.060.832 |   |

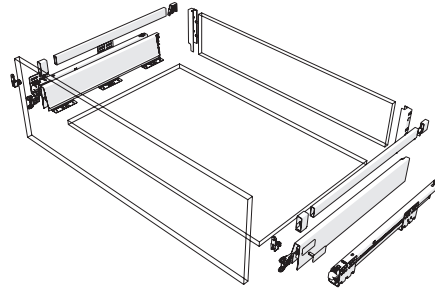
Each reference consist of 1 set of sides, 1 set of runners, 1 set of back adaptors, 1 set of front adaptors with covers and assembly instructions.




#### Ariane kit H84 with a side tube for wooden back and full extension runner.

| Depth | Metal Grey  |  |
|-------|-------------|---|
| 500   | 643.350.142 | 160   |

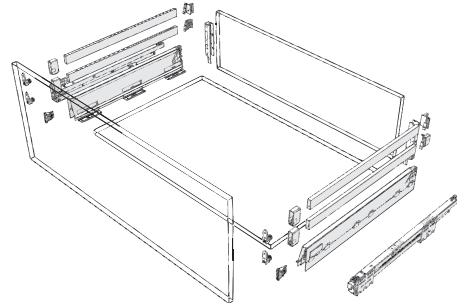
Each reference consist of 1 set of sides, 1 set of runners, 1 set of back adaptors, 1 set of front adaptors with covers, 1 set of side tubes with adaptors and assembly instructions.




#### Ariane kit H84 with two side tubes for wooden back and full extension runner.

| Depth | Metal Grey  |  |
|-------|-------------|---|
| 500   | 643.351.144 | 160   |

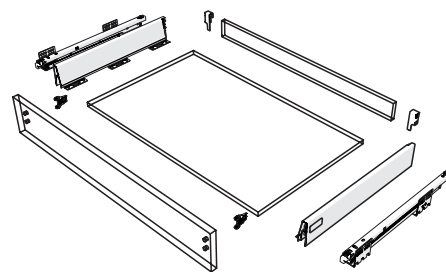
Each reference consist of 1 set of sides, 1 set of runners, 1 set of back adaptors, 1 set of front adaptors with covers, 2 set of side tubes with adaptors and assembly instructions.



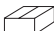
#### Ariane kit H116 for wooden back and full extension runner.

| Depth | White RAL9003 | Metal Grey  | Anthracite  |  |
|-------|---------------|-------------|-------------|---|
| 270   | 643.127.133   | 643.127.144 | 643.127.833 | 160   |
| 350   | 643.135.135   | 643.135.146 | 643.135.835 |   |
| 400   | 643.140.131   | 643.140.142 | 643.140.831 |   |
| 450   | 643.145.134   | 643.145.145 | 643.145.834 |   |
| 500   | 643.150.130   | 643.150.141 | 643.150.830 |   |
| 550   | 643.155.133   | 643.155.144 | 643.155.833 |   |
| 600   | 643.160.136   | 643.160.140 | 643.160.836 |   |

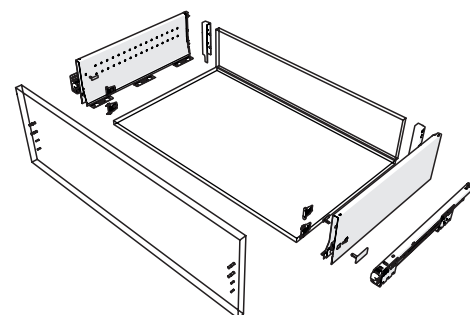
Each reference consist of 1 set of sides, 1 set of runners, 1 set of back adaptors, 1 set of front adaptors with covers and assembly instructions.



#### Ariane kit H172 for wooden back and full extension runner.

| Depth | White RAL9003 | Metal Grey  | Anthracite  |  |
|-------|---------------|-------------|-------------|---|
| 270   | 643.227.130   | 643.227.141 | 643.227.830 | 160   |
| 350   | 643.235.132   | 643.235.143 | 643.235.832 |   |
| 400   | 643.240.135   | 643.240.146 | 643.240.835 |   |
| 450   | 643.245.131   | 643.245.142 | 643.245.831 |   |
| 500   | 643.250.134   | 643.250.145 | 643.250.834 |   |
| 550   | 643.255.130   | 643.255.141 | 643.255.830 |   |
| 600   | 643.260.133   | 643.260.144 | 643.260.833 |   |

Each reference consist of 1 set of sides, 1 set of runners, 1 set of back adaptors, 1 set of front adaptors with covers and assembly instructions.



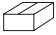


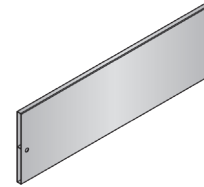
4 ACCESSORIES

■ Cross dividers, dividers




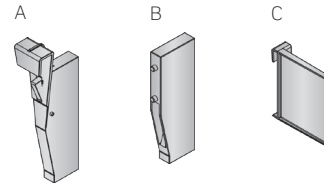
Cross dividers

| Module | Metal Grey  | White RAL 9003 | Anthracite  |  |
|--------|-------------|----------------|-------------|---|
| 450    | 644.645.142 | 644.645.131    | 644.645.831 | 20  |
| 600    | 644.660.144 | 644.660.133    | 644.660.833 |   |
| 900    | 644.690.141 | 644.690.130    | 644.690.830 |   |
| 1200   | 644.699.145 | 644.699.134    | 644.699.834 |   |

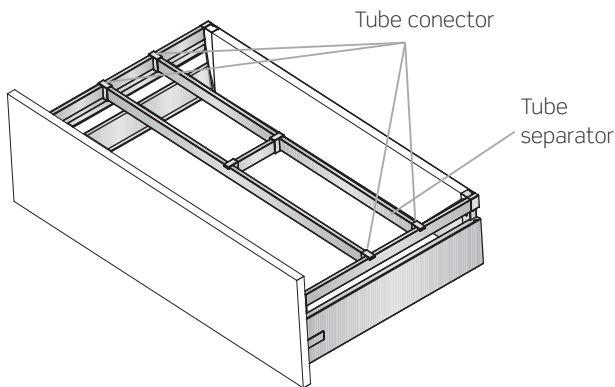


Dividers


|                    | Grey        | White RAL 9003 |  |
|--------------------|-------------|----------------|---|
| A - For side tube  | 644.800.144 | 644.800.133    | 40  |
| B - For 172 drawer | 644.900.141 | 644.900.130    |   |
| C - Divider        | 644.500.146 | 644.500.135    |   |

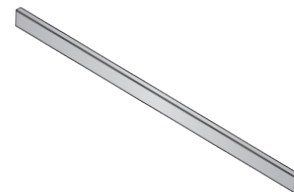


■ Tube separator, tube conector




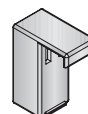
Tube separator

| L    | Metal Grey  | White RAL 9003 | Anthracite  |  |
|------|-------------|----------------|-------------|---|
| 1110 | 671.511.142 | 671.511.131    | 671.511.831 | 20  |



Tube conector

|  | Grey        | White RAL 9003 |  |
|--|-------------|----------------|---|
|  | 644.810.143 | 644.810.132    | 40  |




Each reference consists of 1 item.

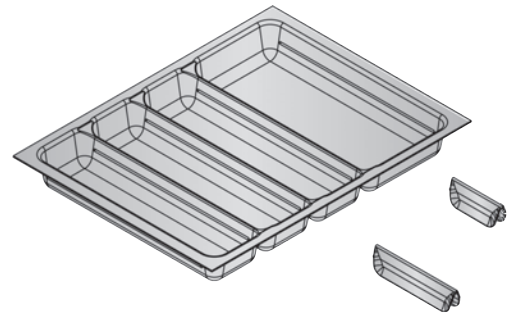
Cutlery trays




500 mm deep cutlery tray with dividers

| Module | Short divider | Long divider | Metal Grey  | White Ral9003 |  |
|--------|---------------|--------------|-------------|---------------|---|
| 350    | 2             | 2            | 663.235.145 | 663.235.134   | 10  |
| 400    | 2             | 2            | 663.240.141 | 663.240.130   |   |
| 450    | 3             | 2            | 663.245.144 | 663.245.133   |   |
| 500    | 3             | 2            | 663.250.140 | 663.250.136   |   |
| 550    | 4             | 2            | 663.255.143 | 663.255.132   |   |
| 600    | 4             | 2            | 663.260.146 | 663.260.135   |   |
| 800    | 9             | 4            | 663.280.144 | 663.280.133   |   |
| 900    | 9             | 4            | 663.290.143 | 663.290.132   |   |
| 1000   | 9             | 4            | 663.291.145 | 663.291.134   |   |
| 1200   | 12            | 5            | 663.299.140 | 663.299.136   |   |

Each reference consists of 1 cutlery tray + bag of dividers.



500 mm deep cutlery tray with dividers, for interior drawer

| Module | Short divider | Long divider | Metal Grey  | White Ral9003 |  |
|--------|---------------|--------------|-------------|---------------|---|
| 600    | 4             | 2            | 664.160.140 | 664.160.136   | 10  |
| 800    | 9             | 4            | 664.180.145 | 664.180.134   |   |
| 900    | 9             | 4            | 664.190.144 | 664.190.133   |   |

Each reference consists of 1 cutlery tray + bag of dividers.

5 ELEMENTS TO ASSIST WITH ARIANE DRAWERS' ASSEMBLY

Set of front adaptors with marking tips.

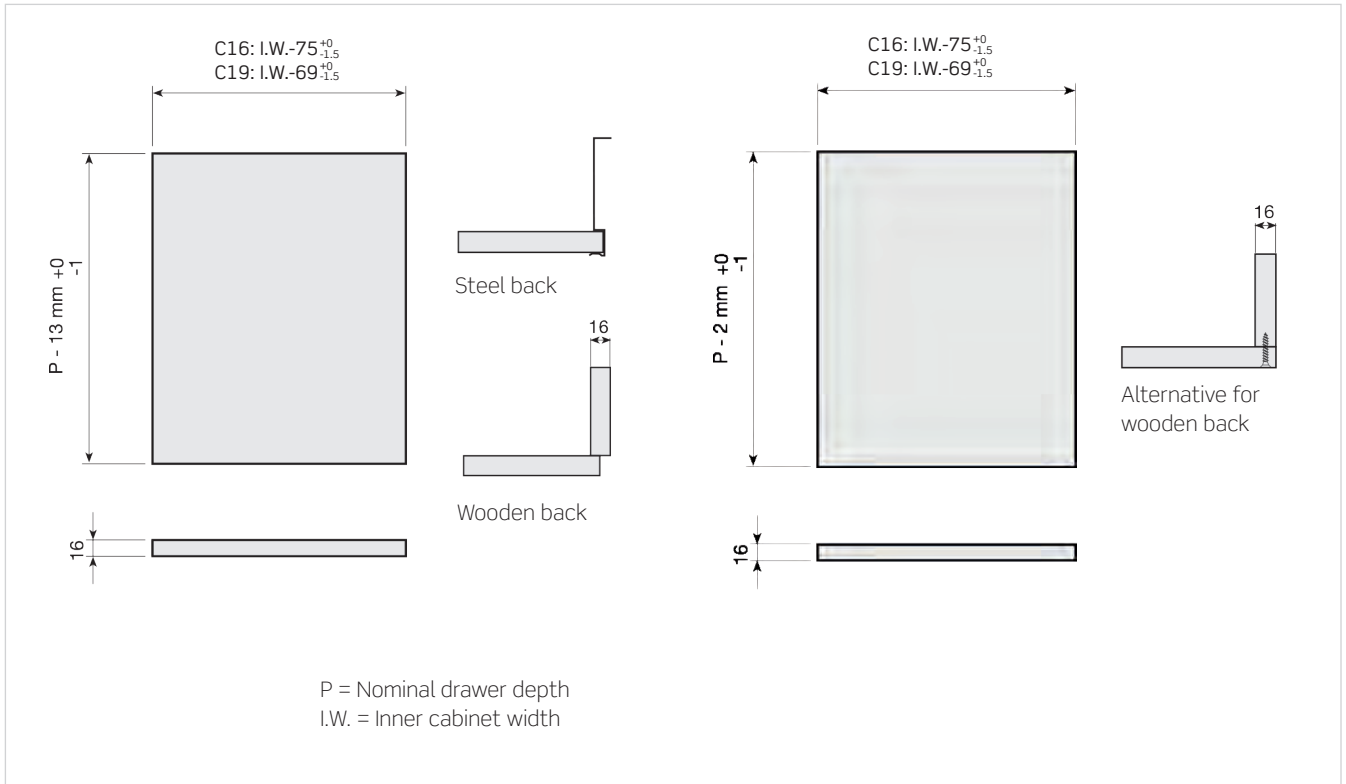
|             |   |    |
|-------------|---|----|
| 752.400.106 |  | 40 |
|-------------|---|----|



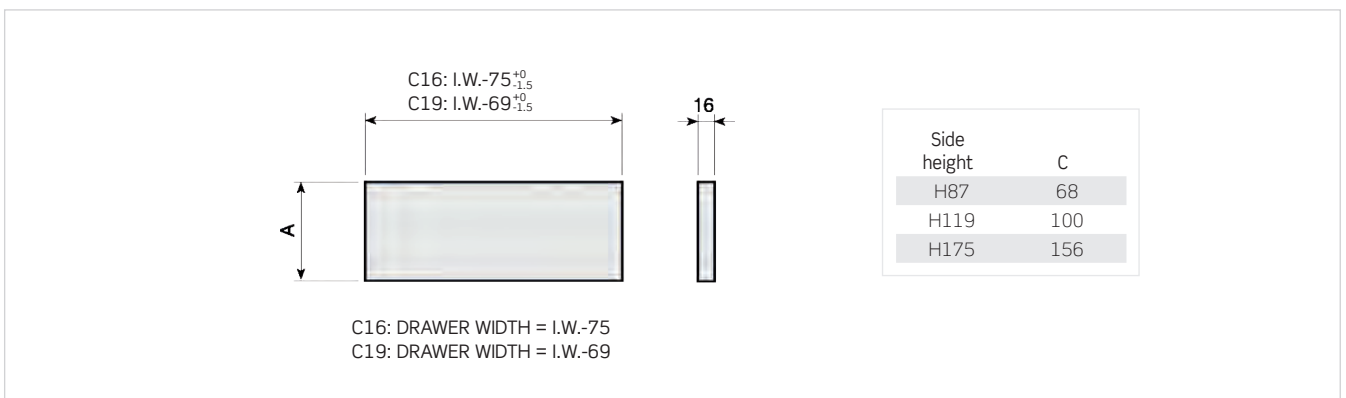
6 TECHNICAL INFORMATION

Drawer base dimensions

Base



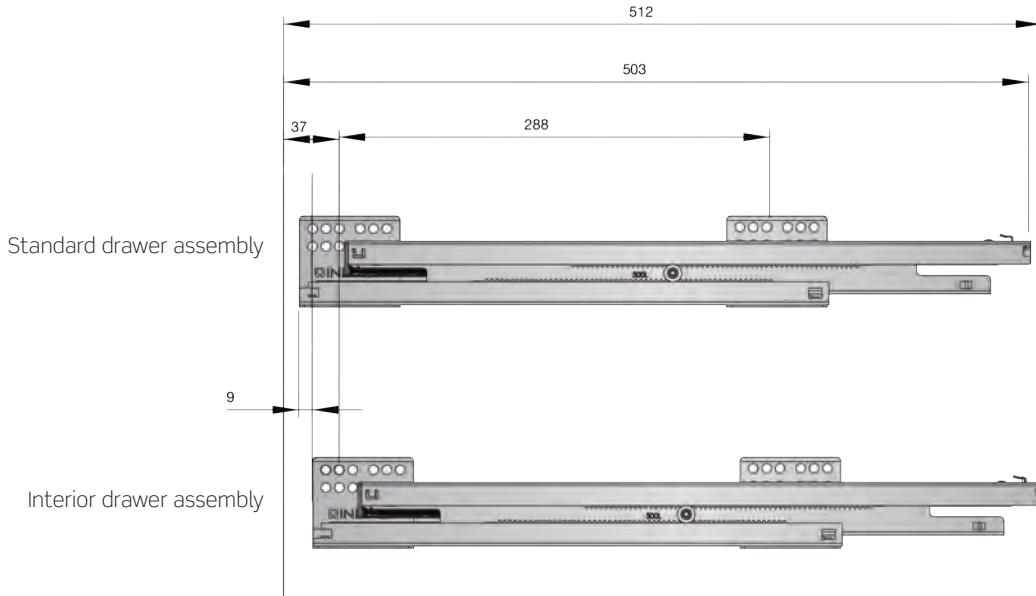
Back



■ Drilling and positioning for the drawer runner

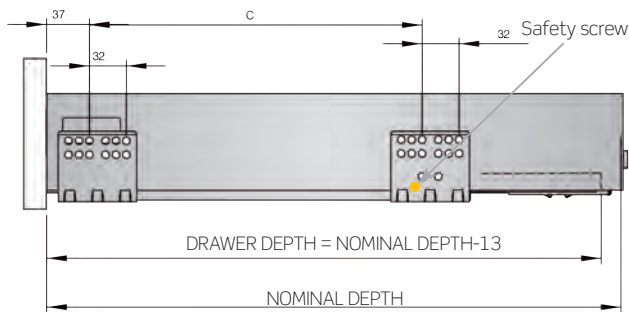


Full extension runner

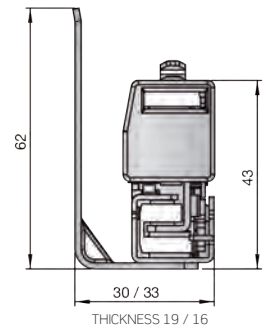


Needs a free cabinet depth of:

Standard drawer: 504 mm.  
Interior drawer: 513 mm.

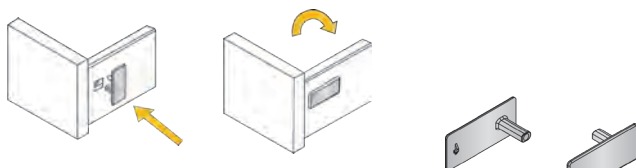


| Drawer Depth | C   |
|--------------|-----|
| 270          | 160 |
| 350          | 192 |
| 400          | 224 |
| 450          | 224 |
| 500          | 288 |
| 550          | 288 |
| 600          | 288 |

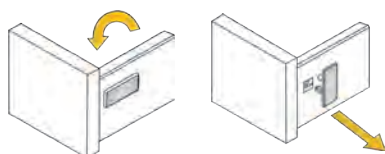


■ Cover cap assembly and disassembly

Assembly

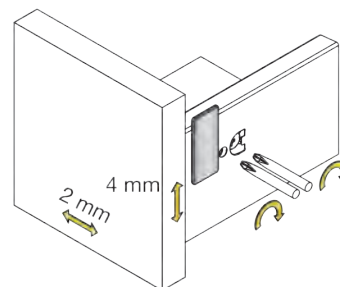


Disassembly

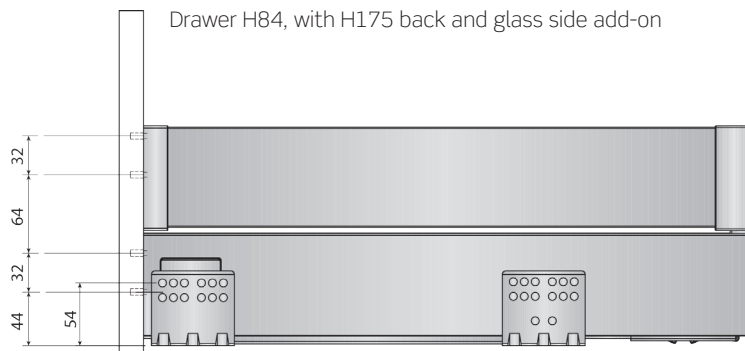
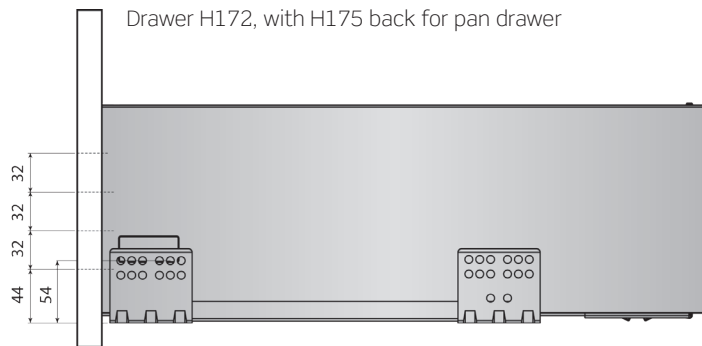
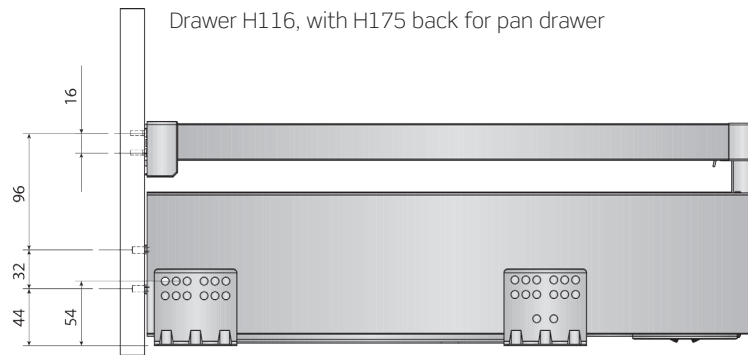
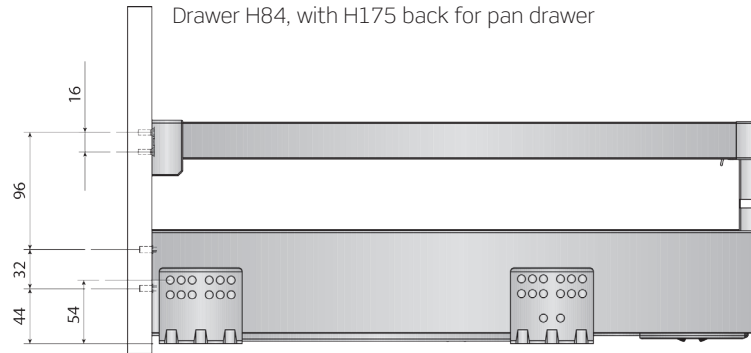


■ Front alignment

Adjust as shown below.

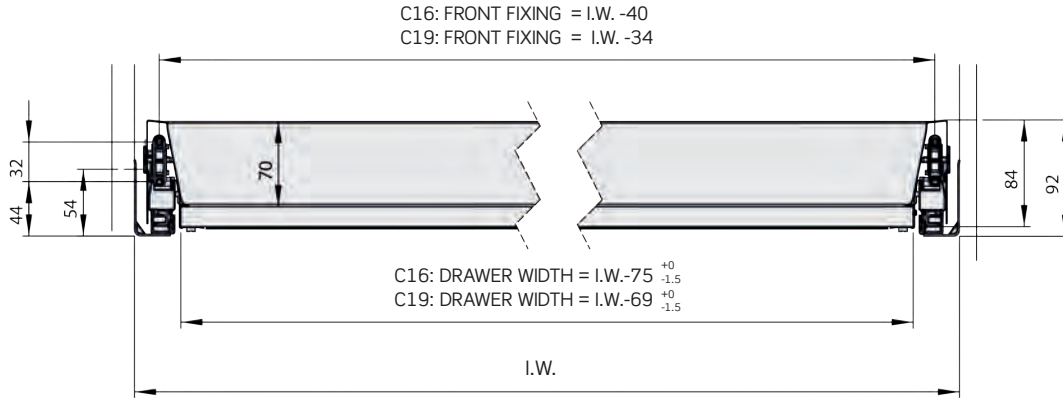


■ Drilling for the drawer front

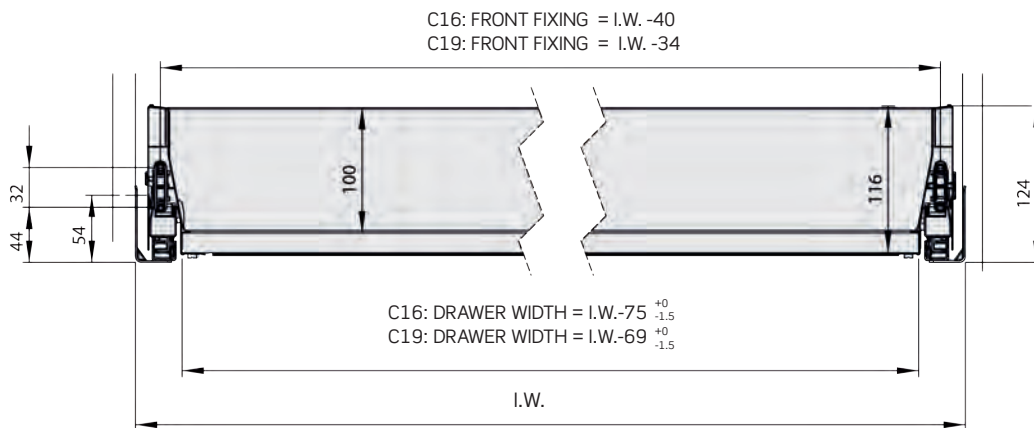


■ Drilling for the drawer front

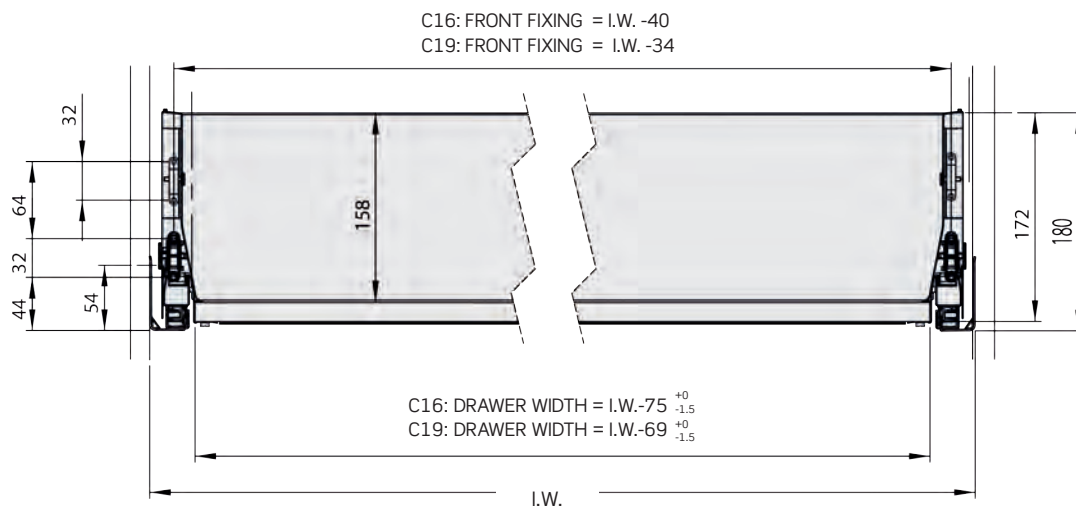
Drawer H84, with H87 back



Drawer H116, with H119 back



Drawer H172, with H175 back for pan drawer



■ Drilling for the drawer front

Drawer H84, with H175 back for pan drawer

C16: FRONT FIXING = I.W. -40  
C19: FRONT FIXING = I.W. -34

C16: DRAWER WIDTH = I.W. -75  $\begin{smallmatrix} +0 \\ -1.5 \end{smallmatrix}$   
C19: DRAWER WIDTH = I.W. -69  $\begin{smallmatrix} +0 \\ -1.5 \end{smallmatrix}$

I.W.

Drawer H84, with H175 back and glass side add-on

C16: FRONT FIXING = I.W. -40  
C19: FRONT FIXING = I.W. -34

C16: DRAWER WIDTH = I.W. -75  $\begin{smallmatrix} +0 \\ -1.5 \end{smallmatrix}$   
C19: DRAWER WIDTH = I.W. -69  $\begin{smallmatrix} +0 \\ -1.5 \end{smallmatrix}$

I.W.

Drilling for upper and lower fixing bracket for H172 drawer

32 mm  
64 mm

Upper cover cap assembly

Interior drawers parts

