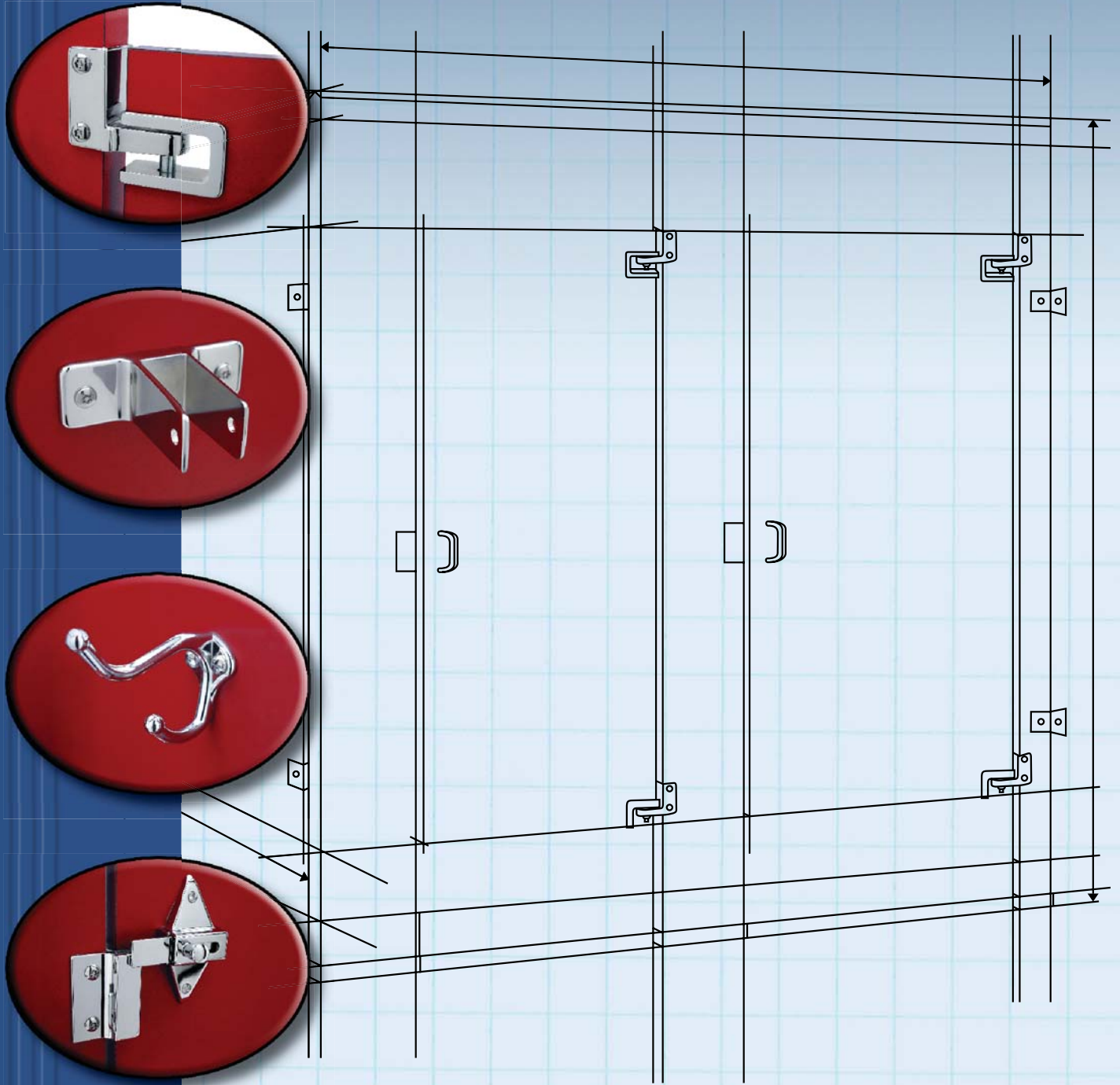


The Hardware Makes the Difference



TOILET PARTITION HARDWARE

Order anytime, 24/7 at www.jacknob.com

CONTENTS

	PAGE		PAGE
ALCOVE CLIPS	24	PACKS	
ANCHORS	21	ALCOVE	9
ANGLE BRACKETS	10, 11, 12	ANGLE BRACKET	9
CAMS	23	DOOR HARDWARE-INSWING	4
CURTAIN RODS		DOOR HARDEARE-OUTSWING	4
FLANGE	25	DOOR HARDWARE-REPLACEMENTS	5
HOOK	24	HEADRAIL	9
DOOR INSERTS	22	PANEL	8
DOOR PULLS	19	PILASTER	8
DOOR STOPS	18	SURFACE MOUNTED HINGES-INSWING	6
FASTENERS		SURFACE MOUNTED HINGES-OUTSWING	7
ONE WAY	27	URINAL SCREEN	9
SCREW PACK	26	PAPER HOLDERS	25
SIX-LOBE	27	PILASTER	
MISCELLANEOUS	26, 27	ANCHOR	21
FIX-IT KITS		ANCHOR PACK	21
HOOKS	19	CAP	24
LATCHES	19	SHOE	20
FLANGES	25	SUPPORT	20, 21
HEADRAIL		POUCH	42
ALUMINUM EXTRUDED	25	PINS	23
BRACKETS	25	PINTLES	23
END PLUGS	24	SHOES	20
HEAT SINKS	24	STRIKES	14, 15
HINGES		TOOLS	27
NYLON INSERTS (CAM, PINTLE, PIN)	23	TUBES	24
PIANO	13	WALL BRACKETS	
SURFACE	13	ALUMINUM EXTRUDED	12
WRAP-AROUND PIVOT	16, 17	CAST (BRASS, STAINLESS, ZINC)	10
HOOKS		STAINLESS STAMPED	11
BUMPER	18	REPLACEMENT PARTS BY MANUFACTURER	28-35
CURTAIN	24		
KEEPERS	14, 15		
LATCHES			
CONCEALED	19		
SLIDE	18		
THROW	18		

TERMS & CONDITIONS OF SALE

TITLE & RISK OF LOSS:

Title and risk of loss shall pass to Buyer on delivery of goods to a carrier selected by Seller or a carrier requested by Buyer. Buyer shall accept and inspect all shipments immediately upon arrival and shall file claims with or against the carrier for any losses, shortages, or damages of any kind. All claims including shortages must be filed in writing within 10 days after receipt of goods.

DELAYS:

Specified delivery dates are subject to availability of material and labor. Seller shall not be liable for, and at it's election, shall be excused from performance of orders if it's failure to perform is due to fire, flood, acts of God, explosion, labor difficulties, mechanical breakdown, accidents, prior commitments, priority of Government orders or any other cause beyond Seller's control. Any such reasons for delay shall extend the time for performance of the order by the number of days required to correct the cause of delay.

RETURNS:

Material made-to-order is not returnable. Stock material is only returnable when permission (RGA #) has been granted by Seller, and is subject to handling and refinishing charges (minimum 20%). Shipping charges on all returned goods must be prepaid. We require invoice number and date of sale with returned goods, and permission for return must be requested in writing within 30 days after receipt of merchandise.

POLICY:

Seller reserves the right in it's sole discretion to refuse acceptance of any order from any source at any time. Quotations are valid for a period of thirty (30) days from the date of issue, unless otherwise noted. Orders based on quotations which are more than thirty (30) days old shall not be accepted unless and until the original quotation is confirmed.

TERMS:

Net 30 to rated firms. All other orders are to be prepaid or shipped C.O.D. unless otherwise specified. In the event that Seller takes any action to enforce it's legal rights in connection with any sale and purchase, or to collect any sums due there from, the Buyer shall pay all cost of any such action, including, but not limited to, reasonable attorney's fees and costs, and reasonable attorney's fees and costs on appeal.

WARRANTY/LIMIT OF LIABILITY:

JACKNOB Corp. (hereinafter Seller) warrants all of our hardware for a period of ten (10) years from the date of original purchase (hereinafter Warranty Period) against manufacturing defects. Failure or damage due to vandalism, misuse, improper installation, neglect, war, or "acts of God" is explicitly excluded from said warranty (see Jacknob Tech Care sheets for "Proper Care of Toilet Partition Hardware", and "Proper Installation of Toilet Partition Hardware"). Any warranty claim must be made within the Warranty Period. All warranty claims must be accompanied by the defective hardware (returned in accordance with Seller's return policy) along with proof of purchase consisting of the Jacknob invoice said hardware was purchased on. While Jacknob cannot make particular warranties of any other kind, including the warranty of

the fitness of our hardware for a particular purpose, our Technical Support department will offer suggestions as to the applicability of our hardware for a particular use. Seller's liability for claims of any kind based on any theory of liability including but not limited to negligence, breach of warranty or breach of contract and which arise out of, or connected with, without limitation, the manufacture, sale, delivery, resale, repair or use of any product covered by or furnished by Seller shall be limited to replacement, repair or refund of original purchase price at Seller's exclusive option. Seller shall not be liable for indirect, incidental or consequential damages, of any kind, including but not limited to labor, travel, delivery charges, interruption/loss of business expenses, lost sales, or injury to persons. This provision is intended to be Buyer's exclusive remedy against Seller for the products furnished by Seller.

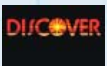
ACCEPTANCE:

Acceptance of Buyer's order is expressly limited to and made conditional upon the terms and conditions contained herein, and any of the Buyer's terms and conditions which in addition to or different from those contained herein which are not separately agreed to in writing by Seller are hereby objected to and shall be of no effect.

SERVICE CHARGES:

A minimum service charge of 1-1/2% per month will be assessed on all past due accounts. This service charge may be increased based upon current money market conditions.

PRICES ARE SUBJECT TO CHANGE WITHOUT PRIOR NOTICE AND ARE F.O.B OUR FACTORY.



ALL MAJOR CREDIT CARDS ARE ACCEPTED.

Entire Contents © 2007 by Jacknob Corp. (Cannot be reproduced without our written permission)

HOW TO CONTACT US



290 Oser Avenue
Hauppauge, NY 11788



Tel.: (631) 231-9400
Fax: (631) 231-0330
Toll Free: (888) 231-9333



custservice@jacknob.com
www.jacknob.com

Our Commitment to Your Satisfaction

For over 60 years, Jacknob has been supplying the highest quality partition hardware and washroom accessories. Manufacturing over 2,400 standard items, as well as a wide range of specialty and private label components, has given us experience and production capabilities unmatched in the industry.

Complete tooling and up-to-date production facilities integrated with our computerized ordering and inventory systems provide efficient service and fast delivery.

We're proud of our growing list of domestic and international clients and welcome every opportunity to justify our reputation for customer satisfaction. If you have any questions concerning a hardware application or suitability of a particular component, please feel free to call.



Jacknob
corp

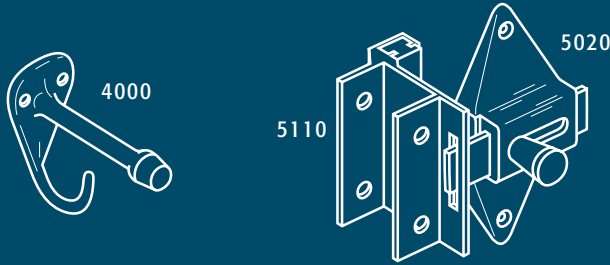


Jacknob[®]
Corp.

The Hardware Makes the Difference

Door Hardware

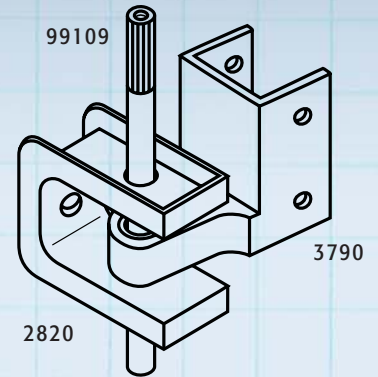
		PART #		CONTENTS								ALSO AVAILABLE IN		
DOOR SIZE	POST SIZE	CHROME PLATED ZAMAC	LATCH	TOP HINGE	BOTTOM HINGE	STRIKE/KEEPER	ONE PC. KEEPER	ONE PC. STRIKE	TOP INSERT	BOTTOM INSERT	HINGE PIN	CHROME PLATED BRASS	POLISHED BRASS	CAST STAINLESS STEEL
1/2"	1/2"	19000	5030	3720	3220		5160	5170	2380	2390	99585			
1/2"	1"	18000	5020	3760	3260		5160	5170	2380	2390	99585			18003
7/8"	1-1/8"	18500	5020	36904	31904	56104			1540	1530	99109			
7/8"	1-1/4"	17800	5020	3790	3290	5110			1540	1530	99109	17801	17802	17803
7/8"	1-1/4"	17810	5020	3790	3290	5980			1540	1530	99109			17813
7/8"	1-1/4"	17830	5020	3790	3290	5340			1540	1530	99109	17831		17833
7/8"	1-1/4"	17900	5050	3790	3290	5110			1540	1530	99109	17901	17902	17903
1"	1"	11300	5030	3760	3260		5160	5170	2820	2810	99109			11303
1"	1"	11310	5080	3760	3260			5170	2820	2810	99109			
1"	1-1/8"	18600	5020	36904	31904	56104			2820	2810	99109			
1"	1-1/4"	11000	5020	3790	3290	5110			2820	2810	99109	11001	11002	11003
1"	1-1/4"	11200	5080	3790	3290	5960			2820	2810	99109	11201		11203
1"	1-1/4"	11400	5020	3790	3290	5980			2820	2810	99109			11403
1"	1-1/4"	11500	5050	3790	3290	5110			2820	2810	99109	11501	11502	11503
1"	1-1/4"	11600	5020	3790	3290	5110			2400	2490	99109	11601		11603
1"	1-1/4"	11610	5020	3790	3290	5340			2400	2490	99109			
1"	1-1/4"	11700	5050	3660	3160	5110			2820	2810	99109	11701	11702	11703
1"	1-1/4"	11710	5080	3660	3160	5230			2820	2810	99109			
1"	1"	78310	5030	3550	3550		5160	5170	1680	1680	99109			
1"	1-1/4"	72610	5080	3540	3540	5230			1680	1680	99109	72611		
1"	1-1/4"	72730	5020	3540	3540	5110			1680	1680	99109	72731	72732	
1"	1-1/4"	78010	5020	3540	3540	5110			1680	1680	99109	78011	78012	



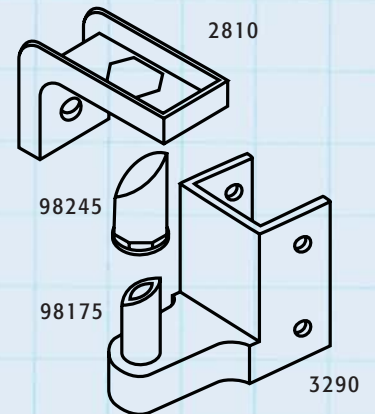
INSWING

All packs are supplied with series #4000 door hooks and mounting hardware.

TOP HINGE ASSEMBLY



BOTTOM HINGE ASSEMBLY



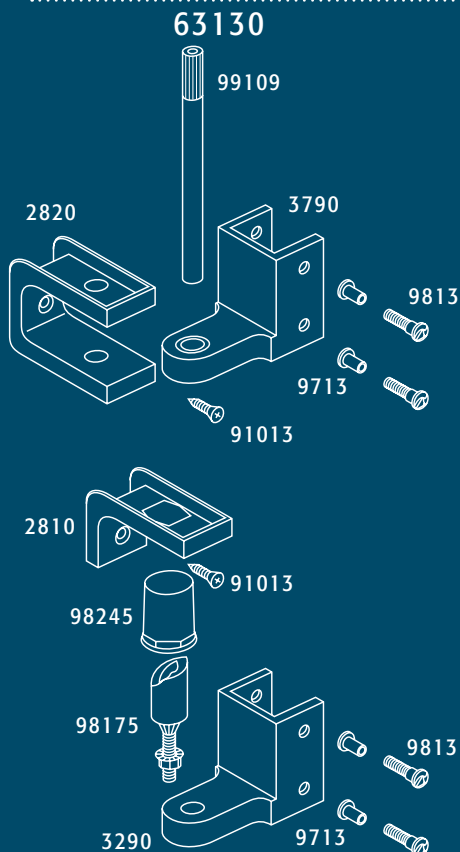
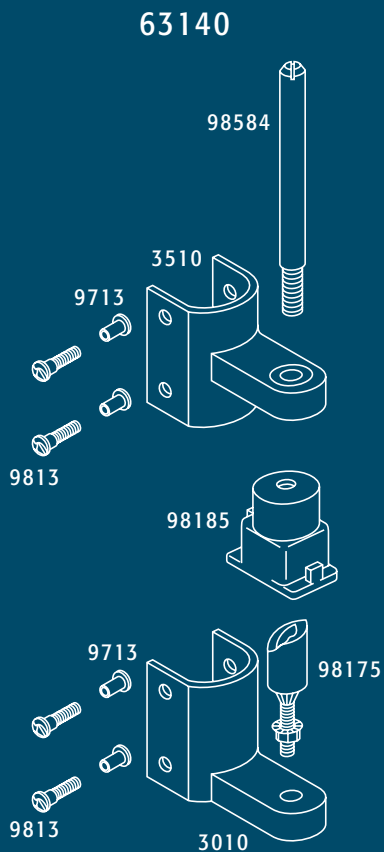
		PART #		CONTENTS								ALSO AVAILABLE IN			
DOOR SIZE	POST SIZE	CHROME PLATED ZAMAC	LATCH	TOP HINGE	BOTTOM HINGE	STRIKE/KEEPER	ONE PC. STRIKE	TOP INSERT	BOTTOM INSERT	HINGE PIN	DOOR PULL	DOOR STOP	CHROME PLATED BRASS	POLISHED BRASS	CAST STAINLESS STEEL
1/2"	1/2"	29000	5020	3720	3220		5170	2380	2390	99585	6200				
1/2"	1"	28000	5020	3760	3260		5170	1540	1530	99585	6200				
7/8"	1-1/8"	28500	5020	36904	31904	5710		1540	1530	99109	6200				
7/8"	1-1/4"	27800	5020	3790	3290	5210		1540	1530	99109	6200		27801	27802	27803
7/8"	1-1/4"	27810	5020	3790	3290	5970		1540	1530	99109	6200				27813
7/8"	1-1/4"	27820	5020	3790	3290	5210		1540	1530	99109	6200	4120		27822	27823
7/8"	1-1/4"	27900	5050	3790	3290	5210		1540	1530	99109	5400	4120	27901	27902	27903
7/8"	1-1/4"	28100	5020	3790	3290	5210		1520	1510	99109	6200				
1"	1"	21300	5020	3760	3260		5170	2820	2810	99109	6200				21303
1"	1"	21310	6080	3760	3260		5170	2820	2810	99109	6200				
1"	1-1/8"	28600	5020	36904	31904	5710		2820	2810	99109	6200				
1"	1-1/4"	21000	5020	3790	3290	5210		2820	2810	99109	6200		21001	21002	21003
1"	1-1/4"	21200	5080	3790	3290	5960		2820	2810	99109	6200		21201		21203
1"	1-1/4"	21400	5020	3790	3290	5970		2820	2810	99109	6200	4120			
1"	1-1/4"	21500	5050	3790	3290	5210		2820	2810	99109	5400		21501	21502	21503
1"	1-1/4"	21600	5020	3790	3290	5210		2400	2490	99109	6200		21601		21603
1"	1-1/4"	21700	5050	3660	3160	5210		2820	2810	99109	5400		21701	21702	21703
1"	1-1/4"	21710	5080	3660	3160	5230		2820	2810	99109	5400				
1"	1"	78320	5020	3550	3550		5170	1680	1680	99109	6200				
1"	1-1/4"	72620	5080	3540	3540	5230		1680	1680	99109	6200		72621		
1"	1-1/4"	72740	5020	3540	3540	5210		1680	1680	99109	6200		72741	72742	
1"	1-1/4"	78020	5020	3540	3540	5210		1680	1680	99109	6200		78021	78022	



OUTSWING

All packs are supplied with series #4020 door hooks and mounting hardware.

REPLACEMENT PACKS *Door Hardware*



TOP HINGE ONLY

		PART #	CONTENTS			ALSO AVAILABLE IN
DOOR SIZE	POST SIZE	CHROME PLATED ZAMAC	TOP HINGE	TOP INSERT	HINGE PIN	CAST STAINLESS STEEL
7/8"	1-1/4"	63020	3790	1540	99109	63023
1"	1-1/4"	63040	3790	2820	99109	63043
1"	1-1/4"	63060	3790	2400	98544	
1"	1-1/4"	63080	4530	4540	98584	
1"	1-1/4"	63100	3510		98584	
1"	1-1/4"	63160	3540	1680	99109	
1"	1-1/4"	63200	3910		98614	
1"	1-1/4"	63220	3910		98614	
1"	1-1/4"	63720	3630	4800	98574	

BOTTOM HINGE ONLY

		PART #	CONTENTS					ALSO AVAILABLE IN
DOOR SIZE	POST SIZE	CHROME PLATED ZAMAC	BOTTOM HINGE	BOTTOM INSERT	PINTLE	CAM	NUT & WASHER	CAST STAINLESS STEEL
7/8"	1-1/4"	63010	3290	1530	98265	98275	98305	63013
1"	1-1/4"	63030	3290	2810	98175	98245	98305	63033
1"	1-1/4"	63070	4040	4060	98175	98185	98305	
1"	1-1/4"	63090	3010		98175	98185	98305	
1"	1-1/4"	63160	3540	1680	89830	89820	98305	
1"	1-1/4"	63190	3410			97245	98305	
1"	1-1/4"	63210	3420		97275	97265		
1"	1-1/4"	63710	3130	4700	98175	98195	98305	

TOP & BOTTOM HINGES

		PART #	CONTENTS						ALSO AVAILABLE IN		
DOOR SIZE	POST SIZE	CHROME PLATED ZAMAC	TOP HINGE	TOP INSERT	BOTTOM HINGE	BOTTOM INSERT	PINTLE	CAM	HINGE PIN	CHROME PLATED BRASS	CAST STAINLESS STEEL
7/8"	1-1/4"	63120	3790	1540	3290	1530	98265	98275	99109	63121	63123
1"	1"	63150	3760	2820	3260	2810	98175	98245	99109		63153
1"	1-1/4"	63130	3790	2820	3290	2810	98175	98245	99109	63131	63133
1"	1-1/4"	63140	3510		3010		98175	98185	98584		63143

Surface Mounted Door Packs INSWING

All packs are supplied with series #4000 door hooks and mounting hardware.



7011

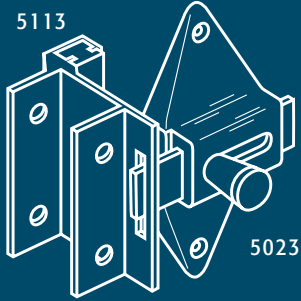


7113

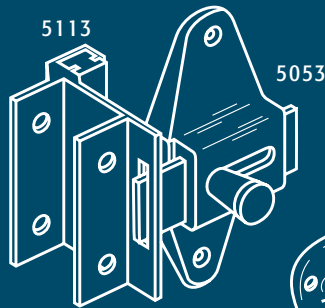


7073

CHROME PLATED ZAMAC				CONTENTS					ALSO AVAILABLE IN	
DOOR SIZE	POST SIZE	PART #	SWING OF DOOR	LATCH	HINGE SET	STRIKE/KEEPER	ONE PC. STRIKE	ONE PC. KEEPER	CHROME PLATED BRASS	POLISHED BRASS
1/2"	1/2"	20510	LH-IN	5030	7021		5170	5160		20512
1/2"	1/2"	20520	RH-IN	5030	7011		5170	5160		
1/2"	3/4"	20410	LH-IN	5020	7021		5170	5160		
1/2"	3/4"	20420	RH-IN	5020	7011		5170	5160		
3/4"	3/4"	20450	LH-IN	5030	7021		5170	5160	20451	20452
3/4"	3/4"	20460	RH-IN	5030	7011		5170	5160	20461	20462
3/4"	1"	20550	LH-IN	5020	7021		5170	5160	20551	
3/4"	1"	20560	RH-IN	5020	7011		5170	5160	20561	
3/4"	1"	70500	LH-IN	5050	7021		5170	5160		70502
3/4"	1"	70510	RH-IN	5050	7011		5170	5160		70512
3/4"	1"	20610	LH-IN	5020	7083		5170	5160		
3/4"	1"	20620	RH-IN	5020	7073		5170	5160		
1"	1"	20650	LH-IN	5020	7123	5620				
1"	1"	20660	RH-IN	5020	7113	5620				
1"	1"		LH-IN	5701	7021		5171		20801	
1"	1"		RH-IN	5701	7011		5171		20811	
1"	1-1/4"	20100	LH-IN	5020	7021	5110			20101	20102
1"	1-1/4"	20110	RH-IN	5020	7011	5110			20111	20112



5113

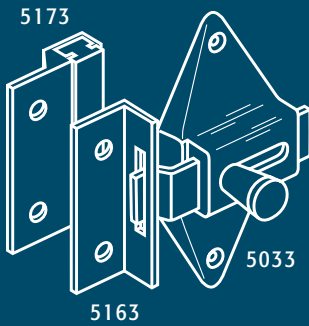


5113

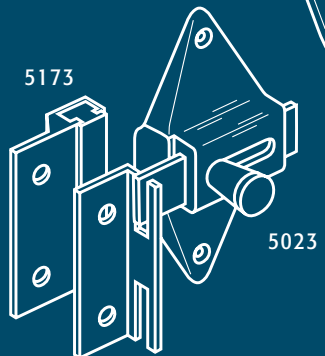
5053



4003



5173



5173

5033

5163

5183

CAST STAINLESS STEEL				CONTENTS				
DOOR SIZE	POST SIZE	PART #	SWING OF DOOR	LATCH	HINGE SET	STRIKE/KEEPER	ONE PC. STRIKE	ONE PC. KEEPER
1/2"	3/4"	70543	LH-IN	5023	7123		5173	5163
1/2"	3/4"	70553	RH-IN	5023	7113		5173	5163
3/4"	3/4"	20453	LH-IN	5033	7123		5173	5163
3/4"	3/4"	20463	RH-IN	5033	7113		5173	5163
3/4"	3/4"	20943	LH-IN	5033	7423		5173	5163
3/4"	3/4"	20953	RH-IN	5033	7413		5173	5163
3/4"	1"	20553	LH-IN	5023	7083	5623		
3/4"	1"	20563	RH-IN	5023	7073	5623		
3/4"	1"	70503	LH-IN	5050	7083		5170	5160
3/4"	1"	70513	RH-IN	5050	7073		5170	5160
3/4"	1"	20613	LH-IN	5023	7043	5113		
3/4"	1"	20623	RH-IN	5023	7033	5113		
1"	1"	20653	LH-IN	5033	7123	5623		
1"	1"	20663	RH-IN	5033	7113	5623		
1"	1-1/4"	20903	LH-IN	5023	7423		5173	5163
1"	1-1/4"	20913	RH-IN	5023	7413		5173	5163
1"	1-1/4"	20103	LH-IN	5023	7083	5113		
1"	1-1/4"	20113	RH-IN	5023	7073	5113		
1"	1-1/4"	20123	LH-IN	5023	7123	5113		
1"	1-1/4"	20133	RH-IN	5023	7113	5113		



7413



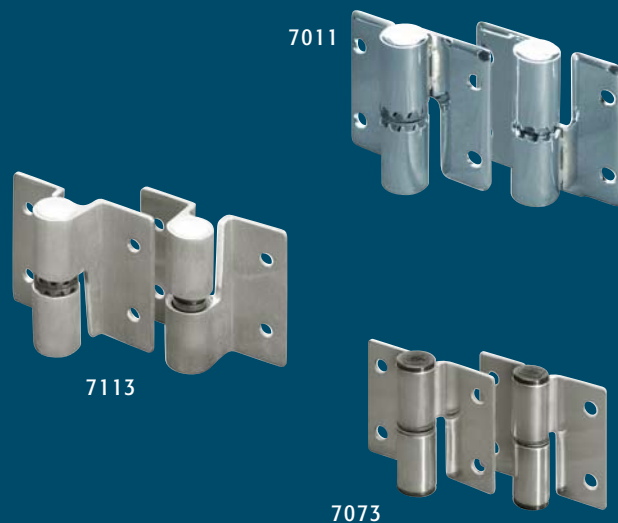
7043

STAMPED STAINLESS STEEL				CONTENTS			
DOOR SIZE	POST SIZE	PART #	SWING OF DOOR	LATCH	HINGE SET	ONE PC. STRIKE	ONE PC. KEEPER
3/4"	3/4"	20459	LH-IN	6309	7123	6329	6319
3/4"	3/4"	20469	RH-IN	6309	7113	6329	6319
3/4"	3/4"	20949	LH-IN	6309	7083	6369	6499
3/4"	3/4"	20959	RH-IN	6309	7073	6369	6499
3/4"	1"	20019	LH-IN	6409	7043		6539
3/4"	1"	20029	RH-IN	6409	7033		6539
3/4"	1"	20559	LH-IN	6309	7083	6369	6499
3/4"	1"	20569	RH-IN	6309	7073	6369	6499
7/8"	1-1/4"	21909	LH-IN	6309	7423	6389	6499
7/8"	1-1/4"	21919	RH-IN	6309	7413	6389	6499
1"	1"	20109	LH-IN	6309	7089	6449	6499
1"	1"	20119	RH-IN	6309	7079	6449	6499

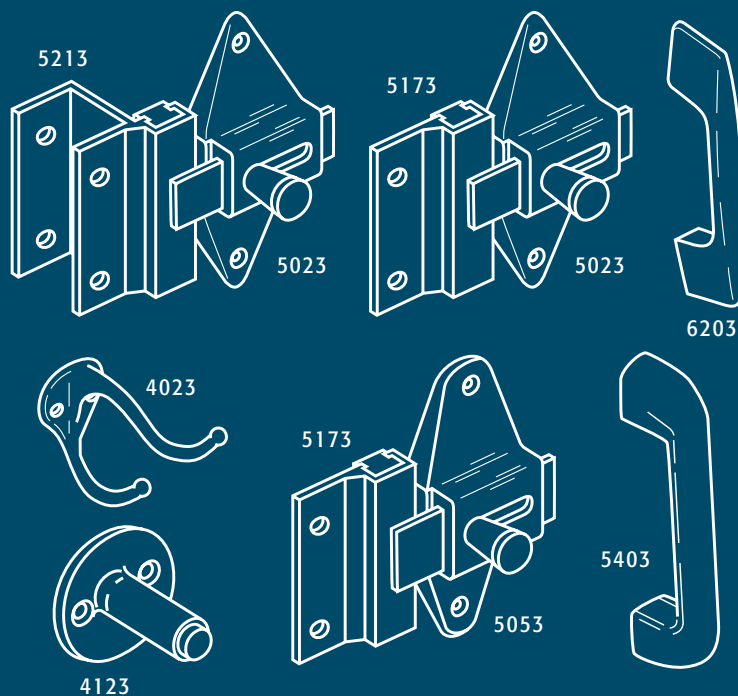
OUTSWING *Surface Mounted Door Packs*

All packs are supplied with series #4020 door hooks and mounting hardware.

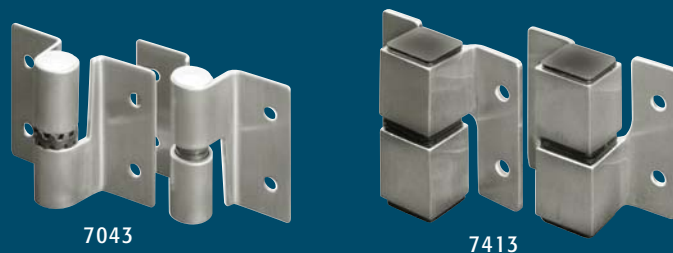
CHROME PLATED ZAMAC				CONTENTS					ALSO AVAILABLE IN	
DOOR SIZE	POST SIZE	PART #	SWING OF DOOR	LATCH	HINGE SET	STRIKE/KEEPER	ONE PC. STRIKE	DOOR PULL	CHROME PLATED BRASS	POLISHED BRASS
1/2"	1/2"	20530	LH-OUT	5020	7011		5170	6200		
1/2"	1/2"	20540	RH-OUT	5020	7021		5170	6200		
1/2"	3/4"	20430	LH-OUT	5020	7011		5170	6200		
1/2"	3/4"	20440	RH-OUT	5020	7021		5170	6200		
3/4"	3/4"	20470	LH-OUT	5020	7011		5170	6200		20472
3/4"	3/4"	20480	RH-OUT	5020	7021		5170	6200		20482
3/4"	1"	20570	LH-OUT	5020	7011		5170	6200	20571	
3/4"	1"	20580	RH-OUT	5020	7021		5170	6200	20581	
3/4"	1"	70520	LH-OUT	5020	7011		5170	5400		70522
3/4"	1"	70530	RH-OUT	5020	7021		5170	5400		70532
3/4"	1"	20630	LH-OUT	5020	7073		5170	6200		
3/4"	1"	20640	RH-OUT	5020	7083		5170	6200		
1"	1"	20670	LH-OUT	5020	7113		5170	6200		
1"	1"	20680	RH-OUT	5020	7123		5170	6200		
1"	1"		LH-OUT	5701	7011		5171	5401	20821	
1"	1"		RH-OUT	5701	7021		5171	5401	20831	
1"	1-1/4"	20200	LH-OUT	5020	7011	5210		6200	20201	20202
1"	1-1/4"	20210	RH-OUT	5020	7021	5210		6200	20211	20212



CAST STAINLESS STEEL				CONTENTS					
DOOR SIZE	POST SIZE	PART #	SWING OF DOOR	LATCH	HINGE SET	STRIKE/KEEPER	ONE PC. STRIKE	DOOR PULL	DOOR STOP
1/2"	3/4"	70563	LH-OUT	5023	7113		5173	6203	
1/2"	3/4"	70573	RH-OUT	5023	7123		5173	6203	
3/4"	3/4"	20473	LH-OUT	5023	7113		5173	6203	
3/4"	3/4"	20483	RH-OUT	5023	7123		5173	6203	
3/4"	3/4"	20963	LH-OUT	5023	7413		5173	6203	
3/4"	3/4"	20973	RH-OUT	5023	7423		5173	6203	
3/4"	1"	20573	LH-OUT	5023	7073	5723		6203	
3/4"	1"	20583	RH-OUT	5023	7083	5723		6203	
3/4"	1"	70523	LH-OUT	5050	7073		5170	5400	
3/4"	1"	70533	RH-OUT	5050	7083		5170	5400	
3/4"	1"	20633	LH-OUT	5023	7033	5213		6203	
3/4"	1"	20643	RH-OUT	5023	7043	5213		6203	
1"	1"	20673	LH-OUT	5023	7113	5723		6203	
1"	1"	20683	RH-OUT	5023	7123	5723		6203	
1"	1-1/4"	20923	LH-OUT	5023	7413		5173	6203	4123
1"	1-1/4"	20933	RH-OUT	5023	7423		5173	6203	4123
1"	1-1/4"	20203	LH-OUT	5023	7073	5213		6203	
1"	1-1/4"	20213	RH-OUT	5023	7083	5213		6203	
1"	1-1/4"	20223	LH-OUT	5023	7113	5213		6203	4123
1"	1-1/4"	20233	RH-OUT	5023	7123	5213		6203	4123



STAMPED STAINLESS STEEL				CONTENTS				
DOOR SIZE	POST SIZE	PART #	SWING OF DOOR	LATCH	HINGE SET	STRIKE/KEEPER	DOOR PULL	DOOR STOP
3/4"	3/4"	20479	LH-OUT	6309	7113	6329	6419	
3/4"	3/4"	20489	RH-OUT	6309	7123	6329	6419	
3/4"	3/4"	20969	LH-OUT	6309	7413	6379	6203	
3/4"	3/4"	20979	RH-OUT	6309	7423	6379	6203	
3/4"	1"	20039	LH-OUT	6309	7033	6569	6419	4129
3/4"	1"	20049	RH-OUT	6309	7043	6569	6419	4129
3/4"	1"	20579	LH-OUT	6309	7089	6379	6419	
3/4"	1"	20589	RH-OUT	6309	7079	6379	6419	
7/8"	1-1/4"	21929	LH-OUT	6309	7413	6399	6419	
7/8"	1-1/4"	21939	RH-OUT	6309	7423	6399	6419	
1"	1"	20209	LH-OUT	6309	7079	6559	6419	
1"	1"	20219	RH-OUT	6309	7089	6559	6419	

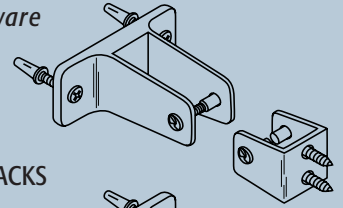


Prepackaged Hardware PANEL & PILASTER PACKS

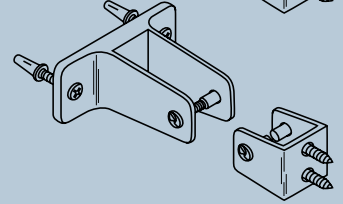
TWO EAR PANEL PACKS

PANEL SIZE	PART#			ALSO AVAILABLE IN				
	CHROME PLATED ZAMAC	WALL BRACKET	"U" BRACKET	CHROME PLATED BRASS	POLISHED BRASS	CAST STAINLESS STEEL	ALUMINUM EXTRUSION	STAMPED STAINLESS STEEL
1/2"	15000	1560	1870			15003		15009
3/4"	15010	1620	1890			15013		15019
7/8"	15020	1630	1900	15021	15022	15023		15029
1"	15030	1750	1910	15031	15032	15033	15034	15039
1-1/4"	15040	1830	1940		15042	15043		15049
THREE BRACKET PACKS								
1/2"	15170	1560	1870			15173	15174	15179
3/4"	15160	1620	1890			15163		15169
7/8"	15150	1630	1900	15151	15152	15153		15159
1"	15980	1750	1910			15983		
1-1/4"	Inquire About Special Request Orders							

All packs are supplied with mounting hardware



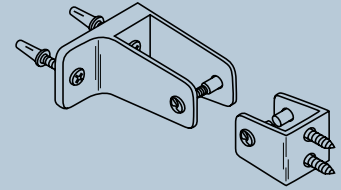
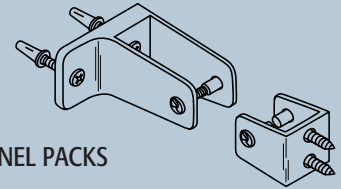
TWO EAR PANEL PACKS



ONE EAR PANEL PACKS

PANEL SIZE	PART#			ALSO AVAILABLE IN				
	CHROME PLATED ZAMAC	WALL BRACKET	"U" BRACKET	CHROME PLATED BRASS	POLISHED BRASS	CAST STAINLESS STEEL	ALUMINUM EXTRUSION	STAMPED STAINLESS STEEL
1/2"	15110	1570	1870	15570		15113		15119
3/4"	15100	1640	1890			15103		15109
7/8"	15090	1650	1900	15091	15092	15093		15099
1"	15050	1760	1910	15051	15052	15053	15054	15059
1-1/8"	15130	18204						
1-1/4"	15140	1840	1940	15141	15142	15143	15144	15149
THREE BRACKET PACKS								
1/2"		1570	1870			15573		15579
3/4"		1640	1890			715103		715109
7/8"	715090	1650	1900					
1"	15080	1760	1910	15081	15082	15083	15084	15089
1-1/8"	Inquire About Special Request Orders							
1-1/4"	Inquire About Special Request Orders							

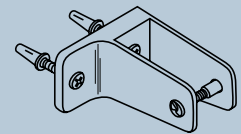
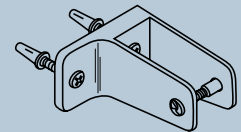
ONE EAR PANEL PACKS



ONE EAR PILASTER PACKS

PANEL SIZE	PART#		ALSO AVAILABLE IN				
	CHROME PLATED ZAMAC	WALL BRACKET	CHROME PLATED BRASS	POLISHED BRASS	CAST STAINLESS STEEL	ALUMINUM EXTRUSION	STAMPED STAINLESS STEEL
1/2"	15190	1570			15193		15199
3/4"	15810	1640			15813		15819
7/8"	15820	1650	15821	15822	15823		15829
1"	15250	1760	15251	15252	15253	15254	15259
1-1/8"	15210	18204					15219
1-1/4"	15230	1840	15231	15232	15233	15234	15239
1-1/4"	15240	1850	15241	15242	15243		15249

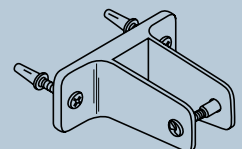
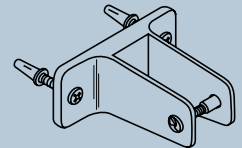
ONE EAR PILASTER PACKS



TWO EAR PILASTER PACKS

PANEL SIZE	PART#		ALSO AVAILABLE IN				
	CHROME PLATED ZAMAC	WALL BRACKET	CHROME PLATED BRASS	POLISHED BRASS	CAST STAINLESS STEEL	ALUMINUM EXTRUSION	STAMPED STAINLESS STEEL
1/2"	15200	1560			15203	15204	15209
3/4"	15840	1620			15843		15849
7/8"	15850	1630	15851	15852	15853		15859
1"	15280	1750	15281	15282	15283	15284	15289
1-1/4"	15220	1830	15221	15222	15223		15229
1-1/4"	15870	1810	15871		15873		15879

TWO EAR PILASTER PACKS

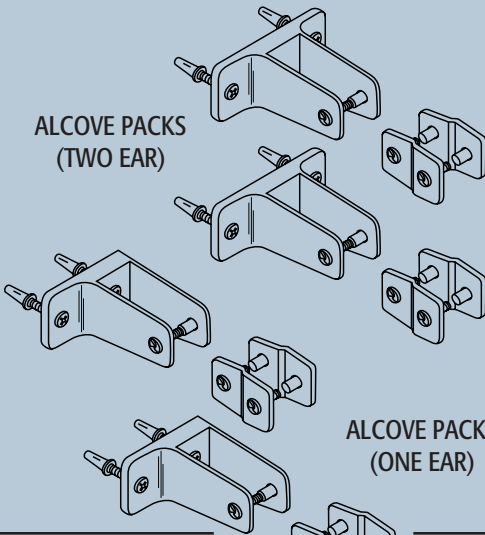


All packs are supplied with mounting hardware

ALCOVE PACKS

PANEL SIZE	POST SIZE	PART#	CONTENTS				ALSO AVAILABLE IN					BRACKET TYPE
			CHROME PLATED ZAMAC	WALL BRACKET	ALCOVE CLIP	HEADRAIL BRACKET	CHROME PLATED BRASS	POLISHED BRASS	CAST STAINLESS STEEL	ALUMINUM EXTRUSION	STAMPED STAINLESS STEEL	
ALL 1/4" Offsets		15300			8340		15301	15302	15303		15309	
1/2"	3/4"	15350	1560		8340				15353		15359	2-EAR
3/4"	3/4"	15660	1623		8369				15663		15669	2-EAR
3/4"	1"	15310	1620		8340				15313		15319	2-EAR
3/4"	1"	15680	1640		8340							1-EAR
7/8"	1"	15320	1630		8340		15321	15322	15323		15329	2-EAR
7/8"	1"	15380	1630		8340	2170						2-EAR
7/8"	1"	15690	1650		8340							1-EAR
1"	1"	15670	1760		8369						15679	1-EAR
1"	1-1/4"	15330	1750		8340		15331	15332	15333	15334	15339	2-EAR
1"	1-1/4"	15360	1760		8340		15361	15362	15363	15364	15369	1-EAR
1"	1-1/4"	15370	1750		1550							2-EAR

ALCOVE PACKS (TWO EAR)

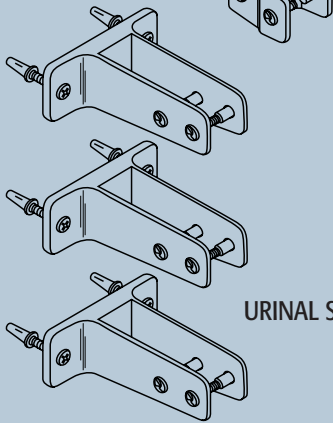


ALCOVE PACKS (ONE EAR)

URINAL SCREEN PACKS

SCREEN SIZE	PART#	CONTENTS	ALSO AVAILABLE IN					BRACKET TYPE	
			CHROME PLATED ZAMAC	WALL BRACKET	CHROME PLATED BRASS	POLISHED BRASS	CAST STAINLESS STEEL		ALUMINUM EXTRUSION
ALL	15470	1320		15471	15472	15473		15479	ANGLE X-LONG
1/2"	15390	1480				15393		15399	
3/4"	15410	1590				15413		15419	
7/8"	15420	1600	15421	15422	15423			15429	
1"	15430	1610	15431	15432	15433	15434		15439	
1"	15440	1280	15441	15442	15443			15449	2-PC X-LONG
1"	15510	1280	15511	15512	15513			15519	X-LONG
1-1/4"	15450	107720	15451	15452	15453			15459	
1-1/4"	15460	1330						15469	2-PC X-LONG
1-1/4"	15500	1330						15509	X-LONG

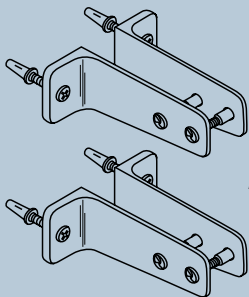
URINAL SCREEN PACKS



ANGLE BRACKET PACKS

PANEL SIZE	PART#	CONTENTS	ALSO AVAILABLE IN				
			CHROME PLATED ZAMAC	WALL BRACKET	CHROME PLATED BRASS	POLISHED BRASS	CAST STAINLESS STEEL
ALL	15480	1320 (2-SET) X-LONG		15481		15483	15489
ALL	15490	1320 (1-SET) X-LONG		15491	15492	15493	15499
ALL	15520	1860 (2-SET)		15521	15522	15523	15529
ALL	15530	1860 (1-SET)		15531	15532	15533	15539

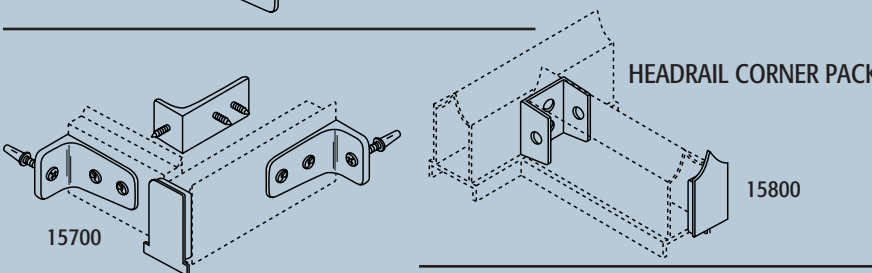
ANGLE BRACKET PACKS



HEADRAIL CORNER PACKS

PANEL SIZE	PART #	CONTENTS	ALSO AVAILABLE IN			
			CHROME PLATED ZAMAC	U-BRACKET	END PLUG	CAST STAINLESS STEEL
ALL	15800	1910 6675		15803	15804	15809

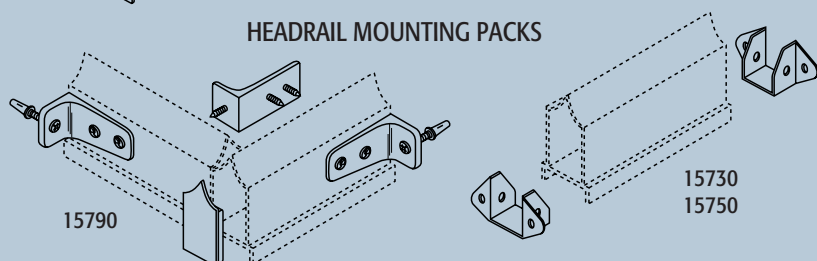
HEADRAIL CORNER PACK



HEADRAIL MOUNTING PACKS

SCREEN SIZE	PART #	CONTENTS	ALSO AVAILABLE IN		
			CHROME PLATED ZAMAC	MOUNTING BRACKET	END PLUG
ALL	15790	1350 (3-PC) 6675 (1-PC)		15793	15799
1"	15700	1350 (3-PC) 6715 (2-PC)		15703	15709
1"	15710	2150 (1-PC) 6660 (1-PC)			
1/2" to 1"	15720	2150 (1-PC) 6670 (1-PC)			15729
1/2" to 1"	15730	2150 (2-PC)			15739
1-1/4"	15740	2170 (1-PC) 6675 (1-PC)			
1-1/4"	15750	2170 (2-PC)			

HEADRAIL MOUNTING PACKS



Wall Brackets CASTINGS

ALL BRACKETS AT 1 1/2" LENGTHS

TWO EAR
1750

ONE EAR
1840

TWO EAR - URINAL
1613

TWO PIECE - MINI
1580

TWO EAR - MINI
1810

ONE EAR - MINI
1853



TWO EAR - URINAL
(X-HIGH)
1280

TWO EAR - (X-HIGH)
1260

ONE EAR - (X-HIGH)
1270

"U" BRACKET - (X-HIGH)
1920

"L" BRACKET
2011

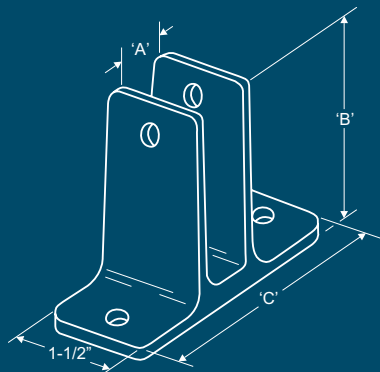


"U" BRACKET
1913

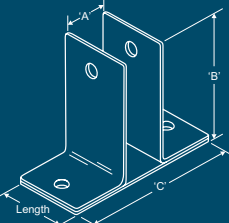
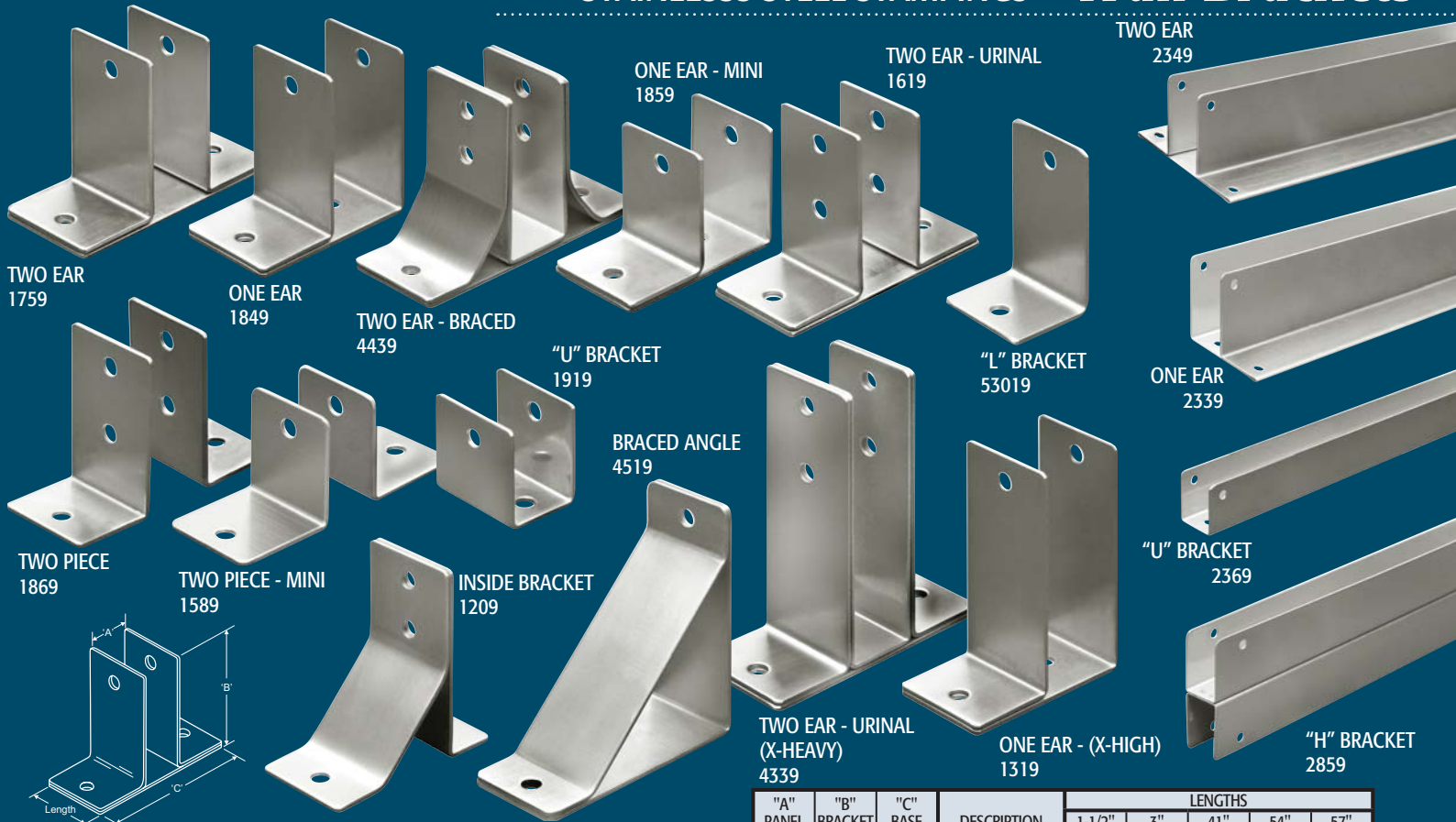
TWO PIECE
1863

WING
2700

WING
2500



"A" PANEL SIZE	"B" BRACKET HEIGHT	"C" BASE WIDTH	DESCRIPTION	CHROME PLATED ZAMAC	CHROME PLATED BRASS	POLISHED BRASS	CAST STAINLESS STEEL
TWO EAR BRACKETS							
1/2"	2-1/2"	2-27/32"		1560			1563
3/4"	2-1/2"	3"		1620			1623
7/8"	2-1/2"	3-1/2"		1630	1631	1632	1633
1"	2-1/2"	4"		1750	1751	1752	1753
1-1/4"	2-1/2"	4"		1830	1831	1832	1833
ONE EAR BRACKETS							
1/2"	2-1/2"	1-3/4"		1570			1573
3/4"	2-1/2"	2"		1640		1642	1643
7/8"	2-1/2"	2-3/32"		1650	1651	1652	1653
1"	2-1/2"	2-21/32"		1760	1761	1762	1763
1-1/8"	2-1/2"	2-3/4"	With Spacers	18204			
1-1/4"	2-1/2"	2-3/4"		1840	1841	1842	1843
MINI BRACKETS							
ALL	1-3/4"	1-3/8"	Two Piece	1580			
1-1/4"	1-3/4"	4"	Two Ear	1810			1813
1-1/4"	1-3/4"	2-3/4"	One Ear	1850		1852	1853
X-HIGH BRACKETS							
1"	3-1/2"	4"	Two Ear	1260			
1"	3-1/2"	2-21/32"	One Ear	1270			
1-1/4"	3-1/2"	4"	Two Ear	1300			
1-1/4"	3-1/2"	2-27/32"	One Ear	1310			
URINAL SCREEN BRACKETS							
1/2"	2-1/2"	1-3/4"	One Ear	1470			
1/2"	2-1/2"	2-27/32"	Two Ear	1480			1483
3/4"	2-1/2"	3"	Two Ear	1590			1593
7/8"	2-1/2"	3-1/2"	Two Ear	1600	1601	1602	1603
1"	2-1/2"	4"	Two Ear	1610	1611	1612	1613
1"	3-1/2"	2-21/32"	One Ear X-High	1660			
1"	3-1/2"	4"	Two Ear X-High	1280	1281	1282	1283
1-1/4"	2-1/2"	4"	Two Ear	107720			107723
1-1/4"	3-1/2"	4"	Two Ear X-High	1330			
WING BRACKETS							
1"	12"	7"		2700			
1-1/4"	6"	6-1/4"		2500			
"U" BRACKETS							
1/2"	1-3/8"	3/4"		1870			1873
3/4"	1-3/8"	1"		1890			1893
7/8"	1-3/8"	1-1/8"		1900	1901	1902	1903
1"	1-3/8"	1-1/4"		1910	1911	1912	1913
1-1/4"	1-3/8"	1-1/2"		1940			
"U" BRACKETS X-HIGH							
1"	2-1/2"	1-1/4"		1920			
1-1/4"	2-1/2"	1-9/16"		1950			
TWO PIECE "L" BRACKETS							
ALL	1-3/4"	1-3/8"	Mini (1) Hole	1580			
ALL	2-1/2"	1-1/2"	Standard (2) Hole	1860	1861	1862	1863
ALL	3-1/2"	1-1/2"	X-High (2) Hole	1320	1321	1322	1323
ANGLE "L" BRACKETS (SINGLE)							
ALL	1-3/4"	1-3/4"	Mini		2011	2012	2013



"A" PANEL SIZE	"B" BRACKET HEIGHT	"C" BASE WIDTH	DESCRIPTION	LENGTHS				
				1-1/2" 14 GAUGE	3" 18 GAUGE	41"	54"	57"
TWO EAR BRACKETS								
1/2"	2-1/2"	3-3/16"		1569	2209	2059		2679
3/4"	2-1/2"	3-13/32"		1629	2229			2089
7/8"	2-1/2"	3-9/16"		1639	2249			
1"	2-1/2"	3-11/16"		1759	2269	2609	2869	2349
1-1/8"	2-1/2"	3-13/16"		1779	2389			
1-1/4"	2-1/2"	3-15/16"		1839	2289			
1-1/2"	2-1/2"	3-29/32"		1709				
1"	2-5/8"	4"	Braced Two Ear	4439				
ONE EAR BRACKETS								
1/2"	2-1/2"	1-29/32"		1579	2219		2919	2099
3/4"	2-1/2"	2-5/32"		1649	2239			2079
7/8"	2-1/2"	2-5/16"		1659	2259			
1"	2-1/2"	2-13/32"		1769	2279		2879	2339
1-1/8"	2-1/2"	2-17/32"		1829				
1-1/4"	2-1/2"	2-11/16"		1849	2299			2359
ALL	2-7/8"	2-29/32"	Inside Wall Bracket	1209				
MINI BRACKETS								
ALL	1-5/8"	1-5/8"	(2-Pc.) Set	1589				
3/4"	1-1/2"	2-5/32"	One Ear	1679				
1"	1-1/2"	2-13/32"	One Ear	1749				
1-1/4"	1-5/8"	3-15/16"	Two Ear	1819				
1-1/4"	1-3/4"	2-11/16"	One Ear	1859				4359
ONE EAR X-HIGH BRACKETS								
3/4"	3-1/2"	2-5/32"		1259				
1"	3-1/2"	2-13/32"		1279				
1-1/4"	3-1/2"	2-11/16"		1319				
TWO EAR X-HIGH BRACKETS								
3/4"	3-1/2"	3-13/32"		1249				
1"	3-1/2"	3-11/16"		1269				
1-1/4"	3-1/2"	3-15/16"		1309				
URINAL SCREEN BRACKETS								
1/2"	2-1/2"	1-29/32"	One Ear	1479				
1/2"	2-1/2"	3-3/16"	Two Ear	1489				
3/4"	2-1/2"	2-5/32"	One Ear	1699				
3/4"	2-1/2"	3-13/32"	Two Ear	1599				
7/8"	2-1/2"	3-9/16"	Two Ear	1609				
1"	2-1/2"	3-11/16"	Two Ear	1619				

"A" PANEL SIZE	"B" BRACKET HEIGHT	"C" BASE WIDTH	DESCRIPTION	LENGTHS				
				1-1/2" 14 GAUGE	3" 18 GAUGE	41"	54"	57"
TWO EAR URINAL SCREEN X-HEAVY								
1/2"	4"	3-5/8"		4309				
3/4"	4"	3-7/8"		4319				
7/8"	4"	4"		4329				
1"	4"	4-1/8"		4339				
1-1/4"	4"	4-3/8"		4349				
URINAL SCREEN X-HIGH								
1"	3-1/2"	2-13/32"	One Ear	1669				
7/8"	3-1/2"	3-17/32"	Two Ear	1239				
1"	3-1/2"	3-11/16"	Two Ear	1289				
1-1/4"	3-1/2"	3-15/16"	Two Ear	1339				
"U" BRACKETS								
1/2"	1-1/2"	11/16"		1879	2989	2039		2669
3/4"	1-1/2"	15/16"		1899			4589 (53")	2069
7/8"	1-1/2"	1-1/16"		1909	2979			
1"	1-1/2"	1-3/16"		1919	2309	101309	2799	2369
1-1/8"	1-1/2"	1-9/32"		1939				
1-1/4"	1-1/2"	1-13/32"		1949				
1-1/2"	1-1/2"	1-11/16"		1889				
"U" BRACKETS X-HIGH								
1/2"	2-1/2"	11/16"		1999	2189			
3/4"	2-1/2"	15/16"		1989	2319			
7/8"	2-1/2"	1-1/16"		1979	2199			
1"	2-1/2"	1-3/16"		1929	2329			
1-1/8"	2-1/2"	1-5/16"		1969				
1-1/4"	2-1/2"	1-7/16"		1959	2999			
TWO PIECE BRACKETS								
ALL	2-1/2"	1-1/4"	(2 Hole)	1869				
ALL	3-1/2"	1-5/16"	(2 Hole) X-High	1329				
ANGLE "L" BRACKETS								
ALL	2"	13/16"	3/4" Length / 12 Gauge	2809				
ALL	1-5/8"	1-5/8"		2019				
ALL	2-1/2"	1-5/16"		53019				2689
ALL	3-1/2"	1-5/16"		1359				
ALL	3-1/2"	3-1/2"	Braced Angle Bracket	4519				
"H" BRACKET								
1"	3-1/2"	1-1/8"	Riveted & Welded				2859	
HINGED BRACKETS (see back cover)								
1"	2-9/16"	3"	Uses (1) #2329		111359			
1-1/4"	2-9/16"	3"	Uses (1) #2999		111369			

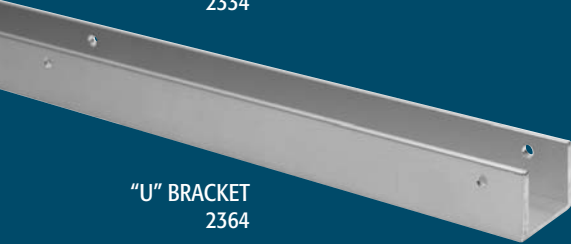
Wall Brackets ALUMINUM EXTRUSIONS



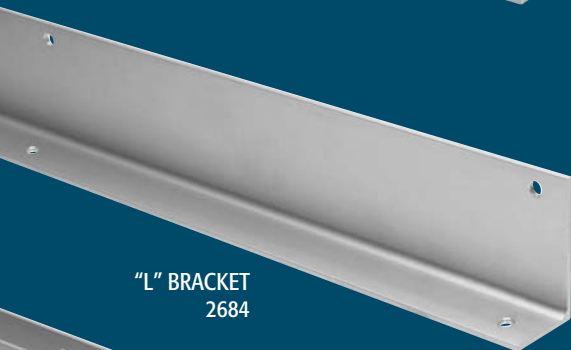
TWO EAR
2344



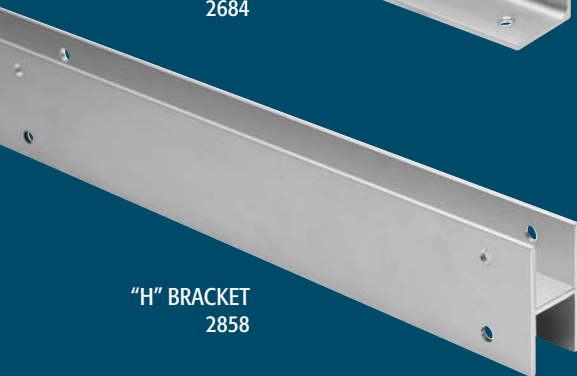
ONE EAR
2334



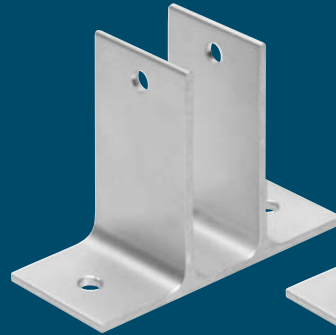
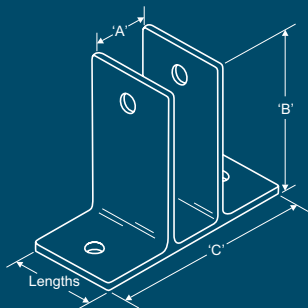
"U" BRACKET
2364



"L" BRACKET
2684



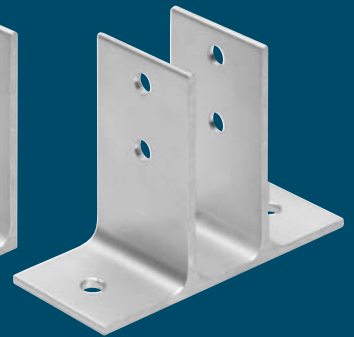
"H" BRACKET
2858



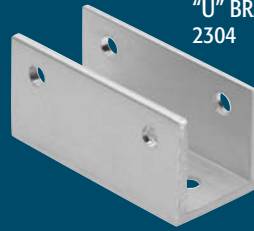
TWO EAR
1754



ONE EAR
1764



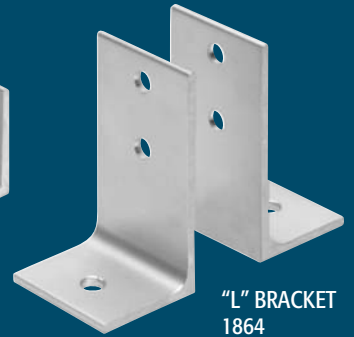
TWO EAR - URINAL
1614



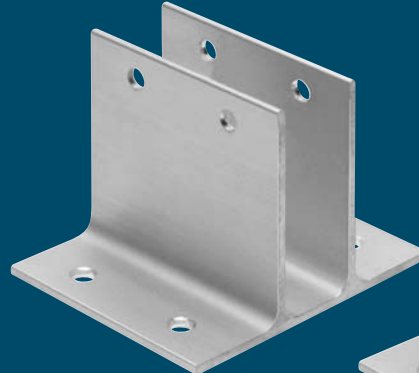
"U" BRACKET - (X-LONG)
2304



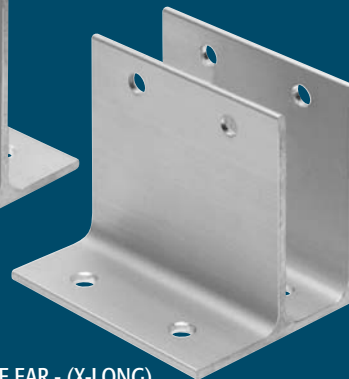
"U" BRACKET
1914



"L" BRACKET
1864



TWO EAR - (X-LONG)
2264



ONE EAR - (X-LONG)
2274



"H" BRACKET
1734

ALL PARTS "T-6063-T5" EXTRUDED ALUMINUM WITH "CLEAR ANODIZED" FINISH

"A" PANEL SIZE	"B" HEIGHT	"C" BASE WIDTHS	LENGTHS					
			1-1/2"	3"	41"	54"	57"	57-1/2"
TWO EAR BRACKETS								
1/2"	2-3/4"	2-27/32"	1564	2204	2054		4174	2674
3/4"	2-3/4"	3-13/32"			4604			2084
1"	2-3/4"	3-3/4"	1754	2264	2888	2868		2344
ONE EAR BRACKETS								
1/2"	2-3/4"	1-31/32"					2094	4394
3/4"	2-3/4"	2-7/32"	1644	109284			2074	4364
1"	2-3/4"	2-5/8"	1764	2274		2878		2334
1-1/4"	2-3/4"	2-5/8"	1844	2294				2354
1-1/4"	1-3/4"	2-5/8"						4354 (mini)
URINAL SCREEN BRACKET								
1"	2-3/4"	3-3/4"	1614					
"U" BRACKETS								
1/2"	1-3/8"	3/4"	1874	2984	2034		4184	2664
3/4"	1-3/8"	1"				4584 (53")		2064
1"	1-3/8"	1-5/16"	1914	2304	101304	2794		2364
1"	2-3/4"	1-1/4"		2324 (x-high)				
"L" BRACKET								
ALL	2-3/4"	1-3/8"	1864 (2pc)					2684
"H" BRACKET								
1"	2-1/2"	1-1/4"	1724	1734		2858		

Surface Mounted Hinges

SEE PAGE 23 FOR ALL NYLON INTERNAL REPLACEMENT PARTS FOR ROUND & SQUARE BARREL HINGES.

	CHROME PLATED BRASS	POLISHED BRASS	CAST STAINLESS STEEL	STAMPED STAINLESS STEEL	DESCRIPTION	FINISH	HINGE THICKNESS
#	7011	7012			RH-IN or LH-OUT (3" Height)	Polished	3/32"
#	7131	7132			Top Hinge Only RH-IN or LH-OUT		
#	7141	7142			Bottom Hinge Only RH-IN or LH-OUT		
#	7021	7022			LH-IN or RH-OUT (3" Height)	Polished	3/32"
#	7151	7152			Top Hinge Only LH-IN or RH-OUT		
#	7161	7162			Bottom Hinge Only LH-IN or RH-OUT		
				7033	RH-IN or LH-OUT (3" Height)	Satin	3/32"
				7043	LH-IN or RH-OUT (3" Height)		
				7053	RH-IN or LH-OUT (3" Height)	Satin	1/8"
				7063	LH-IN or RH-OUT (3" Height)		
*				7073	RH-IN or LH-OUT (2-1/2" Height)	Polished	3/32"
*				7083	LH-IN or RH-OUT (2-1/2" Height)		
*				7079	RH-IN or LH-OUT (2-1/2" Height)		
*				7089	LH-IN or RH-OUT (2-1/2" Height)	Satin	3/32"
*				7093	RH-IN or LH-OUT (2-7/8" Height)		
*				7103	LH-IN or RH-OUT (2-7/8" Height)	Satin	1/8"
*				8169	RH-IN or LH-OUT (3-3/8" Height)		
				8179	LH-IN or RH-OUT (3-3/8" Height)	Satin	1/8"
				7113	RH-IN or LH-OUT (3" Height)		
				7133	Top Hinge Only RH-IN or LH-OUT	Satin	1/8"
				7143	Bottom Hinge Only RH-IN or LH-OUT		
				7123	LH-IN or RH-OUT (3" Height)	Satin	1/8"
				7153	Top Hinge Only LH-IN or RH-OUT		
				7163	Bottom Hinge Only LH-IN or RH-OUT		
Three Hinge Sets - Two Tops and One Bottom							
				7553	RH-IN or LH-OUT of 7113		
				7563	LH-IN or RH-OUT of 7123		
				7883	RH-IN or LH-OUT of 7093		
				7893	LH-IN or RH-OUT of 7103		
Spring Adjustable							
				8643	RH-IN/OUT or LH-IN/OUT (4" Height)	Polished	3/32"
				8649	RH-IN/OUT or LH-IN/OUT (4" Height)	Satin	
				8653	RH-IN/OUT or LH-IN/OUT (5" Height)	Polished	3/32"
				8659	RH-IN/OUT or LH-IN/OUT (5" Height)	Satin	
Square Barrel Hinges							
				7413	RH-IN or LH-OUT (3" Height)	Satin	1/8"
				7423	LH-IN or RH-OUT (3" Height)		
Locker Hinge							
				7719	RH-OUT or LH-OUT (2-3/4" Height)	Satin	3/32"

THREE HINGE SETS RECOMMENDED ON HANDICAPPED, OVERSIZED OR OUTSWING DOORS.
 TWO HINGE SETS NOT RECOMMENDED FOR DOORS OVER **50 LBS.**
 THREE HINGE SETS NOT RECOMMENDED FOR DOORS OVER **70 LBS.**
 * HANDEDNESS OF HINGES CANNOT BE CHANGED

ROUND BARREL ALUMINUM (For 1" Material)		
PART #	DESCRIPTION	FINISH
7978	RH-IN or LH-OUT (8" Height)	Clear Anodized
7988	LH-IN or RH-OUT (8" Height)	Clear Anodized
8974	RH-IN or LH-OUT (8" Height)	Brite-Dip
8984	LH-IN or RH-OUT (8" Height)	Brite-Dip
Three Hinge Sets - One Top and Two Bottoms		
73714	RH-IN or LH-OUT	of (8974)
73724	LH-IN or RH-OUT	of (8984)
Replacement Parts		
97415	Set of Inserts for 3/4" Door and Post	Nylon-Black
8465	Cam & Pintle Set for Top Hinges	Nylon-Black
8475	Cam & Pin Set for Bottom Hinges	Nylon-Black

PIANO HINGES			
MATERIAL THICKNESS	LENGTHS	DESCRIPTION	STAMPED STAINLESS STEEL
16 Gauge	54"	RH-IN or LH-OUT - Spring Close (1/8" Pin)	7959
	54"	LH-IN or RH-OUT - Spring Close (1/8" Pin)	7969
14 Gauge	57"	RH-IN or LH-OUT - Spring Close (1/4" Pin)	7339
	57"	LH-IN or RH-OUT - Spring Close (1/4" Pin)	7349
16 Gauge	57-1/2"	No Spring (1/8" Pin)	7649
	57-1/2"	RH-IN or LH-OUT - Spring Close (1/8" Pin)	7659
	57-1/2"	LH-IN or RH-OUT - Spring Close (1/8" Pin)	7669
	71-1/2"	RH-IN or LH-OUT - Spring Close (1/8" Pin)	7759
	71-1/2"	LH-IN or RH-OUT - Spring Close (1/8" Pin)	7769
	14 Gauge	54-1/2"	RH-IN/OUT or LH-IN/OUT - Cam Close (1/4" Pin)
54-1/2"		RH-IN/OUT or LH-IN/OUT - Cam Close (1/4" Pin) (20° Open)	7609
57-1/2"		RH-IN/OUT or LH-IN/OUT - Cam Close (1/4" Pin)	7789
57-1/2"		RH-IN/OUT or LH-IN/OUT - Cam Close (1/4" Pin) (20° Open)	7799



Fasteners not supplied. See page 26 for Screw Packs.

Strike & Keepers SQUARE EDGE POSTS



5140
INSWING



5280
INSWING



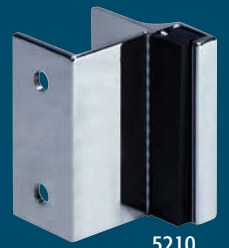
5240
IN or OUT



5260
OUTSWING



5230
IN or OUT



5210
OUTSWING



5160
INSWING



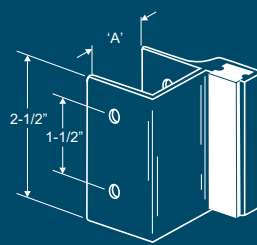
111770
INSWING



5180
INSWING



5170
INSWING



5110
INSWING



5340
INSWING



5778
INSWING



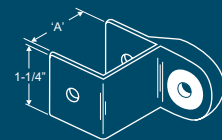
5798
INSWING



5878
OUTSWING



5898
OUTSWING



5960
IN or OUT



5980
INSWING



5970
OUTSWING



5630
IN or OUT



5650
INSWING



5640
OUTSWING

"A" POST SIZE	DESCRIPTION	CHROME PLATED ZAMAC	"SATIN" FINISH ZAMAC	CHROME PLATED BRASS	POLISHED BRASS	CAST STAINLESS STEEL	ALUMINUM EXTRUSION (CLEAR ANODIZE)	ALUMINUM EXTRUSION (BRITE-DIP)
1"		5620				5623	5624	5628
1-1/8"	Inswing for Slide Latch	56104						
1-1/4"		5110	5118	5111	5112	5113		
3/4"						4913		
1"	Outswing for Slide Latch	5720				5723	5724	5728
1-1/8"		57104						
1-1/4"		5210	5218	5211	5212	5213		
1"	Inswing or Outswing for Concealed Latches	5730				5733		
1-1/4"		5230		5231	5232	5233		
1-1/4"	Inswing or Outswing for Concealed Latches	5220						
3/4"	Inswing for Throw Latch (Emergency Access)					4903		
1"		5820				5823	5824	
1-1/4"		5340		5341	5342	5343		
FLATS								
ALL	Inswing for Slide Latch	5140	5148	5141	5142	5143	5144	85148
ALL	Inswing or Outswing for Concealed Latches	5240		5241	5242	5243		
ALL	Outswing for Slide Latch	5260		5261	5262	5263	5264	85268
ALL	Inswing for Throw Latch (Emergency Access)	5280		5281	5282	5283		
HALVES & SETS								
ALL	Inswing Keeper for Slide Latch	5160		5161	5162	5163	5164	
ALL	Inswing or Outswing Strike for Slide Latches	5170		5171	5172	5173	5174	
ALL	Inswing Keeper for Throw Latch (Emergency Access)	5180		5181	5182	5183	5184	
ALL	Inswing Keeper for Throw Latch (Emergency Access) - Short Slot	111770						
ALL	Strike & Keeper 2 pc Pack (5160 & 5170)	5680				5683		
6" HIGH ALUMINUM								
1"	Inswing						5778	
1"	Outswing						5878	
ALL	Inswing (Flat)						5798	
ALL	Outswing (Flat)						5898	
HALF HEIGHT								
1-1/4"	Inswing or Outswing for Concealed Latches	5960				5963		
1-1/4"	Outswing for Slide Latch	5970				5973		
1-1/4"	Inswing for Throw Latch (Emergency Access)	5980				5983		
1-1/4"	Inswing or Outswing for Concealed Latches (1-1/4" Doors)	5840						
HALF HEIGHT-FLATS								
ALL	Inswing or Outswing for Concealed Latches	5630				5633		
ALL	Outswing for Slide Latch	5640				5643		
ALL	Inswing for Throw Latch (Emergency Access)	5650				5653		

ROUND EDGE POSTS *Strike & Keepers*

"A" POST SIZE	DESCRIPTION	CHROME PLATED ZAMAC	CHROME PLATED BRASS	CAST STAINLESS STEEL
1-1/4"	Inswing for Slide Latch	5310	5311	
1-1/4"	Inswing or Outswing for Concealed Latch with Flat Bar	5320	5321	
1-1/4"	Inswing for Throw Latch (Emergency Access)	5330		
1-1/4"	Outswing for Slide Latch	5410	5411	
1-1/4"	Inswing or Outswing for Concealed Latch with Round Bar	5430	5431	
1-1/4"	Inswing or Outswing for Concealed Latch	5550		
HALF HEIGHT				
1-1/4"	Inswing or Outswing for Concealed Latch	5470		
1-1/4"	Inswing or Outswing for Concealed Latch with Round Bar	5510	5511	5513
1-1/4"	Inswing or Outswing for Concealed Latch with Flat Bar	5520		
1-1/4"	Outswing for Slide Latch	5570		5573
1-1/4"	Inswing for Throw Latch (Emergency Access)	5580		5583
1-1/4"	Inswing or Outswing for Concealed Latch	5590		



5430
IN OR OUT

5320
IN OR OUT

5410
OUTSWING



5330
INSWING

5310
INSWING

5550
IN OR OUT



5510
IN OR OUT

5520
IN OR OUT

5470
IN OR OUT



5570
OUTSWING

5580
INSWING

5590
IN OR OUT

STAMPED STAINLESS STEEL SQUARE EDGE POSTS*

DOOR SIZE	DESCRIPTION	STAMPED STAINLESS STEEL
INSWING		
1/2"	Inswing Strike	6349
3/4"	Inswing Strike	6369
7/8"	Inswing Strike	6389
1"	Inswing Strike	6449
1-1/8"	Inswing Strike	6429
All	Keeper for Above Strikes	6499
All	Keeper for Above Strikes (Emergency Access)	6789
3/4"	Inswing Strike & Keeper - with Tab	6469
All	Inswing or Outswing Strike - One Piece	6329
All	Inswing Keeper - One Piece	6319
INSWING-FLATS		
3/4"	Inswing Strike & Keeper	5147509
7/8"	Inswing Strike & Keeper	5148759
1"	Inswing Strike & Keeper	5141009
1-1/4"	Inswing Strike & Keeper	5141259
3/4"	Inswing Strike & Keeper (Emergency Access)	5287509
7/8"	Inswing Strike & Keeper (Emergency Access)	5288759
1"	Inswing Strike & Keeper (Emergency Access)	5281009
1-1/4"	Inswing Strike & Keeper (Emergency Access)	5281259
OUTSWING		
1/2"	Outswing Strike & Keeper	6359
3/4"	Outswing Strike & Keeper	6379
7/8"	Outswing Strike & Keeper	6399
1"	Outswing Strike & Keeper	6459
1-1/8"	Outswing Strike & Keeper	6599
1/2"	Outswing Strike & Keeper (Emergency Access)	6899
3/4"	Outswing Strike & Keeper (Emergency Access)	6569
1"	Outswing Strike & Keeper (Emergency Access)	6559
OUTSWING-FLATS		
1/2"	Outswing Strike & Keeper	5265009
3/4"	Outswing Strike & Keeper	5267509
7/8"	Outswing Strike & Keeper	5268759
1/2"	Outswing Strike & Keeper (Emergency Access)	6435009
3/4"	Outswing Strike & Keeper (Emergency Access)	6437509
1"	Outswing Strike & Keeper (Emergency Access)	6431009



6789
INSWING

6499
INSWING

6389
INSWING

5141009
INSWING

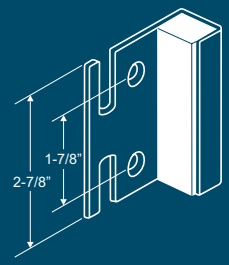
5288759
INSWING



6319
INSWING

6329
INSWING

6469
INSWING



6437509
OUTSWING

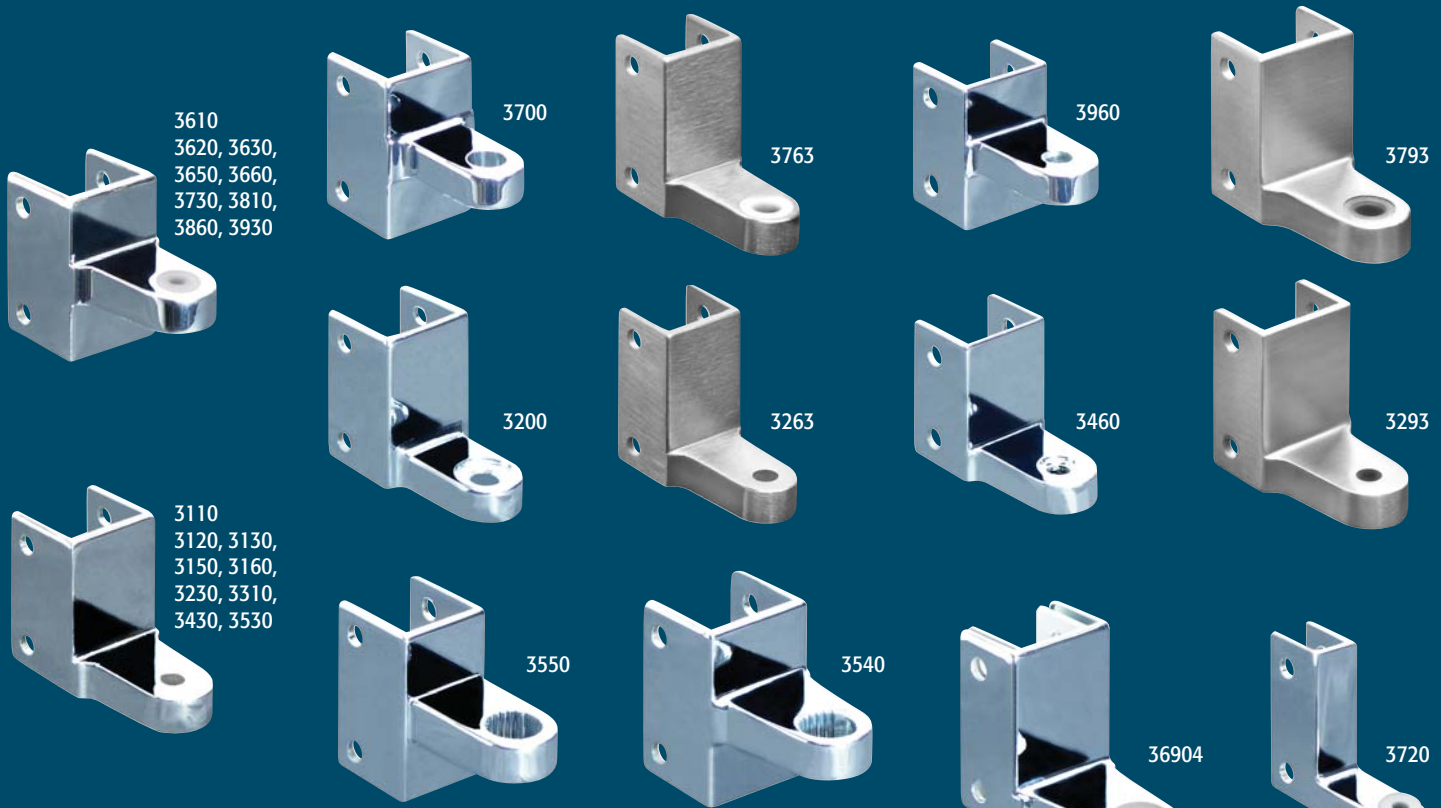
5268759
OUTSWING

6569
OUTSWING

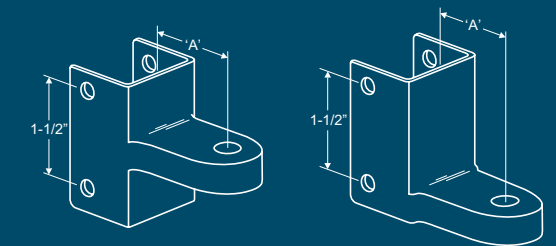
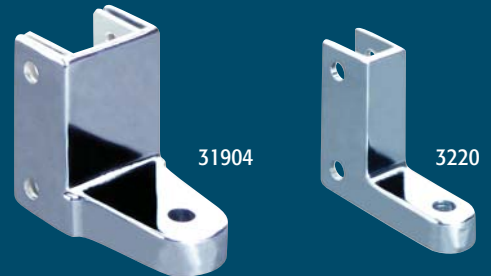
6459
OUTSWING

*ALL MATERIAL AT 14 GAUGE (.075") WITH #4 SATIN FINISH. ALL PARTS USE #6309 SLIDE LATCH (found on page 18)

Wrap Around Gravity Pivot Hinges SQUARE EDGE POSTS



POST SIZE	LOCATION	CHROME PLATED ZAMAC	CHROME PLATED BRASS	POLISHED BRASS	CAST STAINLESS STEEL	DESCRIPTION	USE PIN	USE PINTLE OR CANDLE	USE CAM	"A" DIM
1/2"	Top	3720				G-1/2	99585	98265	98275	1.265"
	Bottom	3220								
1"	Top	3760			3763	G-4	99109	98265	98275	1.265"
	Bottom	3260			3263					
1-1/8"	Top	36904				G-2 (With Inserts)	99109	98175	98245	1.265"
	Bottom	31904								
1-1/4"	Top	3610	3611	3612	3613	AMPCO	99585	98265	98275	1.250"
	Bottom	3110	3111	3112	3113					
1-1/4"	Top	3620				GLOBAL		98175		1.155"
	Bottom	3120								1.197"
1-1/4"	Top	3630	3631	3632	3633	FIAT	99574	98175	98185	1.275"
	Bottom	3130	3131	3132	3133					
1-1/4"	Top	3650	3651		3653	SHANAHAN	98544	98175	98195	1.363"
	Bottom	3150	3151		3153					
1-1/4"	Top	3660	3661	3662	3663	COLUMBIA	99109	98175	98245	1.265"
	Bottom	3160	3161	3162	3163					
1-1/4"	Top	3700			3703	ACCURATE				1.200"
	Bottom	3200			3203					
1-1/4"	Top	3730	3731		3733	FLUSH METAL	98584	98175	98185	1.200"
	Bottom	3230	3231		3233					
1-1/4"	Top	3790	3681	3682	3793	G-3	99109	98265	98275	1.265"
	Bottom	3290	3181	3182	3293			98175	98245	
1-1/4"	Top	3860			3863	KNICKERBOCKER (LAMINATE)	98614	97275		1.433"
	Bottom	3530			3533					
1-1/4"	Top	3810	3811		3813	KNICKERBOCKER & GENERAL (STEEL)	98614	97275	97265	1.385"
	Bottom	3310	3311		3313					
1-1/4"	Top	3930			3933	METPAR	98584	97235		1.104"
	Bottom	3430			3433					
1-1/4"	Top	3960				SANYMETAL	98715	97280		1.093"
	Bottom	3460								
1"	Top & Bottom	3550				M-3 Bottom or Top	99109	89830	89820	1.300"
1-1/4"	Top & Bottom	3540	3541	3542		M - Bottom or Top	99109	89830	89820	1.300"



PINS, PINTLES & CAMS SOLD SEPERATELY. SEE PAGE 23.

POST	DOOR	PIVOT HINGE (Roller Bearing Design)			
1/2"	1/2"				7803
3/4" & 1"	1/2"				7853 Includes 3/4" Inserts
3/4" & 1"	3/4" & 1"				7813 Includes 3/4" Inserts

Wrap Around Gravity Pivot Hinges

ROUND EDGE POSTS

POST SIZE	LOCATION	CHROME PLATED ZAMAC	CHROME PLATED BRASS	POLISHED BRASS	CAST STAINLESS STEEL	DESCRIPTION	USE PIN	USE PINTLE OR CANDLE	USE CAM	"A" DIM
1-1/4"	Top	3510	3511	3512	3513	FLUSH METAL	98584	98175	98185	1.085"
	Bottom	3010	3011	3012	3013					1.156"
1-1/4"	Top	3900			3903	SANY METAL	98715	97290		1.065"
	Bottom	3060			3403					
1-1/4"	Top	3910			3913	KNICKERBOCKER & GENERAL	98614	97265		1.385"
	Bottom	3420			3423			97275		
1-1/4"	Top	4530	4531		4533	METPAR	98584		97435	1.070"
	Bottom	4040	4041		4043				1.104"	
1-1/4"	Top	4530	4531		4533	AMPICO	98584	98175	98185	1.070"
	Bottom	4040	4041		4043					1.104"



3510



3010



3910



3900



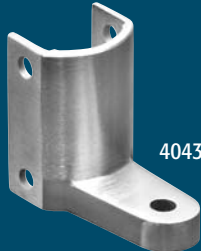
4533



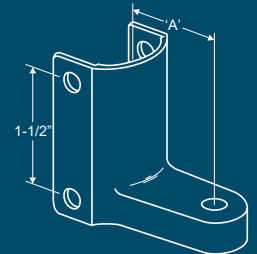
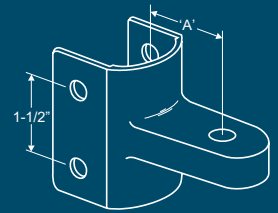
3420



3060



4043



FLATS

LOCATION	CHROME PLATED ZAMAC	CHROME PLATED BRASS	POLISHED BRASS	CAST STAINLESS STEEL	DESCRIPTION	USE PIN	USE PINTLE OR CANDLE	USE CAM	"A" DIM
Top	3710			3713	ACCURATE				1.200"
Bottom	3210			3213					
Top	3740	3741		3743	AMPICO (LAMINATE)	99585	98265	98275	1.250"
Bottom	3240	3241		3243					
Top	3880			3883	AMPICO & METPAR (STEEL)	98584	97245	98185	1.104"
Bottom	3280			3283			98175		
Top	3750	3751	3752	3753	G-3	99109	98265	98275	1.265"
Bottom	3250	3251	3252	3253			98175	98245	
Top	3940			3943	KNICKERBOCKER (LAMINATE)	98614	97275		1.433"
Bottom	3870			3873					
Top	3970	3971		3973	KNICKERBOCKER & GENERAL (STEEL)	98614	97275	97265	1.385"
Bottom	3470	3471		3473					



3710



3753



3210



3253



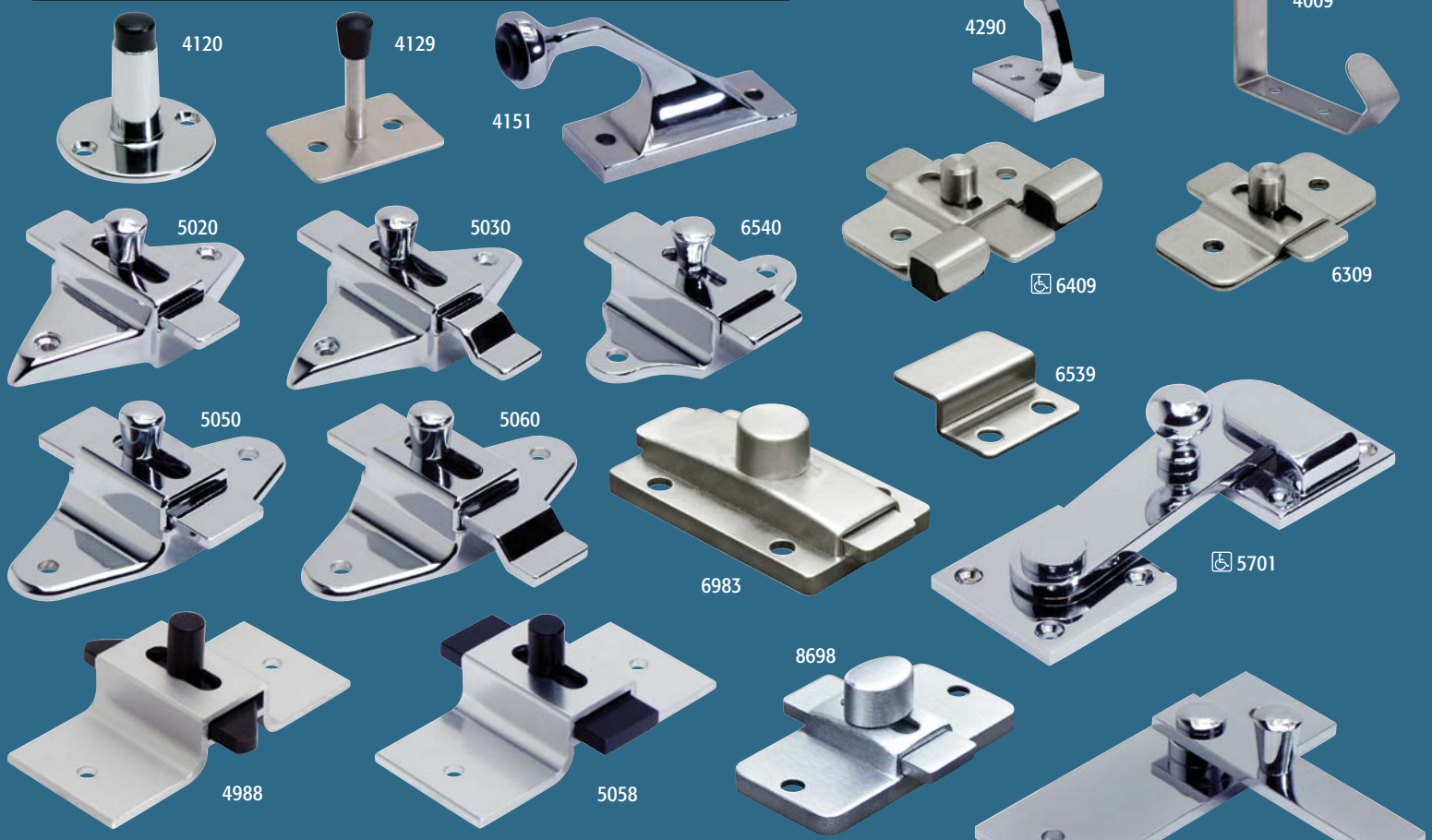
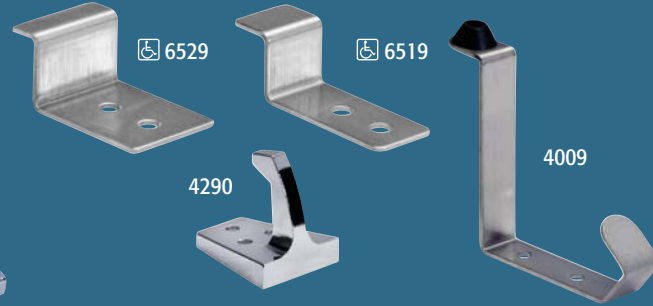
3740
3880, 3940 3970



3240
3280, 3470 3870

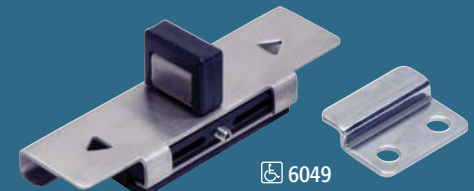
Hooks, Door Stops & Latches

CHROME PLATED ZAMAC	CHROME PLATED BRASS	POLISHED BRASS	CAST STAINLESS STEEL	STAMPED STAINLESS STEEL	HOOKS
4000	4001	4002	4003		Hook & Bumper Combination (7/32" Dia. Holes)
			4113		Hook & Bumper Combination (1/4" Dia. Holes)
4020	4021	4022	4023		Two Prong Hook (7/32" Dia. Holes)
4260					Hook & Bumper Combination (7/32" Dia. Holes)
4280					Hook & Bumper Combination (1/4" Dia. Holes)
4290					Hook (3/16" Dia. Holes)
				4009	Flat & Bumber- 5/8" x 2-13/16" Extension (3/16" Dia. Holes)
				6519	Flat-1" x 1" Extension (9/32" Dia. Holes)
				6529	Flat-1/2" x 1" Extension (1/4") Dia. Holes)
DOOR STOPS					
4120		4122*	4123	4129	2" High *Brass Plated Zamac
	4151		4153		Pilaster Mounted



FOR PROPER FUNCTION, ALL LATCHES REQUIRE A MATING STRIKE & KEEPER

CHROME PLATED ZAMAC	CHROME PLATED BRASS	POLISHED BRASS	CAST STAINLESS STEEL	CLEAR ANODIZED ALUMINUM	BRITE-DIP ALUMINUM	STAMPED STAINLESS STEEL	SLIDE LATCHES
5020	5021	5022	5023				Standard for #6200 Door Pull (2-3/4" Centers)
5030	5031	5032	5033				Offset Bar with #5020 (2-3/4" Centers)
5040	5041	5042	5043				Reverse Offset Bar with #5020 (2-3/4" Centers)
5000			5003				Reverse Offset Bar with #5050 (3-1/2" Centers)
5050	5051	5052	5053				Standard for #5400 Door Pull (3-1/2" Centers)
5060	5061	5062	5063				Offset Bar with #5050 (3-1/2" Centers)
6540							Standard for #6020 Door Pull (2-5/8" Centers)
			6983				Straight Bar - Four Hole (1-1/2" Centers Height)
8698*							Straight Bar (2-3/4" Centers) *Satin Finish
				4988	4984		Angled Bar (3-1/2" Centers)
				5054	5058		Straight Bar (3-1/2" Centers)
						6049	With Keeper
						6069	With Keeper, Indicator and Door Pull
						6309	For all Stamped Stainless Steel Strike & Keepers
						6409	Inswing Latch & Strike Combination
						6539	Keeper for #6409
THROW LATCHES							
	5151		5153				Use with "T" Type Strike & Keepers
	5701		5703				Heavy Duty Latch & Keeper



FOR 1" DOORS *Concealed Latches & Knob Sets*



4230



CHROME PLATED ZAMAC	CONCEALED LATCHES
5080	Laminate Doors
5090	Steel Doors - Flat Tip Bar
5190	Steel Doors
"ADA" DOORS	
6080	Laminate Doors
6090	Steel Doors - Flat Tip Bar
6190	Steel Doors
8080	Laminate Doors
8090	Steel Doors - Flat Tip Bar
8190	Steel Doors
8860	Steel Doors
SQUARE OPENINGS	
4230	Steel Doors
4240	Steel Doors with Indicator



4240



CHROME PLATED ZAMAC	SATIN FINISH ZAMAC	KNOB SETS
6140	6148	Standard - For #6606 Housing
6150	6158	"ADA" - For #6606 Housing
6160		"ADA" - For Knickerbocker & General Housing
6170		"ADA" - For Knickerbocker & General Housing
111940		"ADA" - For Sanymetal Housing
111950		Standard - For Knickerbocker & General Housing
		LATCH HOUSING
6606 *		For #6140 & 6150 Knob Sets *Non-Plated



6606



6150



6140

Door Pulls & Fix-It Kits



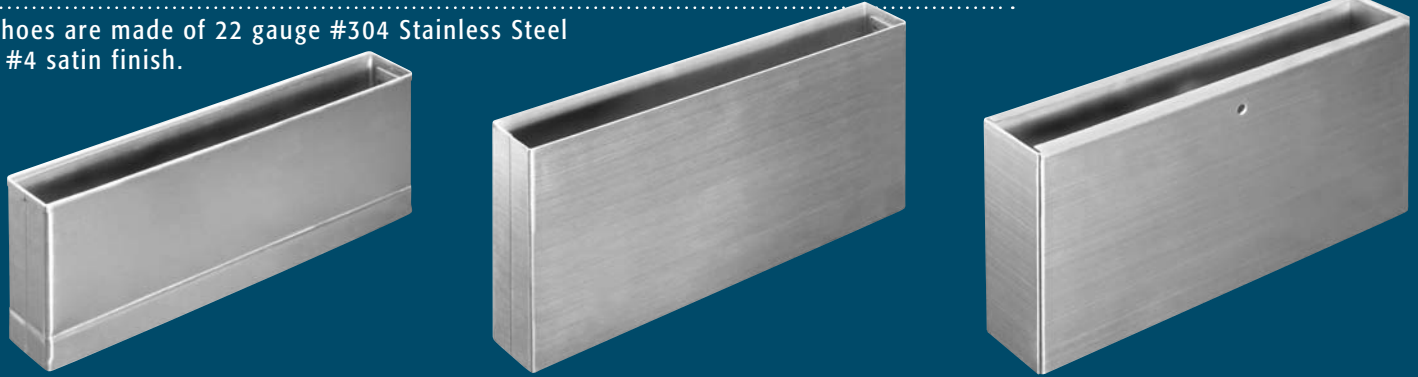
CHROME PLATED ZAMAC	CHROME PLATED BRASS	POLISHED BRASS	CAST STAINLESS STEEL	STAMPED STAINLESS STEEL	DOOR PULLS
5400	5401	5402	5403		3-1/2" Centers
	5421	5422	5423		4" Centers
5440			5443		3-1/2" Centers (Used with #5400)
54400			54403		Door Pull Set (#5400 & 5440 with mounting hardware)
6200	6201	6202	6203		2-3/4" Centers
	6251		6253		3" High "ADA"
				6419	5" Centers
6020					2-5/8" Centers



CHROME PLATED ZAMAC	CAST STAINLESS STEEL	FIX-IT KITS (with stainless plate) (see inside back cover)
SQUARE EDGE DOORS		
115490		Fix-It Kit for Inswing Doors - 1"
115500		Fix-It Kit for Outswing Doors - 1"
115510		Fix-It Kit for Outswing Doors - 1" (with Door Pull)
RADIAL EDGE DOORS		
111680	111683	Fix-It Kit for Inswing Doors - 1"
111690	111693	Fix-It Kit for Outswing Doors - 1"
111700	111703	Fix-It Kit for Outswing Doors - 1" (with Door Pull)
DOOR HOOK		
	115523	Fix-It Kit (Uses #4113 Hook)

Pilaster Shoes & Anchoring Devices

All Shoes are made of 22 gauge #304 Stainless Steel with #4 satin finish.



*3" HIGH PILASTER SHOES

*4" HIGH PILASTER SHOES

4" HIGH 'OFFSET' PILASTER SHOES

Length	Width					
	1/2"	3/4"	7/8"	1"	1-1/8"	1-1/4"
2"	36029	35029	31029	34029	33029	32029
3"	36039	35039	31039	34039	33039	32039
4"	36049	35049	31049	34049	33049	32049
5"	36059	35059	31059	34059	33059	32059
6"	36069	35069	31069	34069	33069	32069
7"	36079	35079	31079	34079	33079	32079
8"	36089	35089	31089	34089	33089	32089
9"	36099	35099	31099	34099	33099	32099
10"	36109	35109	31109	34109	33109	32109
11"	36119	35119	31119	34119	33119	32119
12"	36129	35129	31129	34129	33129	32129
13"	36139	35139	31139	34139	33139	32139
14"	36149	35149	31149	34149	33149	32149
15"		35159	31159	34159	33159	32159
16"	36169	35169	31169	34169	33169	32169
17"		35179	31179	34179	33179	32179
18"	36189	35189	31189	34189	33189	32189
19"	36199	35199		34199	33199	32199
20"	36209	35209	31209	34209	33209	32209
21"		35219	31219	34219		32219
22"	36229	35229	31229	34229	33229	32229
23"		35239	31239	34239		32239
24"	36249	35249	31249	34249	33249	32249
25"	36259	35259	31259	34259	33259	32259
26"	36269	35269		34269	33269	32269
28"	36289	35289	31289	34289	33289	32289
30"	36309	35309	31309	34309	33309	32309

Length	Width					
	1/2"	3/4"	7/8"	1"	1-1/8"	1-1/4"
2"	46029	45029	41029	44029	43029	42029
3"	46039	45039	41039	44039	43039	42039
4"	46049	45049	41049	44049	43049	42049
5"	46059	45059	41059	44059	43059	42059
6"	46069	45069	41069	44069	43069	42069
7"	46079	45079	41079	44079	43079	42079
8"	46089	45089	41089	44089	43089	42089
9"	46099	45099	41099	44099	43099	42099
10"	46109	45109	41109	44109	43109	42109
11"	46119	45119	41119	44119	43119	42119
12"	46129	45129	41129	44129	43129	42129
13"		45139	41139	44139	43139	42139
14"	46149	45149	41149	44149	43149	42149
15"		45159		44159	43159	42159
16"	46169	45169	41169	44169	43169	42169
17"			41179	44179		42179
18"	46189	45189	41189	44189	43189	42189
19"			41199	44199	43199	42199
20"	46209	45209	41209	44209	43209	42209
21"		45219	41219	44219	43219	42219
22"	46229	45229	41229	44229	43229	42229
23"			41239	44239		42239
24"	46249	45249	41249	44249	43249	42249
25"		45259	41259	44259	43259	42259
26"	46269	45269		44269	43269	42269
28"	46289	45289		44289	43289	42289
30"	46309	45309	41309	44309	43309	42309

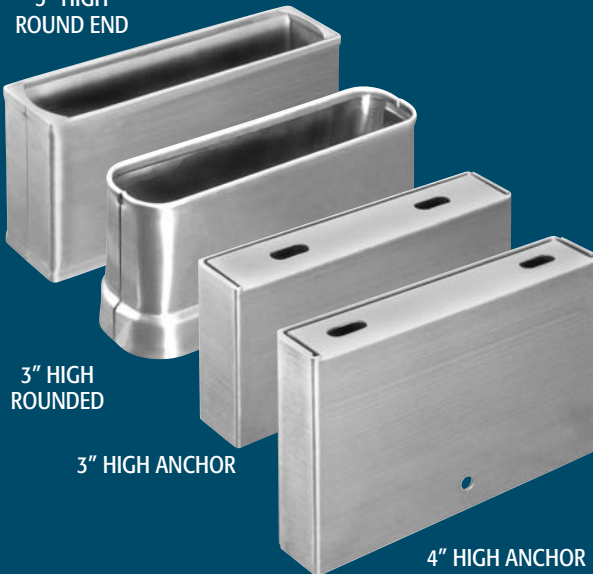
Length	Width*		
	1/2"	3/4"	1"
2"	56029	55029	54029
3"	56039	55039	54039
4"	56049	55049	54049
5"	56059	55059	54059
6"	56069	55069	54069
7"	56079	55079	54079
8"	56089	55089	54089
9"	56099	55099	54099
10"	56109	55109	54109
12"	56129	55129	54129
14"	56149	55149	54149
16"	56169	55169	54169
18"	56189	55189	54189
20"	56209	55209	54209
22"	56229	55229	54229
24"	56249	55249	54249

Widths measured at top opening

PILASTER ANCHORING DEVICES	
PART #	DESCRIPTION
3030	1-1/4" Pilaster Shoe (Use with #98334 Tube)
3040	1-3/4" Pilaster Shoe (Use with #98434 Tube)
6000	1-1/4" x 3" Post Shoe
8503	1-1/4" Pilaster Anchor Bracket (11-1/2" - 14" Range)
85083	1-1/4" Pilaster Anchor Bracket (9-1/2" - 12" Range)
85093	1-1/4" Pilaster Anchor Bracket (7-1/2" - 10" Range)
8513	1-1/4" Pilaster Anchor Bracket - One Ear (11-1/2" - 14" Range)
85183	1-1/4" Pilaster Anchor Bracket - One Ear (9-1/2" - 12" Range)
85193	1-1/4" Pilaster Anchor Bracket - One Ear (7-1/2" - 10" Range)

* Custom sizes available upon request.
Open Ended available in all sizes.

3" HIGH
ROUND END



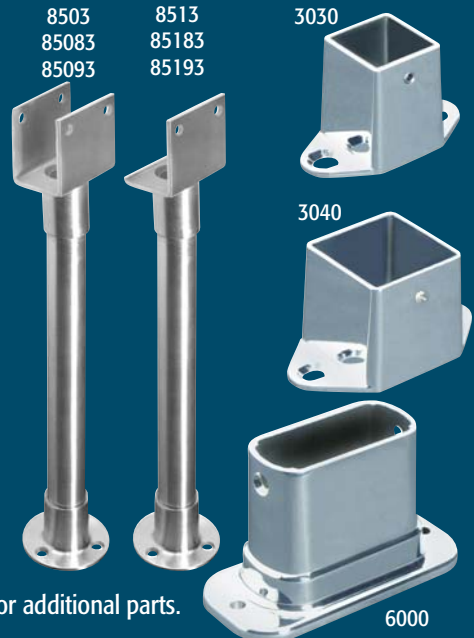
3" HIGH
ROUNDED

3" HIGH ANCHOR

4" HIGH ANCHOR

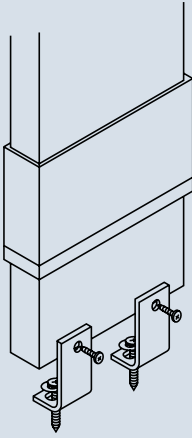
ANCHOR SHOES

Length	3" HIGH ROUNDED	3" HIGH ROUND END	Length	Width	
				3" HIGH (20 Gauge)	4" HIGH (18 Gauge)
2"	61029		3"	30039	48039
3"	61039	62039	4"	30049	48049
4"	61049	62049	5"	30059	48059
5"	61059	62059	6"	30069	48069
6"	61069	62069	7"	30079	48079
7"	61079	62079	8"	30089	48089
8"	61089	62089	9"	30099	48099
9"		62099	10"	30109	48109
10"	61109	62109	11"	30119	
12"	61129	62129	12"	30129	48129
14"		62149	14"	30149	48149
18"	61189	62189	16"	30169	
20"	61209		18"	30189	48189
21"		62219	20"	30209	
24"	61249	62249	22"	30229	
30"		62309	24"	30249	48249



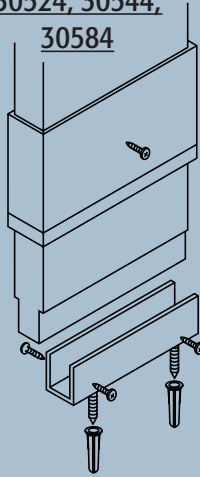
Pilaster Post Anchoring Packs & Devices

30414



For 1" Thick and Larger Pilaster Posts.

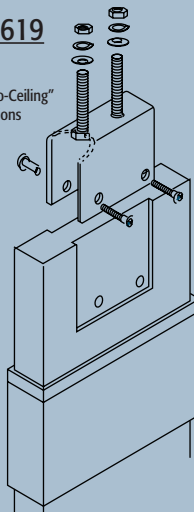
30524, 30544,
30584



30524 For 1-1/4" X 2" to 4" Posts.
30544 For 1-1/4" X 4" to 7" Posts.
30584 For 1-1/4" X 8" & Up.

30619

For all "Floor-to-Ceiling" Installations



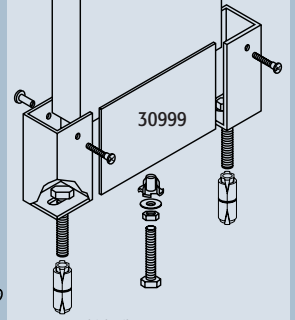
For all size posts.
Specify thickness of Pilaster Post when ordering.

30719

For all thickness posts.
Specify thickness of pilaster post when ordering.

Post Lengths	Qty
3" - 5"	one pc
6" - 17"	two pcs
18" +	3 pcs

30810

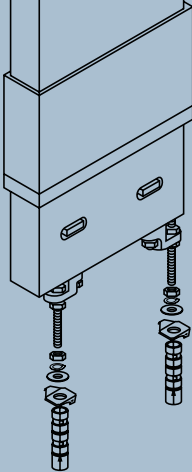


For 1-1/4" thick Pilaster Posts
Stainless Steel spacer plates must be ordered separately

30999

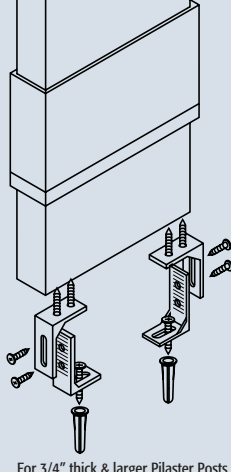
Stainless Steel spacer plates measure 3"x10".
Other lengths can be fabricated upon request.

31016



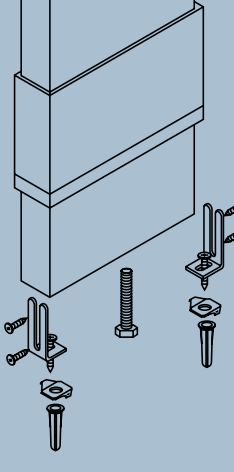
For 1-1/4" & 1-1/8" Posts.

31056



For 3/4" thick & larger Pilaster Posts.
For 4" wide & larger Pilaster Posts.

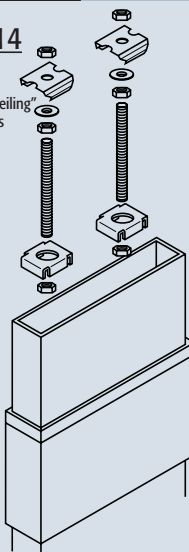
74030



For 1-1/4" & 1-1/8" Posts.

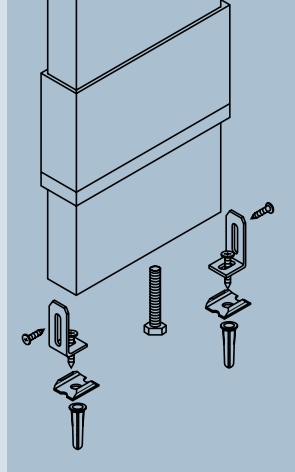
83314

For all "Floor-to-Ceiling" Installations



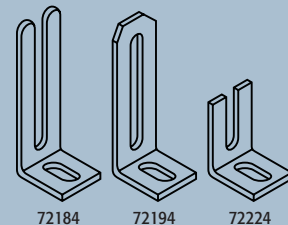
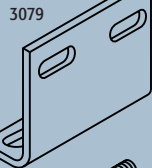
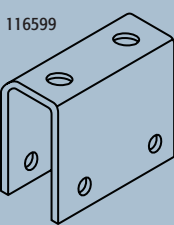
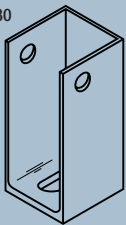
For 1-1/4" steel Pilaster Posts.

83354



For 1-1/4" & 1-1/8" Posts.

3080



6816



6826



95154



95144



8106



8116



9005



9015



87304-87934



3106



96374



72204



72274

96356



72214



96924



96324



96914



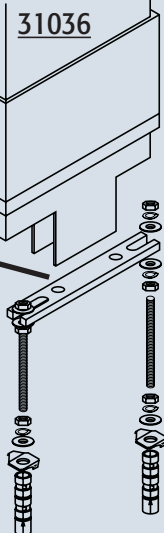
96914

PART #	DESCRIPTION
3079	3" x 2-1/2" L-Bracket
3080	1-1/4" Split Pilaster Shoe (One-Piece)
3106	Pilaster Foot
6816	Top L-Anchor for Plastic Laminate
6826	Bottom L-Anchor for Plastic Laminate
8106	3/8" Expansion Floor Anchor
8116	3/8" Double Expansion Floor Anchor
9005	Plastic Anchor for #10 - 12 Screws
9015	Plastic Anchor for #14 - 16 Screws
30999	3" x 10" Spacer Plate (Two-Pack) Used with #3080
72184	Pilaster Anchor Fork (Open)
72194	Pilaster Anchor Fork (Closed)
72204	Spring Clip
72214	Box Clamp Anchor

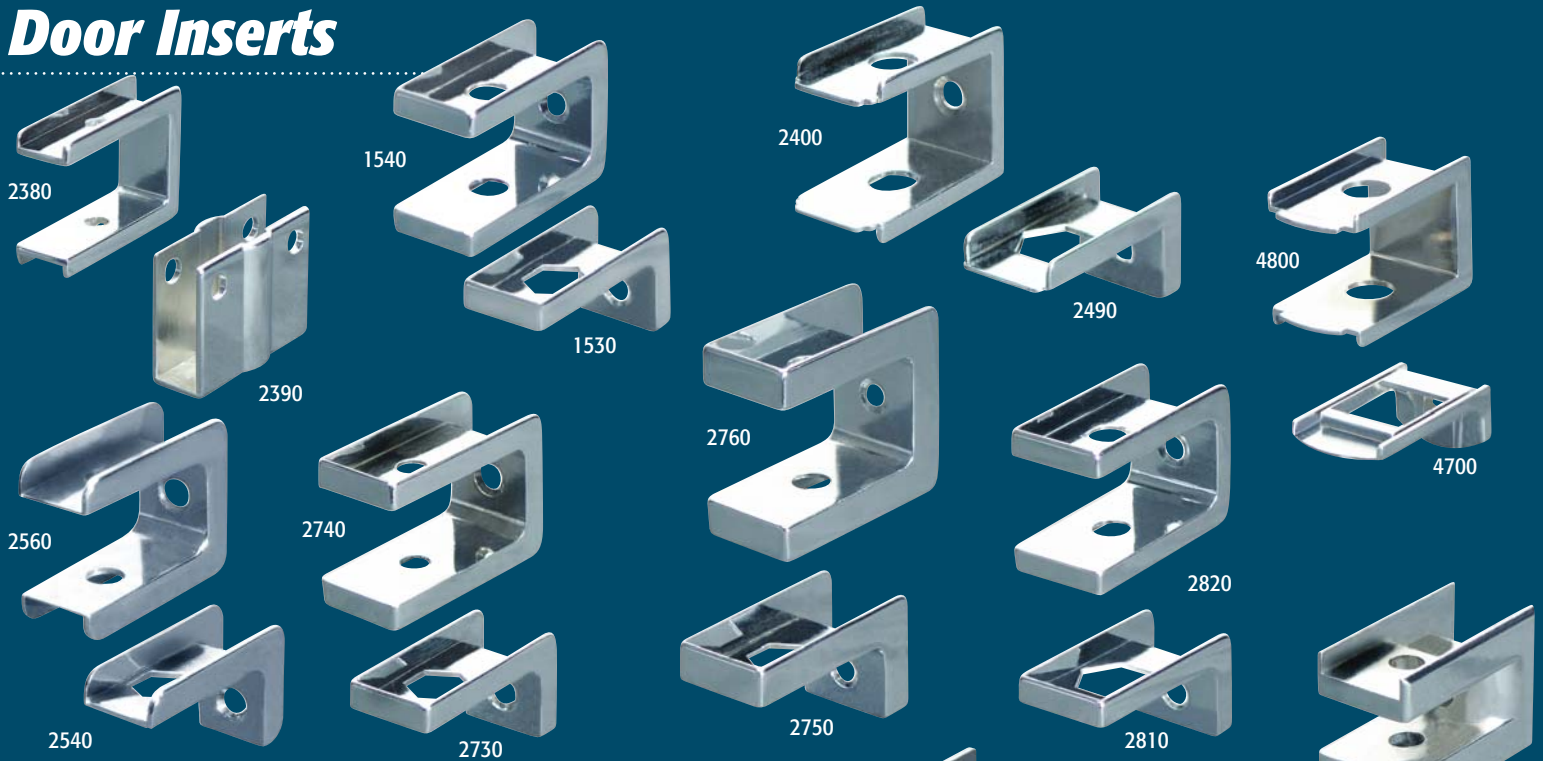
PART #	DESCRIPTION
72224	Pilaster Anchoring Fork - Half Height (Open)
72274	Spring Clip
87304	3/8-16 x 4" Threaded Rod - Zinc Plated
87334	3/8-16 x 6" Threaded Rod - Zinc Plated
87374	3/8-16 x 8" Threaded Rod - Zinc Plated
87394	3/8-16 x 10" Threaded Rod - Zinc Plated
95144	3/8-16 x 2-1/2" Hex Bolt - Zinc Plated
95154	1/2" x 3" Anchor Sleeve with 3/8 Nut & Washer
96324	3/8-16 Hex Nut
96356	3/8-16 x 7/8" Square Nut
96374	3/8-16 4-Prong T-Nut
96914	3/8" Split Lock Washer
96924	3/8" Flat Washer
116599	3/4" X-Long U-Bracket

PILASTER MOUNTING BARS	
Part #	Post Size
65039	3"
65049	4"
65059	5"
65069	6"
65079	7"
65089	8"
65099	9"
65109	10"
65129	12"

Consists of Fasteners only.
Mounting Bars must be ordered separately.

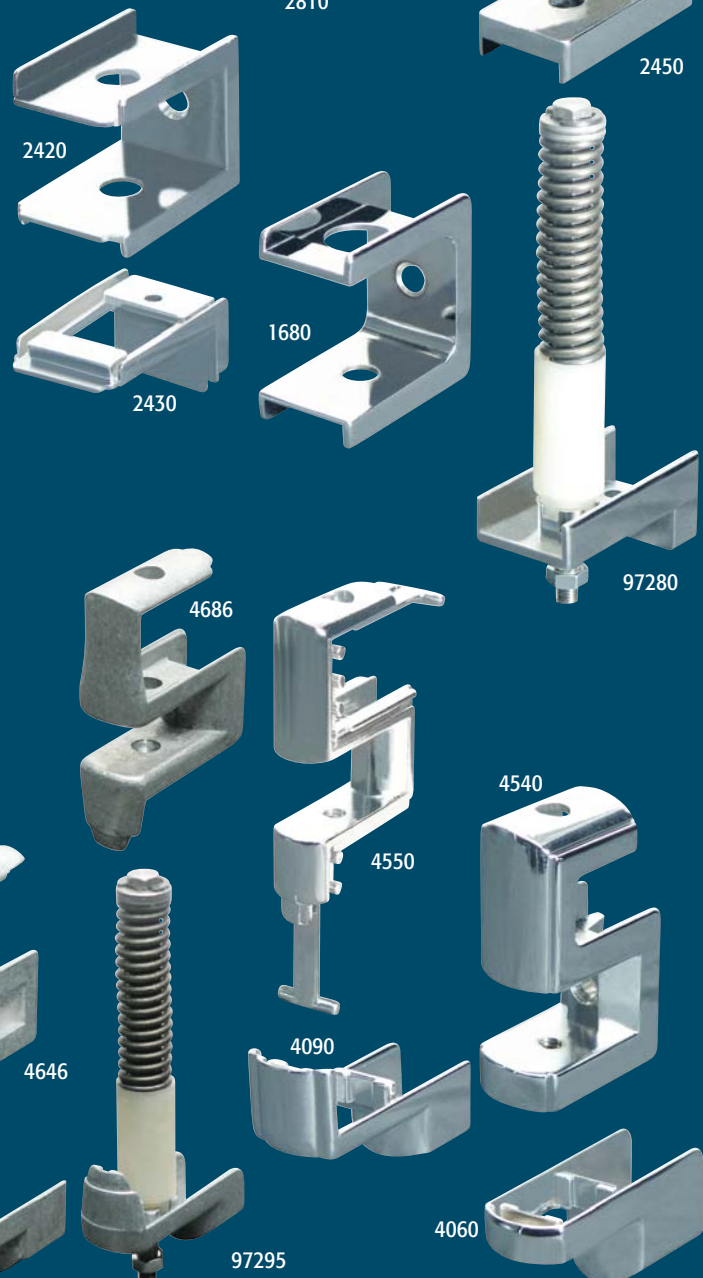


Door Inserts



FOR SQUARE EDGE DOORS

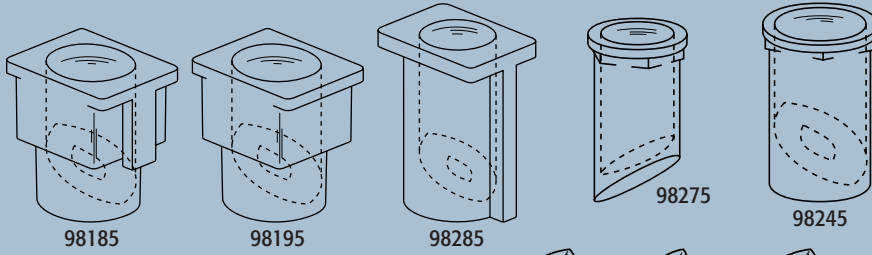
DOOR SIZE	LOCATION	CHROME PLATED ZAMAC	BRASS PLATED ZAMAC	SATIN FINISH ZAMAC	DESCRIPTION	USE PIN	USE PINTLE OR CANDLE	USE CAM	"A" DIM	"B" DIM																																																																																																																																																																																										
1/2"	Top	2380				99585	98265	98275	2-1/16"	1-1/2"																																																																																																																																																																																										
	Bottom	2390									3/4"	Top	2560		2568		99109	97205	97215	2-11/32"	1-3/4"	Bottom	2540		2548		7/8"	Top	1540	1542	1548		99109	98265	98275	2-3/8"	1-5/8"	Bottom	1530	1532	1538		7/8"	Top	2740		2748	AMPCO	98585	98265	98275	2-3/8"	1-5/8"	Bottom	2730		2738		7/8"	Top	2780		2788		99109	98265	98275	2-1/2"	1-1/2"	Bottom	2770		2778		1"	Top	2400	2402			99109	98175	98245	2-7/32"	1-23/32"	Bottom	2490	2492			1"	Top	2450			SANYMETAL	98715	INCLUDED		2-9/32"	1-5/8"	Bottom	97280				1"	Top	2720		2728	AMPCO	99585	98265	98275	2-11/32"	1-5/8"	Bottom	2710		2718		1"	Top	2760		2768		99109	98265	98275	2-15/32"	2-5/32"	Bottom	2750		2758		1"	Top	2820	2822	2828		99109	98175	98245	2-11/32"	1-5/8"	Bottom	2810	2812	2818		1"	Top	4800			FIAT	99574	98175	98195	2-3/16"	1-5/8"	Bottom	4700				1"	Top & Bottom	1680		1688	CAPITAL	99109	89830	89820	2-5/16"	2-3/16"						1-1/4"	Top	2420			SHANAHAN	98544	98175	98195	2-9/32"
3/4"	Top	2560		2568		99109	97205	97215	2-11/32"	1-3/4"																																																																																																																																																																																										
	Bottom	2540		2548							7/8"	Top	1540	1542	1548		99109	98265	98275	2-3/8"	1-5/8"	Bottom	1530	1532	1538		7/8"	Top	2740		2748	AMPCO	98585	98265	98275	2-3/8"	1-5/8"	Bottom	2730		2738		7/8"	Top	2780		2788		99109	98265	98275	2-1/2"	1-1/2"	Bottom	2770		2778		1"	Top	2400	2402			99109	98175	98245	2-7/32"	1-23/32"	Bottom	2490	2492			1"	Top	2450			SANYMETAL	98715	INCLUDED		2-9/32"	1-5/8"	Bottom	97280				1"	Top	2720		2728	AMPCO	99585	98265	98275	2-11/32"	1-5/8"	Bottom	2710		2718		1"	Top	2760		2768		99109	98265	98275	2-15/32"	2-5/32"	Bottom	2750		2758		1"	Top	2820	2822	2828		99109	98175	98245	2-11/32"	1-5/8"	Bottom	2810	2812	2818		1"	Top	4800			FIAT	99574	98175	98195	2-3/16"	1-5/8"	Bottom	4700				1"	Top & Bottom	1680		1688	CAPITAL	99109	89830	89820	2-5/16"	2-3/16"						1-1/4"	Top	2420			SHANAHAN	98544	98175	98195	2-9/32"	1-23/32"	Bottom	2430													
7/8"	Top	1540	1542	1548		99109	98265	98275	2-3/8"	1-5/8"																																																																																																																																																																																										
	Bottom	1530	1532	1538							7/8"	Top	2740		2748	AMPCO	98585	98265	98275	2-3/8"	1-5/8"	Bottom	2730		2738		7/8"	Top	2780		2788		99109	98265	98275	2-1/2"	1-1/2"	Bottom	2770		2778		1"	Top	2400	2402			99109	98175	98245	2-7/32"	1-23/32"	Bottom	2490	2492			1"	Top	2450			SANYMETAL	98715	INCLUDED		2-9/32"	1-5/8"	Bottom	97280				1"	Top	2720		2728	AMPCO	99585	98265	98275	2-11/32"	1-5/8"	Bottom	2710		2718		1"	Top	2760		2768		99109	98265	98275	2-15/32"	2-5/32"	Bottom	2750		2758		1"	Top	2820	2822	2828		99109	98175	98245	2-11/32"	1-5/8"	Bottom	2810	2812	2818		1"	Top	4800			FIAT	99574	98175	98195	2-3/16"	1-5/8"	Bottom	4700				1"	Top & Bottom	1680		1688	CAPITAL	99109	89830	89820	2-5/16"	2-3/16"						1-1/4"	Top	2420			SHANAHAN	98544	98175	98195	2-9/32"	1-23/32"	Bottom	2430																													
7/8"	Top	2740		2748	AMPCO	98585	98265	98275	2-3/8"	1-5/8"																																																																																																																																																																																										
	Bottom	2730		2738							7/8"	Top	2780		2788		99109	98265	98275	2-1/2"	1-1/2"	Bottom	2770		2778		1"	Top	2400	2402			99109	98175	98245	2-7/32"	1-23/32"	Bottom	2490	2492			1"	Top	2450			SANYMETAL	98715	INCLUDED		2-9/32"	1-5/8"	Bottom	97280				1"	Top	2720		2728	AMPCO	99585	98265	98275	2-11/32"	1-5/8"	Bottom	2710		2718		1"	Top	2760		2768		99109	98265	98275	2-15/32"	2-5/32"	Bottom	2750		2758		1"	Top	2820	2822	2828		99109	98175	98245	2-11/32"	1-5/8"	Bottom	2810	2812	2818		1"	Top	4800			FIAT	99574	98175	98195	2-3/16"	1-5/8"	Bottom	4700				1"	Top & Bottom	1680		1688	CAPITAL	99109	89830	89820	2-5/16"	2-3/16"						1-1/4"	Top	2420			SHANAHAN	98544	98175	98195	2-9/32"	1-23/32"	Bottom	2430																																													
7/8"	Top	2780		2788		99109	98265	98275	2-1/2"	1-1/2"																																																																																																																																																																																										
	Bottom	2770		2778							1"	Top	2400	2402			99109	98175	98245	2-7/32"	1-23/32"	Bottom	2490	2492			1"	Top	2450			SANYMETAL	98715	INCLUDED		2-9/32"	1-5/8"	Bottom	97280				1"	Top	2720		2728	AMPCO	99585	98265	98275	2-11/32"	1-5/8"	Bottom	2710		2718		1"	Top	2760		2768		99109	98265	98275	2-15/32"	2-5/32"	Bottom	2750		2758		1"	Top	2820	2822	2828		99109	98175	98245	2-11/32"	1-5/8"	Bottom	2810	2812	2818		1"	Top	4800			FIAT	99574	98175	98195	2-3/16"	1-5/8"	Bottom	4700				1"	Top & Bottom	1680		1688	CAPITAL	99109	89830	89820	2-5/16"	2-3/16"						1-1/4"	Top	2420			SHANAHAN	98544	98175	98195	2-9/32"	1-23/32"	Bottom	2430																																																													
1"	Top	2400	2402			99109	98175	98245	2-7/32"	1-23/32"																																																																																																																																																																																										
	Bottom	2490	2492								1"	Top	2450			SANYMETAL	98715	INCLUDED		2-9/32"	1-5/8"	Bottom	97280				1"	Top	2720		2728	AMPCO	99585	98265	98275	2-11/32"	1-5/8"	Bottom	2710		2718		1"	Top	2760		2768		99109	98265	98275	2-15/32"	2-5/32"	Bottom	2750		2758		1"	Top	2820	2822	2828		99109	98175	98245	2-11/32"	1-5/8"	Bottom	2810	2812	2818		1"	Top	4800			FIAT	99574	98175	98195	2-3/16"	1-5/8"	Bottom	4700				1"	Top & Bottom	1680		1688	CAPITAL	99109	89830	89820	2-5/16"	2-3/16"						1-1/4"	Top	2420			SHANAHAN	98544	98175	98195	2-9/32"	1-23/32"	Bottom	2430																																																																													
1"	Top	2450			SANYMETAL	98715	INCLUDED		2-9/32"	1-5/8"																																																																																																																																																																																										
	Bottom	97280									1"	Top	2720		2728	AMPCO	99585	98265	98275	2-11/32"	1-5/8"	Bottom	2710		2718		1"	Top	2760		2768		99109	98265	98275	2-15/32"	2-5/32"	Bottom	2750		2758		1"	Top	2820	2822	2828		99109	98175	98245	2-11/32"	1-5/8"	Bottom	2810	2812	2818		1"	Top	4800			FIAT	99574	98175	98195	2-3/16"	1-5/8"	Bottom	4700				1"	Top & Bottom	1680		1688	CAPITAL	99109	89830	89820	2-5/16"	2-3/16"						1-1/4"	Top	2420			SHANAHAN	98544	98175	98195	2-9/32"	1-23/32"	Bottom	2430																																																																																													
1"	Top	2720		2728	AMPCO	99585	98265	98275	2-11/32"	1-5/8"																																																																																																																																																																																										
	Bottom	2710		2718							1"	Top	2760		2768		99109	98265	98275	2-15/32"	2-5/32"	Bottom	2750		2758		1"	Top	2820	2822	2828		99109	98175	98245	2-11/32"	1-5/8"	Bottom	2810	2812	2818		1"	Top	4800			FIAT	99574	98175	98195	2-3/16"	1-5/8"	Bottom	4700				1"	Top & Bottom	1680		1688	CAPITAL	99109	89830	89820	2-5/16"	2-3/16"						1-1/4"	Top	2420			SHANAHAN	98544	98175	98195	2-9/32"	1-23/32"	Bottom	2430																																																																																																													
1"	Top	2760		2768		99109	98265	98275	2-15/32"	2-5/32"																																																																																																																																																																																										
	Bottom	2750		2758							1"	Top	2820	2822	2828		99109	98175	98245	2-11/32"	1-5/8"	Bottom	2810	2812	2818		1"	Top	4800			FIAT	99574	98175	98195	2-3/16"	1-5/8"	Bottom	4700				1"	Top & Bottom	1680		1688	CAPITAL	99109	89830	89820	2-5/16"	2-3/16"						1-1/4"	Top	2420			SHANAHAN	98544	98175	98195	2-9/32"	1-23/32"	Bottom	2430																																																																																																																													
1"	Top	2820	2822	2828		99109	98175	98245	2-11/32"	1-5/8"																																																																																																																																																																																										
	Bottom	2810	2812	2818							1"	Top	4800			FIAT	99574	98175	98195	2-3/16"	1-5/8"	Bottom	4700				1"	Top & Bottom	1680		1688	CAPITAL	99109	89830	89820	2-5/16"	2-3/16"						1-1/4"	Top	2420			SHANAHAN	98544	98175	98195	2-9/32"	1-23/32"	Bottom	2430																																																																																																																																													
1"	Top	4800			FIAT	99574	98175	98195	2-3/16"	1-5/8"																																																																																																																																																																																										
	Bottom	4700									1"	Top & Bottom	1680		1688	CAPITAL	99109	89830	89820	2-5/16"	2-3/16"						1-1/4"	Top	2420			SHANAHAN	98544	98175	98195	2-9/32"	1-23/32"	Bottom	2430																																																																																																																																																													
1"	Top & Bottom	1680		1688	CAPITAL	99109	89830	89820	2-5/16"	2-3/16"																																																																																																																																																																																										
											1-1/4"	Top	2420			SHANAHAN	98544	98175	98195	2-9/32"	1-23/32"	Bottom	2430																																																																																																																																																																													
1-1/4"	Top	2420			SHANAHAN	98544	98175	98195	2-9/32"	1-23/32"																																																																																																																																																																																										
	Bottom	2430																																																																																																																																																																																																		



FOR ROUND EDGE (METAL) DOORS

DOOR SIZE	LOCATION	CHROME PLATED ZAMAC	UNPLATED ZAMAC	DESCRIPTION	USE PIN	USE PINTLE OR CANDLE	USE CAM
1"	Top	4540	4546	AMPCO & METPAR	98584	98175	98185
	Bottom	4060	4066				
1"	Top	4550	4556	FLUSH METAL	98584	98175	98185
	Bottom	4090	4096				
1"	Top		4646	GENERAL & KNICKERBOCKER	98614	97275	97265
	Bottom		4636				
1"	Top	4680	4686	SANYMETAL	98715	INCLUDED	
	Bottom	97290	97295				

Cams, Pintles & Hinge Pins



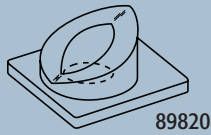
98185

98195

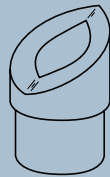
98285

98275

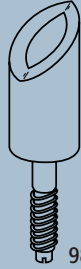
98245



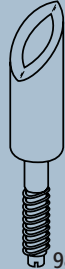
89820



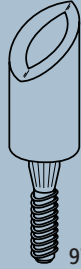
89830



98175

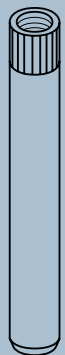


98265



97275

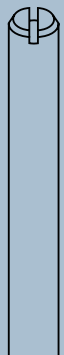
PART #		CAMS	
89820	M-Hinges (3540 & 3550)		
98185	Square - Unshaved		
98195	Square - Shaved		
98245	Round for 5/8" Pintle		
98275	Round for 1/2" Pintle		
98285	Round with Keylock (Use with #97205 Pintle only)		
PART #		PINTLES	
89830	M-Hinges (3540 & 3550)		
97205	1/2" Diameter (Use with #98285 Cam only)		
97275	5/8" Diameter (Knickerbocker)		
98175	5/8" Diameter		
98265	1/2" Diameter		
98305	Nut and Washer Pack for Pintles		
PART #		CAM & PINTLE SETS (WITH NUTS & WASHERS)	
PINTLE	CAM	DESCRIPTION	
97305	98265	98275	5/8" Round
97315	97205	98285	5/8" Round with Keylock
97325	98175	98245	3/4" Round
97335	98175	98195	7/8" Square - Shaved
97345	98175	98185	7/8" Square - Unshaved



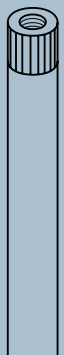
98715
98719



98614



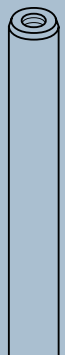
98584
98589



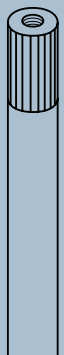
98634



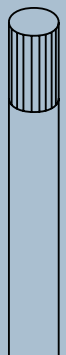
99585



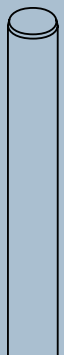
99574



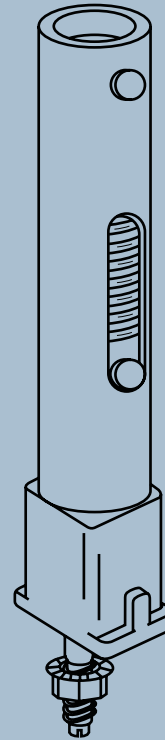
99109



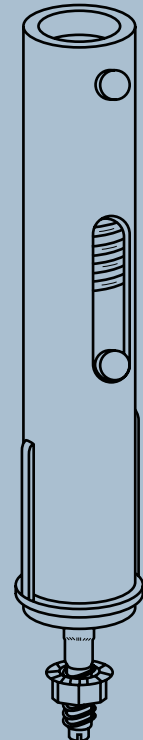
99119



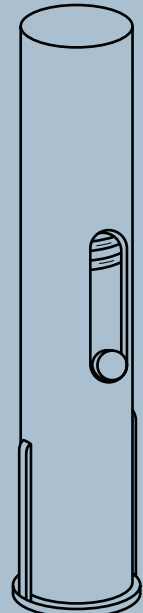
98544



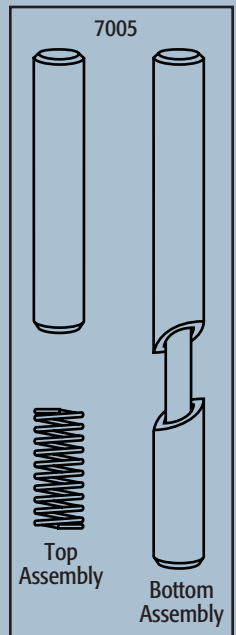
97435



97245



97265



7005

Top Assembly

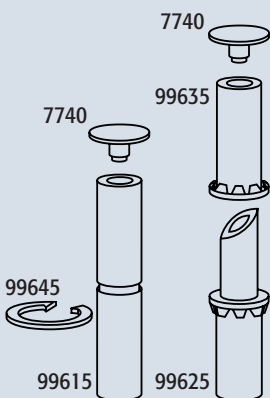
Bottom Assembly

PART #	HINGE PINS		
	MATERIAL	DIMENSIONS	USED FOR
98715	Knurled Plastic	3/8" Dia. x 2-1/2" L	Sanymetal
98719	Knurled Stainless		
98614	Knurled Steel	1/4" Dia. x 2-3/4" L	General
98584	Threaded Steel	3/8" Dia. x 3" L	Ampco, Metpar & Flush Metal
98589	Threaded Stainless		
98634	Knurled Steel	5/16" Dia. x 3" L	All American
99585	Knurled Steel	7/32" Dia. x 3-1/4" L	Ampco
99574	Zinc Plated Steel	7/16" Dia. x 3-5/16" L	Fiat
99109	Knurled Steel	3/8" Dia. x 3-1/2" L	
99119	Knurled Stainless		
98544	Zinc Plated Steel	3/8" Dia. x 3-3/4" L	Shanahan

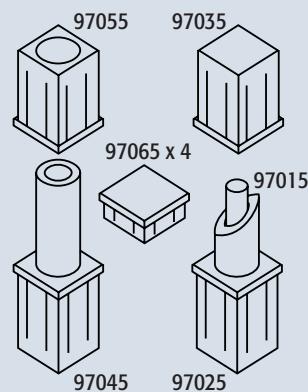
PART #	CANDLE CAMS
97435	Metpar
97245	General
97265	Knickerbocker

PART #	INTEGRAL HINGE SET
7005	Includes Three Set Screws (T-7 Bit Required for Installation)

REPLACEMENT PARTS FOR SURFACE HINGES ON PAGE 13

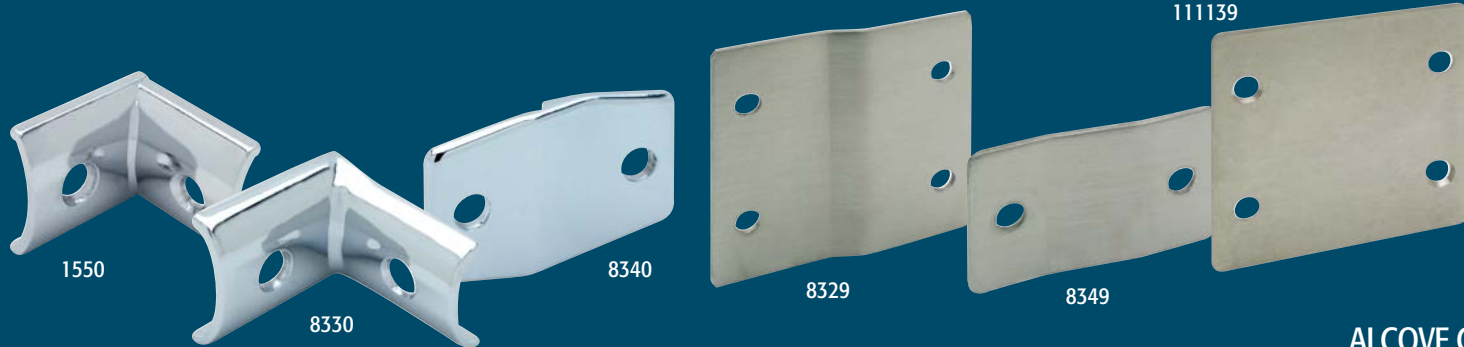


7035		USED WITH
CONTENTS		Round Barrel Hinge Parts for Surface Mounted Hinges (7011, 7021, 7033, 7043, 7053, 7063, 7113, 7123)
7740	Nylon Cap	
99615	Nylon Pin	
99625	Nylon Pintle	
99635	Nylon Cam	
99645	Nylon Retaining Ring	
7405		USED WITH
CONTENTS		Square Barrel Hinge Parts for Surface Mounted Hinges (7413, 7423)
97015	Pintle	
97025	Nylon Pintle Housing	
97035	Nylon Cam	
97045	Nylon Pin Assembly	
97055	Nylon Pin Housing	
97065	Nylon Cap	



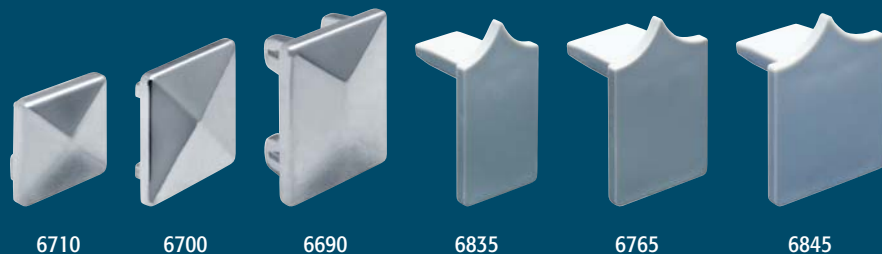
Alcove Clips & End Plugs

8309
8319
111139



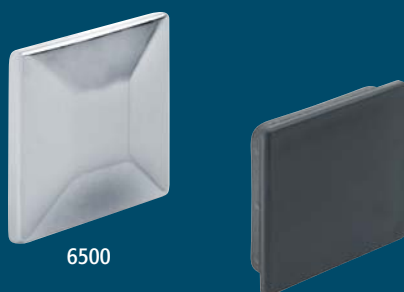
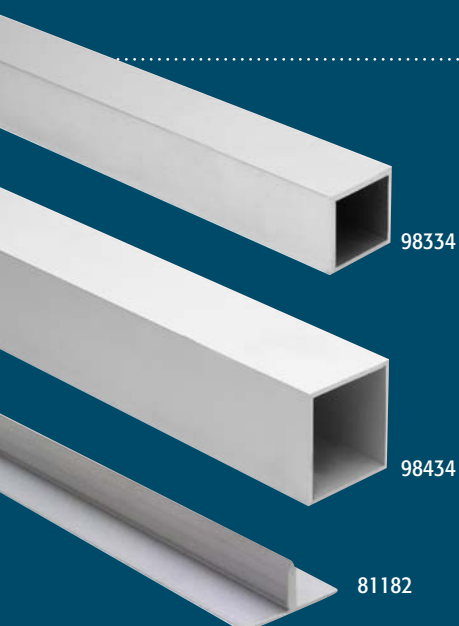
ALCOVE CLIPS

POST SIZE	CHROME PLATED ZAMAC	CHROME PLATED BRASS	POLISHED BRASS	CAST STAINLESS STEEL	STAMPED STAINLESS STEEL	DESCRIPTION
1" to 1-1/4"	1550					Right Angle-Curved Molding (Metpar)
1" to 1-1/4"	8330					Right Angle-Curved Molding (Flush Metal)
ALL					8329	Offset-Double High (1/2", 1/4" Per Side)
ALL	8340	8341	8342	8343	8349	Offset-Laminate 1/4" (1/8" Per Side)
ALL					8369	Equal Panel & Post (1-1/2" High x 2-5/8" Long)
ALL					8309	Equal Panel & Post (3" High x 2-3/4" Long)
ALL					8319	Equal Panel & Post (3" High x 54" Long)
ALL					111139	Equal Panel & Post (3" High x 57" Long)



HEADRAIL END PLUGS

POST SIZE	CHROME PLATED ZAMAC	SILVER PAINTED STEEL	GRAY NYLON	DESCRIPTION
ALL	6670	6672	6675	Anti-Grip (For all Jacknob Headrail)
1"	6660		6665	Rectangle
1"			6715	Flat (Marlite)
1-1/4"	6680			Rectangle
1-1/2"			6695	Anti-Grip (Shanahan)
1-1/4"			6725	Anti-Grip (Columbia)
1-1/2"			6705	Anti-Grip (Columbia)
3/4"	6710			Rectangle (Ampco)
1"	6700			Rectangle (Ampco)
1-1/4"	6690			Rectangle (Ampco)
3/4"			6835	For Headrail with Tracks
1"			6765	For Headrail with Tracks
1-1/4"			6845	For Headrail with Tracks



SQUARE TUBING

ALUMINUM	DESCRIPTION
98334	1-1/4" x 10' Length (Use with #3030 Post Shoe)
98434	1-3/4" x 10' Length (Use with #3040 Post Shoe)

HEAT SINK ("T" Style)

ALUMINUM	DESCRIPTION
81172	1" x 10' Length
81182	1" x 5' Length

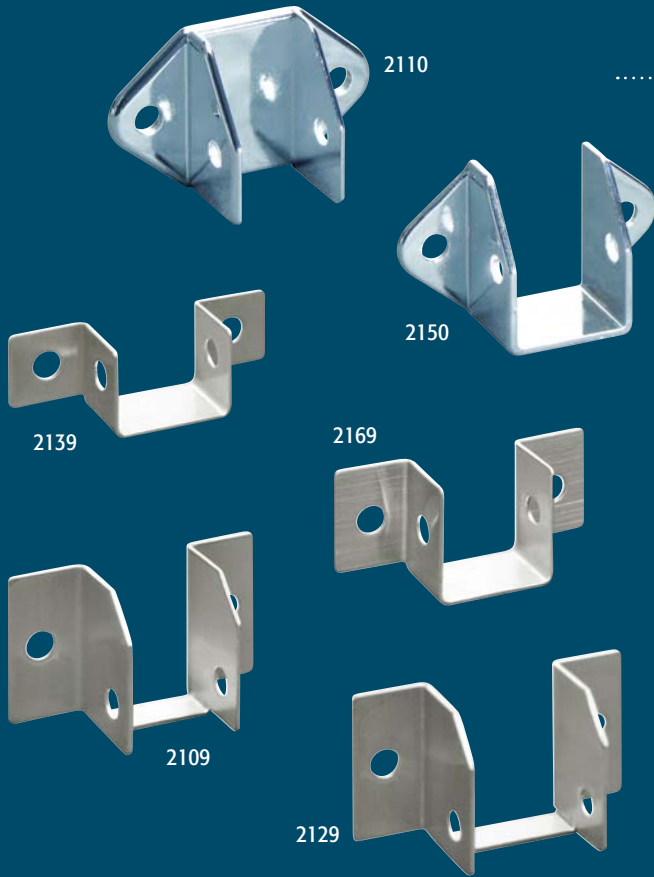
POST CAPS & PLUGS

CHROME PLATED ZAMAC	NYLON	DESCRIPTION
6500		1-3/4" Square Post Cap
	6515	1-3/4" Square Post Plug

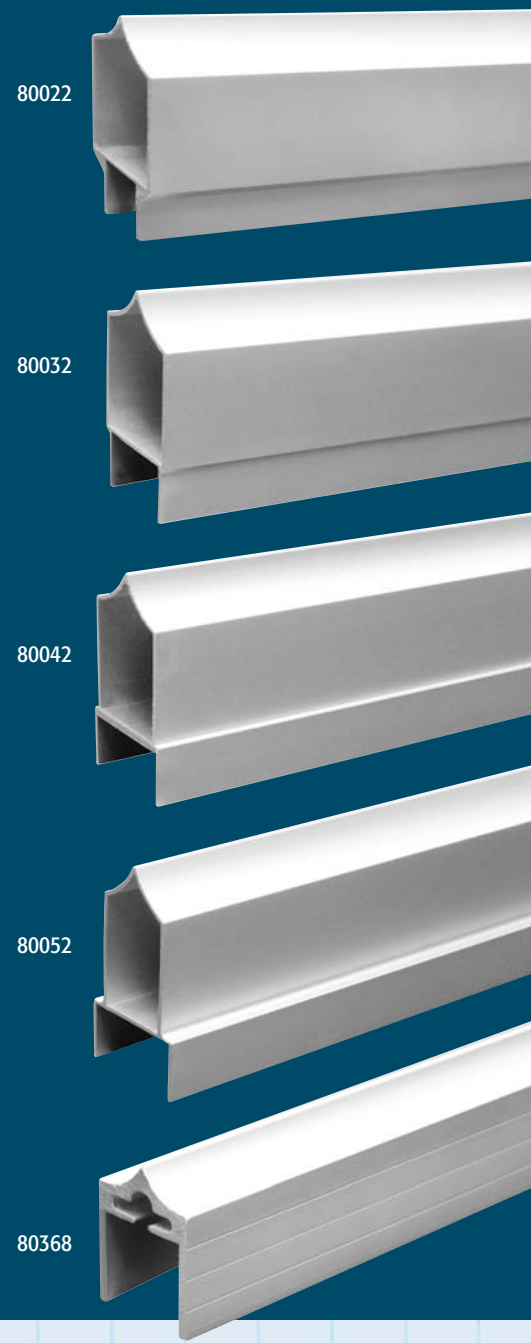
CURTAIN HOOKS

BRASS NICKEL PLATED	ALUMINUM	DESCRIPTION
6281		For 1-1/8" Square & Round
	6290	Used with Headrail Containing Curtain Tracks

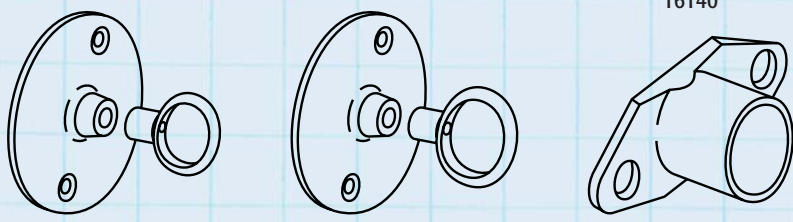
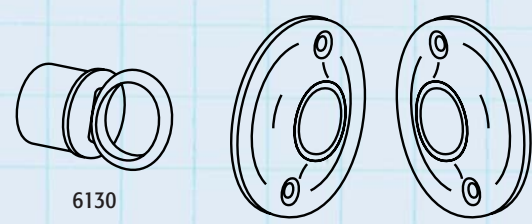
Headrail & Headrail Brackets



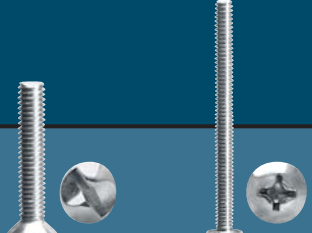
EXTRUDED ALUMINUM HEADRAIL				
POST SIZE	LENGTHS			
	62"	84"	8-1/2'	10'
1/2"			80022	80122
3/4"			80032	80132
1"			80042	80142
1-1/4"			80052	80152
3/4"				80188
1"	80268	80368		80168



POST SIZE	CHROME PLATED ZAMAC	ANODIZED ALUMINUM EXTRUSION	STAMPED STAINLESS STEEL	DESCRIPTION
HEADRAIL CONNECTOR PACKS				
3/4"		15762		Headrail Connector Pack (with Fasteners)
1"		15772		Headrail Connector Pack (with Fasteners)
1-1/4"		15782		Headrail Connector Pack (with Fasteners)
HEADRAIL BRACKETS				
1"	2110			Headrail Bracket (ASP)
1"			2139	Headrail Bracket (Mini)
1"	2150		2169	Headrail Bracket
1-1/4"	2170	2172 *	2179	Headrail Bracket *(Aluminum Painted Zamac)
3/4"			2109	For Headrail with Track
1"			2129	For Headrail with Track
1-1/4"			2579	For Headrail with Track




PAPER ROLL HOLDERS	
CHROME PLATED STEEL	DESCRIPTION
7359	Single Roll Paper Holder
207359	Single Roll (Case of 50)
7369	Double Roll Paper Holder
207369	Double Roll (Case of 25)
CURTAIN ROD FLANGES	
CHROME PLATED STEEL	DESCRIPTION
16120	3/4" Eye Loop Pack (with Fasteners)
16110	1" Eye Loop Pack (with Fasteners)
6220	1" End Flange
16140	1" Rod Holder Set (with Fasteners)
6130	1" Eye Loop (2 pc)




MACHINE SCREWS

SIZE/HEAD TYPE	CHROME PLATED STEEL	CHROME PLATED BRASS	BRASS PLATED STAINLESS	ZINC PLATED STEEL	STAINLESS STEEL
8-32 x 5/8" One Way Oval Head	9403				9409
8-32 x 3/4" One Way Oval Head	9413				9419
8-32 x 1" One Way Oval Head	9423		9422		9429
8-32 x 1-1/8" One Way Oval Head	9443		9442		9449
8-32 x 1-3/8" One Way Oval Head	9463				9469
8-32 x 1-5/8" One Way Oval Head	9483		9482		9489
10-24 x 3/4" One Way Round Head	9513				
10-32 x 1/2" Slotted Flat Head	93783				
10-32 x 3/4" One Way Round Head	9543				
1/4-20 x 3/4" One Way Round Head		9571			
1/4-20 x 3" Phillips Pan Head	94823				
1/4-20 x 4" Phillips Flat Head				94884	




ONE WAY ROUND TAPPING SCREWS

SIZE	CHROME PLATED STEEL	BRASS PLATED	STAINLESS STEEL
6 x 3/4"	9073		
8 x 3/8"	9103		
8 x 1/2"	9113		
10 x 3/8"	9163		
10 x 1/2"			9159
10 x 5/8"	9173	9172	9179
10 x 3/4"	9193		
10 x 1"	9203		
12 x 5/8"	9213		
12 x 1-1/2"	9233		
14 x 1/2"	9253		
14 x 5/8"	9263		
14 x 1"	9283		
14 x 1-3/4"	9343		
14 x 2"	9313		
14 x 2-1/2"	9323		
14 x 3"	9333		



PHILLIPS TAPPING SCREWS


SIZE/HEAD TYPE	CHROME PLATED STEEL	BRASS PLATED STAINLESS	STAINLESS STEEL
10 x 1/2" Phillips Flat Head	90864		
10 x 5/8" Phillips Flat Head	90884		
10 x 3/4" Phillips Pan Head	90933		
10 x 1" Phillips Flat Head	91013		
10 x 1-3/4" Phillips Flat Head			91109
12 x 5/8" Phillips Pan Head	91353		
12 x 1-1/2" Phillips Pan Head	91553		
12 x 2" Phillips Pan Head	91783		
14 x 1/2" (AB) Phillips Pan Head	92003		
14 x 5/8" (A) Phillips Pan Head	92063	92072	92079
14 x 5/8" (AB) Phillips Pan Head	92093		
14 x 1" Phillips Pan Head	92153		
14 x 1-1/2" Phillips Flat Head			92309
14 x 1-3/4" Phillips Pan Head	92353	92362	92369
14 x 2" Phillips Pan Head	92403		92419
14 x 2-1/2" Phillips Pan Head	92503		92519
14 x 3" Phillips Pan Head	92603		
12 x 1-1/2" Square Recess Pan Head	91543		



10-24 SHOULDER SCREWS

SIZE/HEAD TYPE	CHROME PLATED STEEL	CHROME PLATED BRASS	BRASS PLATED	STAINLESS STEEL
# 3/8" One Way Round Head	9883	9881		9889
1/2" One Way Round Head	9773	9771	9772	9779
3/4" One Way Round Head	9783	9781	9782	9789
15/16" One Way Round Head	9793	9791	9792	9799
1-1/16" One Way Round Head	9803	9801	9802	9809
1-3/16" One Way Round Head	9813	9811	9812	9819
1-5/16" One Way Round Head	9823	9821	9822	9829
1-5/16" Phillips Round Head		9861		
1-1/2" One Way Round Head	9873			


ALL BARREL NUT & SHOULDER SCREWS HAVE A 1/4" OUTER DIAMETER



BARREL NUTS


SIZE/HEAD TYPE	CHROME PLATED STEEL	CHROME PLATED BRASS	BRASS PLATED	STAINLESS STEEL
8-32 x 1/2" Unslotted Head	9763		9762	9769
10-24 x 1/2" Phillips Round Head	9723	9721		
10-24 x 1/2" One Way Round Head	9703	9701	9702	9709
10-24 x 5/8" One Way Round Head	9713	9711	9712	9719

SIX LOBE FASTENERS (T-27 HEADS)



10-24 BARREL NUTS


LENGTH	CHROME PLATED STEEL	STAINLESS STEEL
1/2"	88203	88209
5/8"	88213	88219



8-32 OVAL HEAD (T-20)


LENGTH	CHROME PLATED STEEL	STAINLESS STEEL
5/8"	88313	88319
3/4"	88323	88329
1"	88333	88339
1-1/8"	88343	88349
1-3/8"	88353	88359
1-5/8"	88363	88369

ALL BARREL NUT & SHOULDER SCREWS HAVE A 1/4" OUTER DIAMETER



10-24 SHOULDER SCREWS


LENGTH	CHROME PLATED STEEL	STAINLESS STEEL
# 3/8"	88223	88229
1/2"	88233	88239
3/4"	88243	88249
15/16"	88253	88259
1-1/16"	88263	88269
1-3/16"	88273	88279
1-5/16"	88283	88289
1-3/8"	88293	



10-24 SHOULDER SCREWS WITHOUT CENTER PIN


LENGTH	CHROME PLATED STEEL
1/2"	88133
3/4"	
15/16"	
1-1/16"	88163
1-3/16"	88173
1-5/16"	88183

3/8" has full threads (no shoulder)



PAN HEAD TAPPING SCREWS WITHOUT CENTER PIN

SIZE	CHROME PLATED STEEL
12 x 1-1/2"	91613
14 x 1-3/4"	92373



TAPPING SCREWS

SIZE/HEAD TYPE	CHROME PLATED STEEL	STAINLESS STEEL
10 x 5/8" Pan Head	90963	90969
10 x 3/4" Pan Head	90943	90949
10 x 1" Flat Head (T-20)	91053	91059
12 x 7/16" Pan Head		91429
12 x 1-1/2" Truss Head	91813	91819
12 x 2" Truss Head	91913	91919
12 x 2-1/2" Truss Head	91903	91909
* 14 x 1/2" Pan Head	92083	92089
* 14 x 5/8" Pan Head	92193	92199
14 x 5/8" Truss Head	92213	92219
14 x 3/4" Pan Head		90929
14 x 1" Truss Head	92183	92189
14 x 1-1/2" Pan Head		92319
14 x 1-3/4" Pan Head	92423	92429
14 x 2" Pan Head	92383	92389
14 x 2-1/4" Pan Head		92449
14 x 2-1/2" Pan Head	92393	



8915
8925
8935

8965

96503

96513

96523

96533

CHROME PLATED STEEL DRIVERS

8905	3 Pack One Way Screw Removers
8915	One Way Screw Remover (Sizes 6-8)
8925	One Way Screw Remover (Sizes 8-10)
8935	One Way Screw Remover (Sizes 12-14)
8965	Use with all Hex Bits (Magnetic End)

HARDENED STEEL BITS

96513	Six Lobe Hex Bit (T-20)
96503	Six Lobe Hex Bit (T-27)
96523	Six Lobe Hex Bit (T-30)
96533	Six Lobe Hex Bit Combo (T-20 & T-27) (Can not be used with Driver)

B - "Blunt" Tip (Type MS)
* - Type #410 Stainless Steel

Replacement Parts

LISTED BY MANUFACTURER

(AVAILABLE IN OTHER MATERIALS & FINISHES)

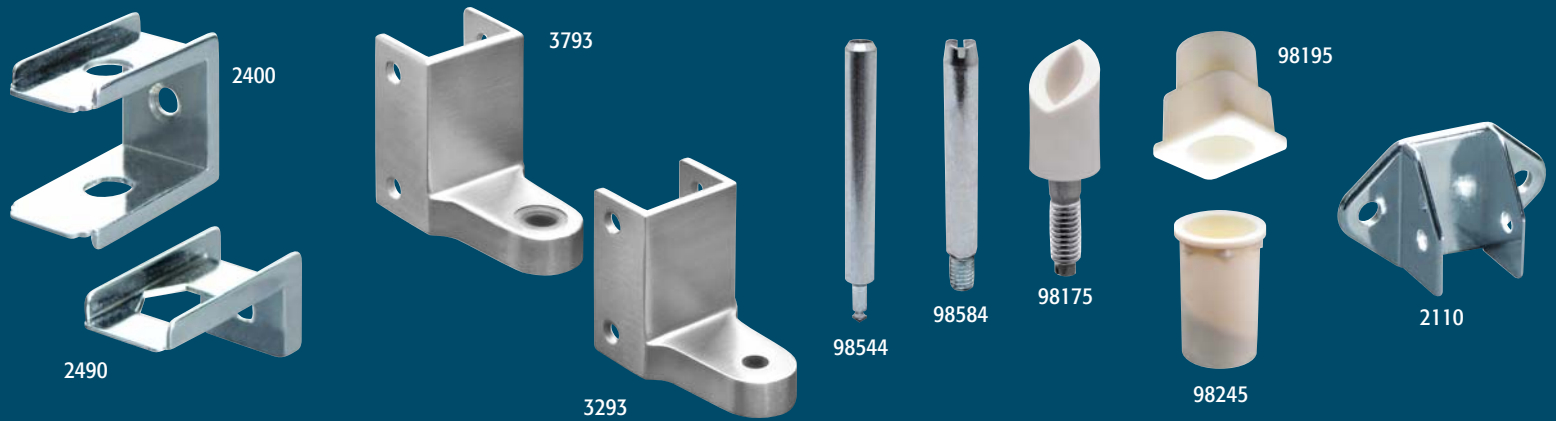
ACCURATE



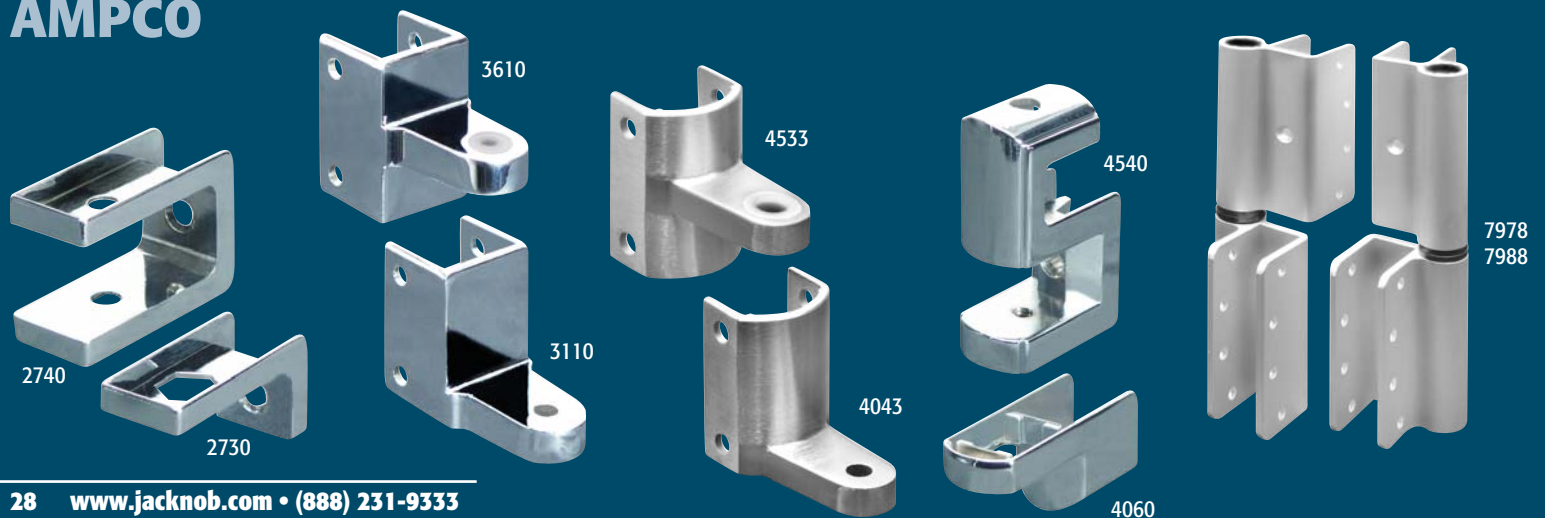
ALL AMERICAN



AMERICAN SANITARY



AMPCO



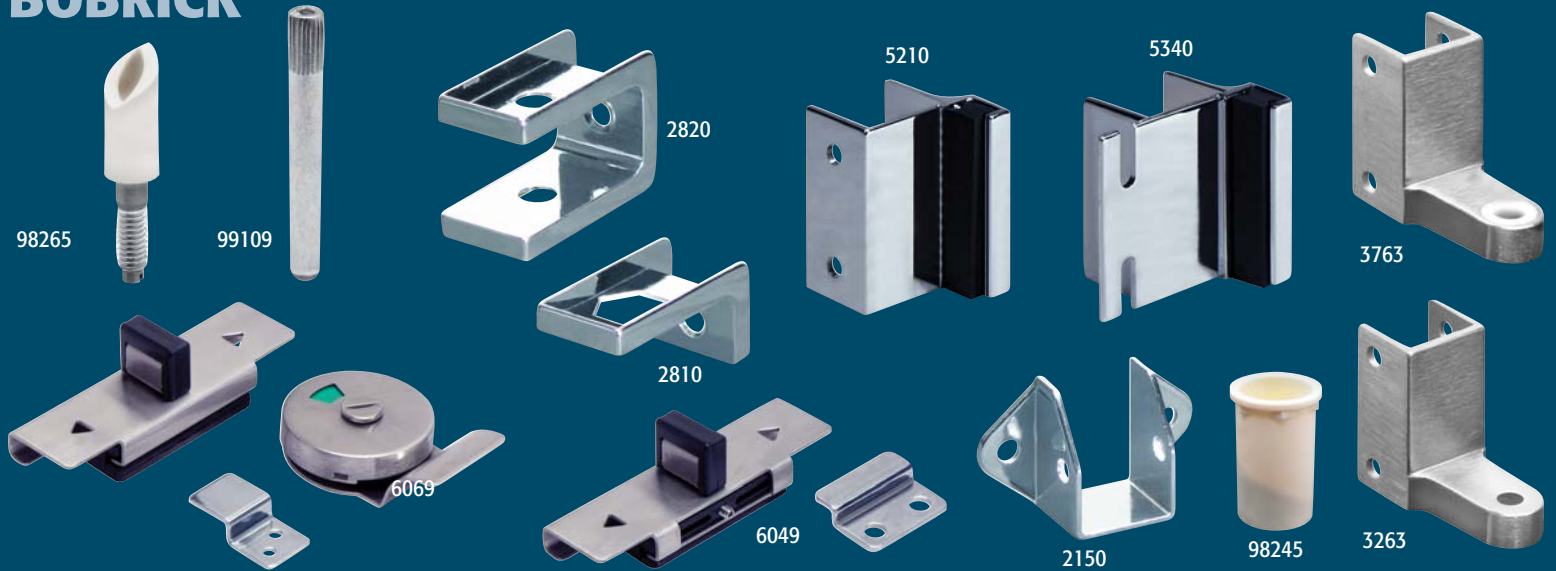
AMPCO (continued)



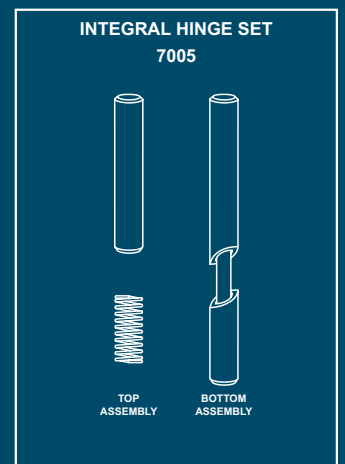
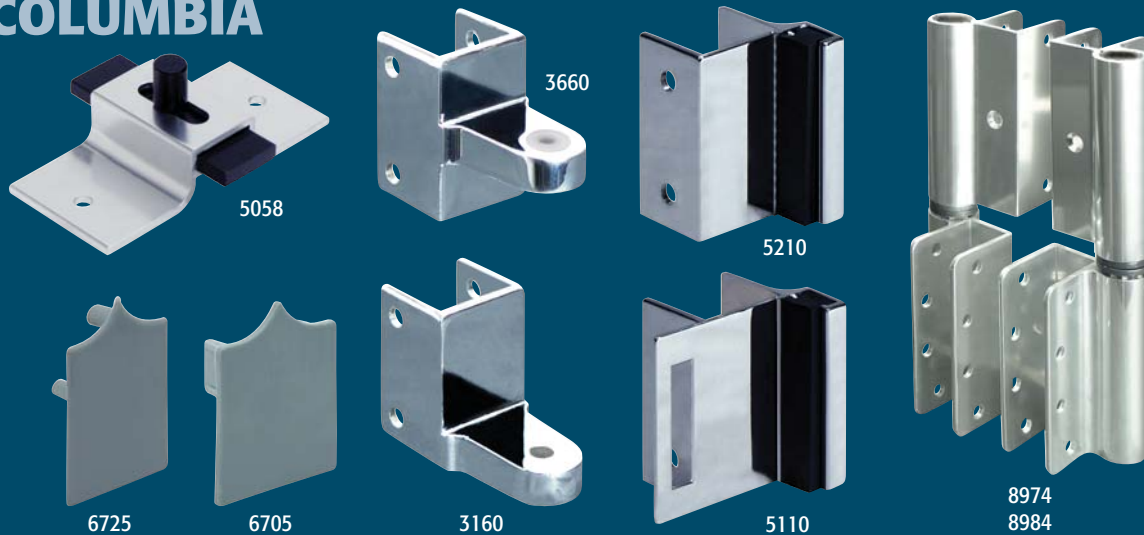
ATLANTA SUNBELT



BOBRICK



COLUMBIA



Replacement Parts

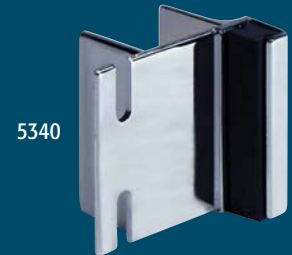
LISTED BY MANUFACTURER

(AVAILABLE IN OTHER MATERIALS & FINISHES)

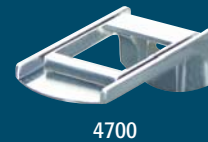
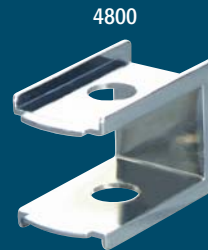
COMRES MANUFACTURING



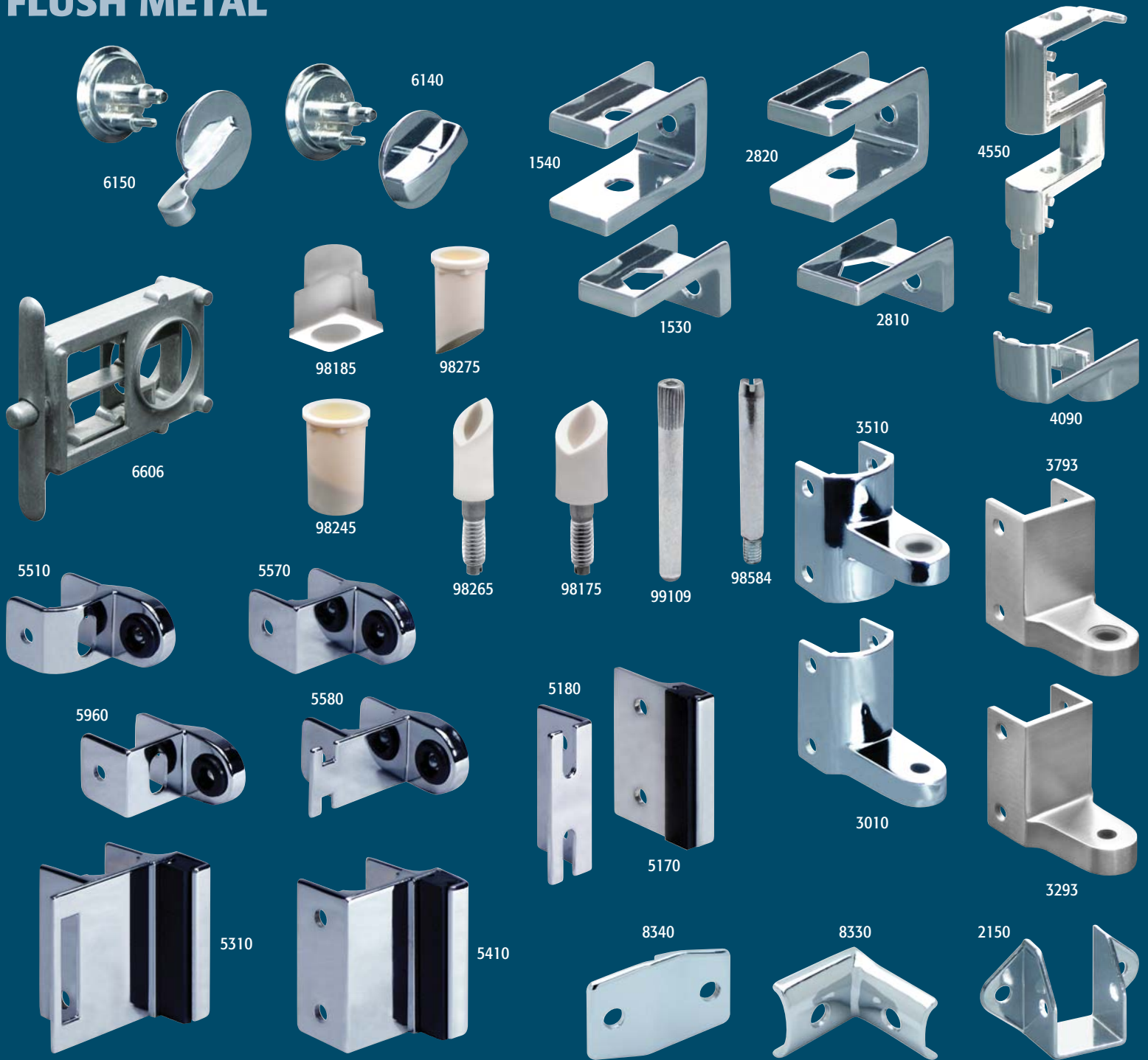
COMTEC/CAPITAL PARTITIONS



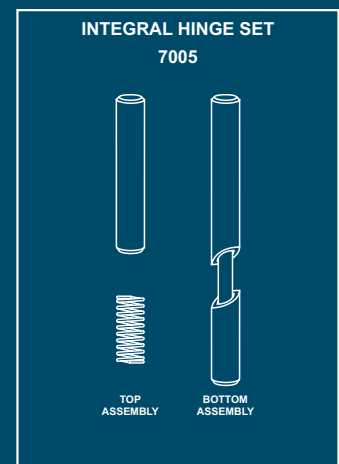
FIAT



FLUSH METAL



GENERAL PARTITION



Replacement Parts

LISTED BY MANUFACTURER

(AVAILABLE IN OTHER MATERIALS & FINISHES)

GENERAL PARTITION (continued)



3910



4646



8974
8984



5110



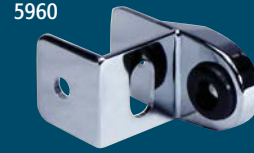
5230



3420



4636



5960



5210



4988



4260



98185



97265



5510



98614



98584



4290



98245



97275



98175

GLOBAL STEEL



1680



3510



4550

99109



98175



8330



3540

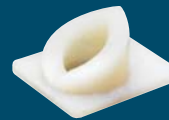


3010



4090

89820



1550



8340



5080



6140



6150



89830

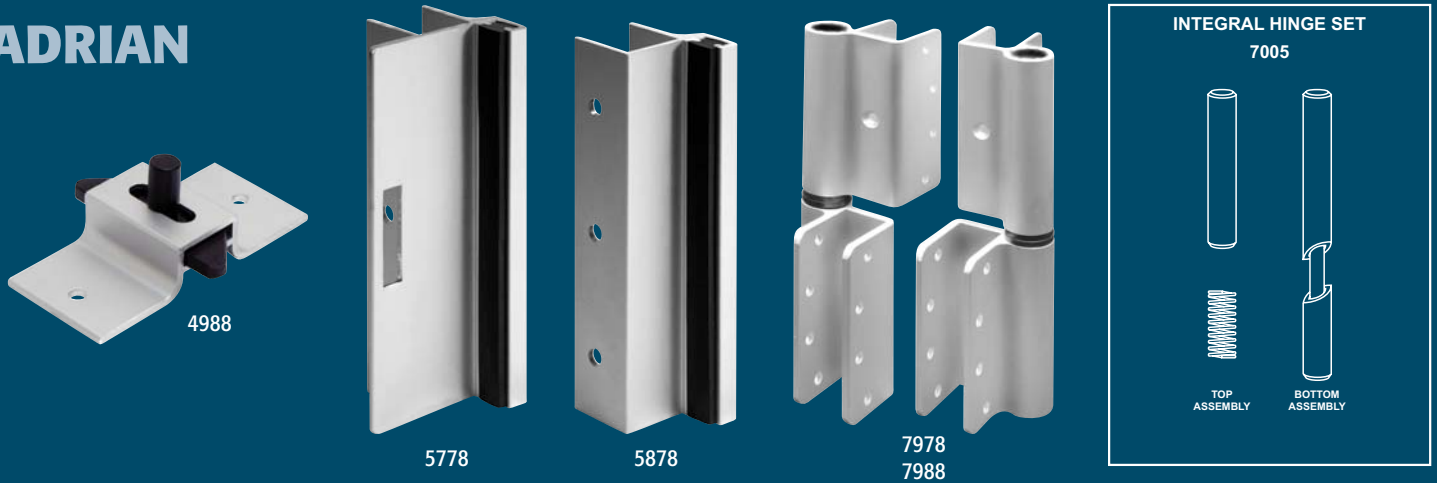


98185

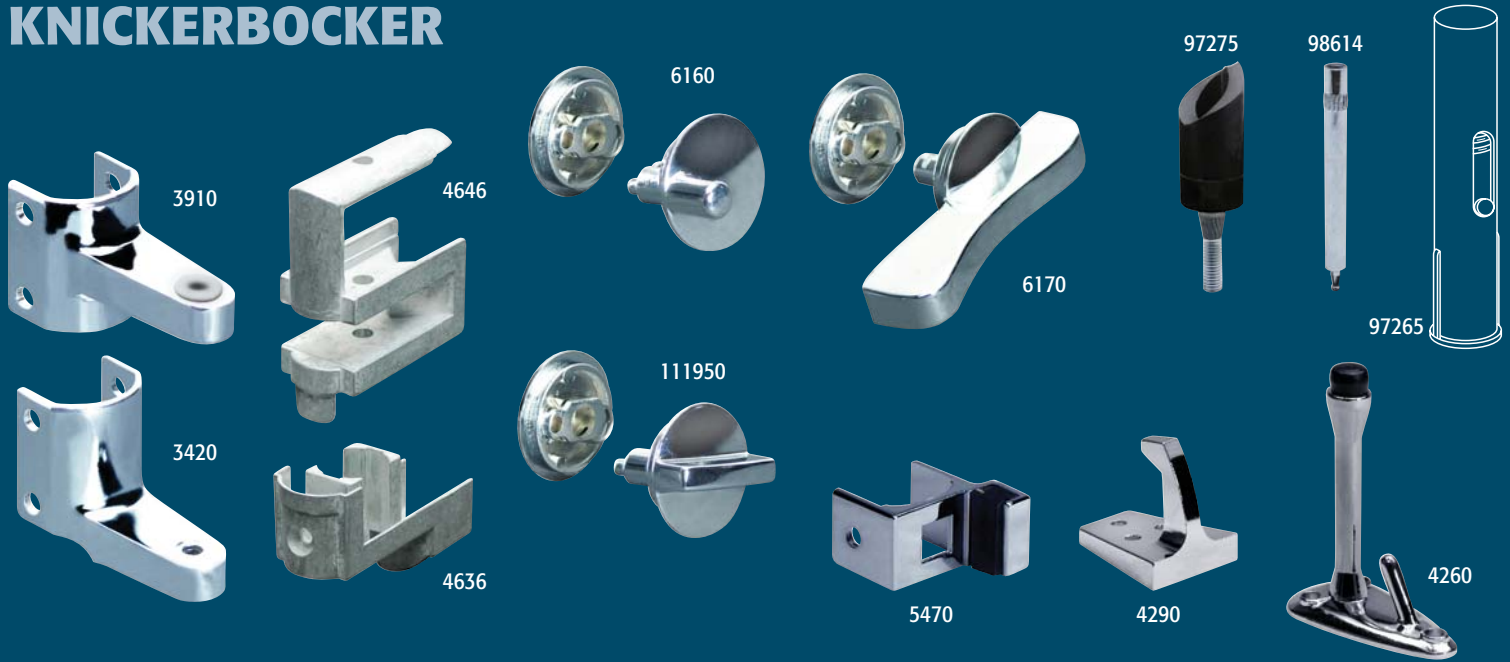
GLOBAL STEEL (continued)



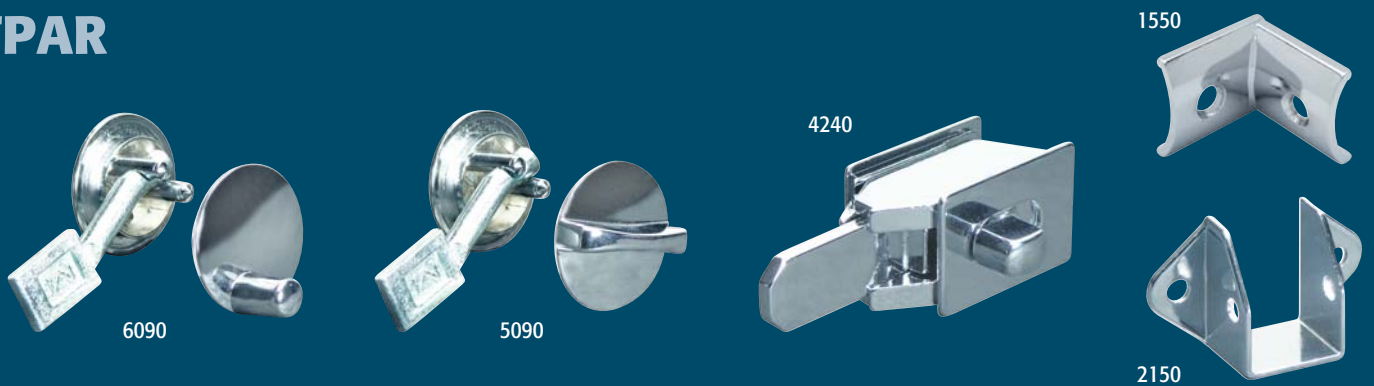
HADRIAN



KNICKERBOCKER



METPAR

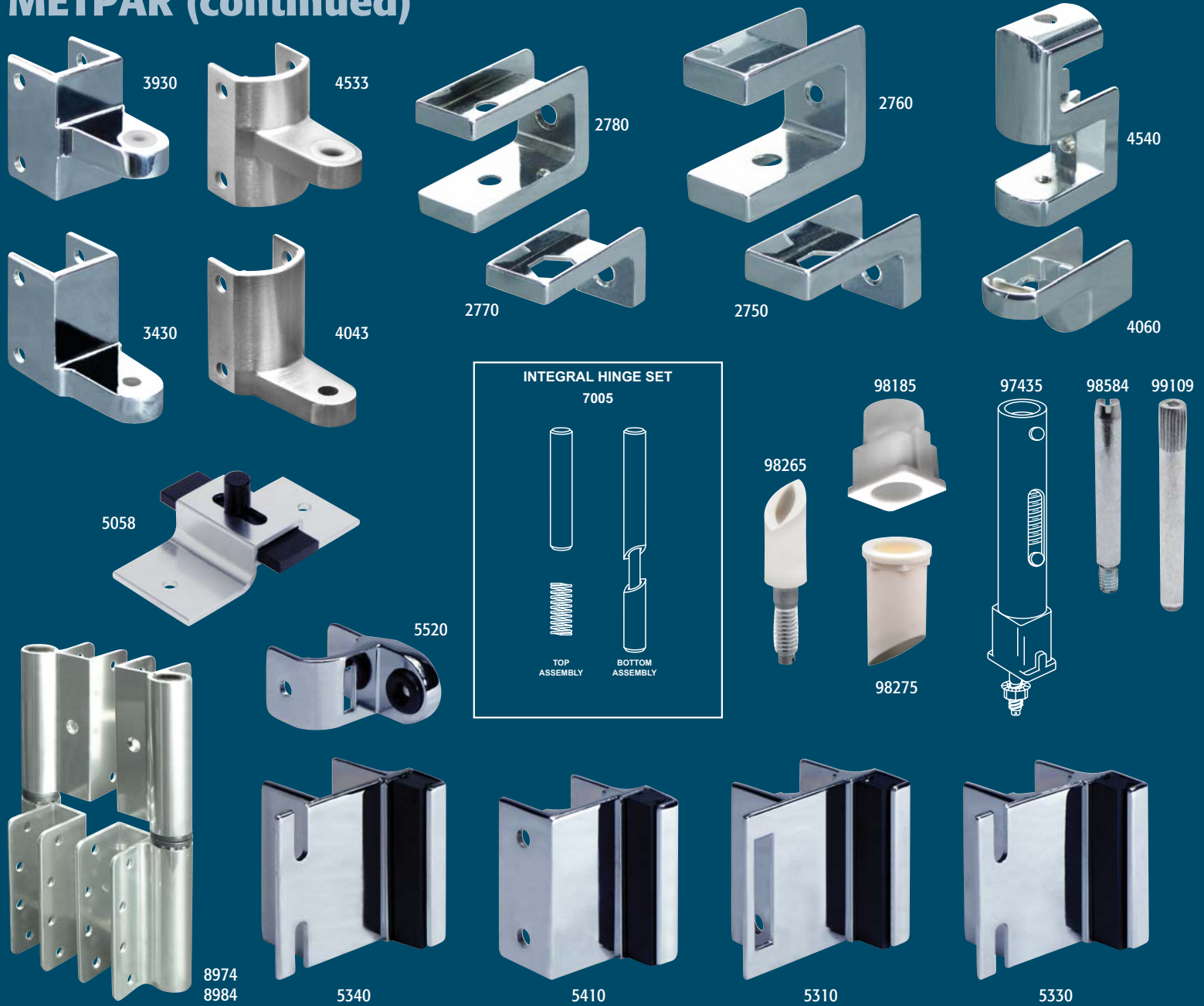


Replacement Parts

LISTED BY MANUFACTURER

(AVAILABLE IN OTHER MATERIALS & FINISHES)

METPAR (continued)



MILLS



SANTANA/HINY HIDERS



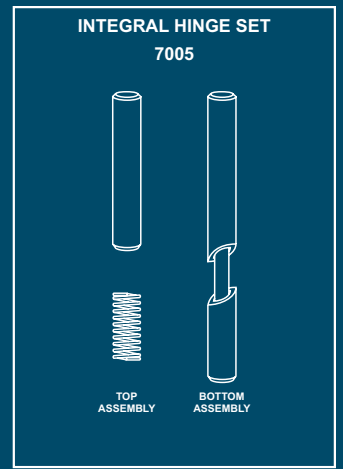
5058



6309



8974
8984



SANYMETAL



6540



3960



3900



4280



2450



4686



3460



3060



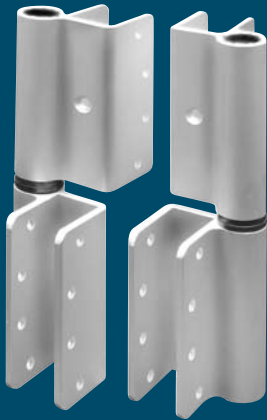
98195



97280



97295



7978
7988



5180



5130



5170



98715



98175



5510

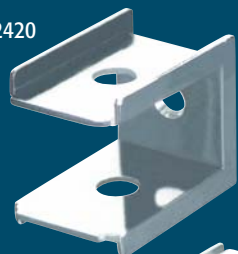


8860



111940

SHANAHAN



2420



3650



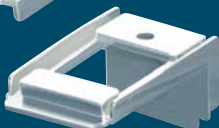
98175



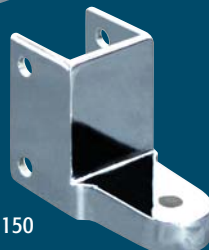
98544



5190



2430



3150



98195



5180



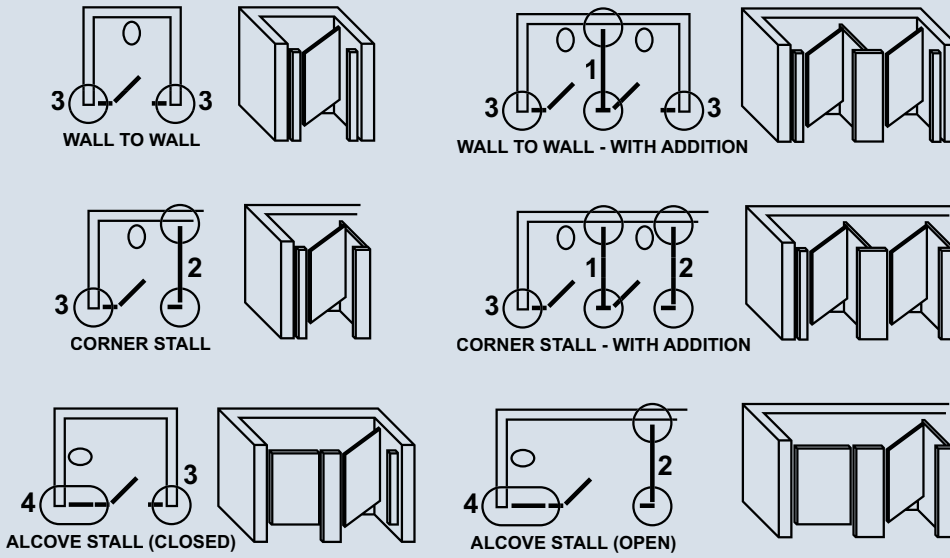
5170



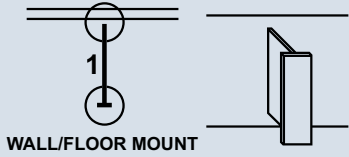
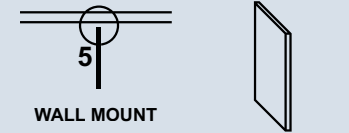
6695

Installation & Hardware Details

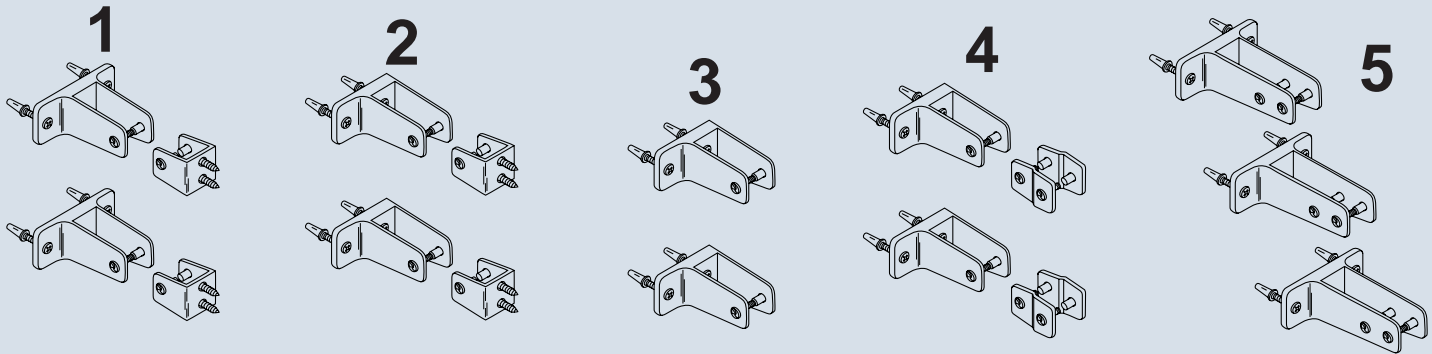
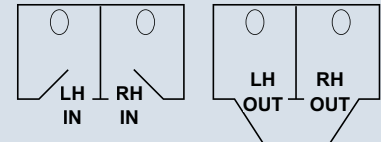
STALL LAYOUTS



URINAL SCREENS



DOOR SWING



MATERIAL DESIGNATION & STANDARDS

DESIGNATION	MATERIAL	FINISH	PROPERTIES	PARTS
	ZINC ALLOY	CHROME		
0	99% Zinc Die Cast	Plated, Polished, Bright, Shiny (Silver)	Medium Strength and Holding	Wall Brackets Hinge Brackets Strike & Keepers Inserts Latches Hooks & Stops Door Pulls
	BRASS	CHROME		
1	C35000-C37700 Forged Extruded Cast	Plated, Polished, Bright, Shiny (Silver)	Medium Strength and Holding	Wall Brackets Hinge Brackets Surface Hinges Strike & Keepers Latches Hooks & Stops Door Pulls
	BRASS	BRASS		
2	C35000-C37700 Forged Extruded Cast	Plated, Polished, Bright, Shiny (Gold)	Medium Strength and Holding	Wall Brackets Hinge Brackets Surface Hinges Strike & Keepers Latches Hooks & Stops Door Pulls
	STAINLESS STEEL	#4 SATIN		
3	#304 Stainless Casting	Brushed Semi-Shiny (Silver)	Highest Strength and Holding	Wall Brackets Hinge Brackets Surface Hinges Strike & Keepers Latches Hooks & Stops Door Pulls

DESIGNATION	MATERIAL	FINISH	PROPERTIES	PARTS
	ALUMINUM	CLEAR-ANODIZED		
4	T-6063-T5 Extruded	Low-Luster Semi-Brushed (Gray)	Medium Strength and Holding	Wall Brackets Strike & Keepers Latches Headrails
	ZINC ALLOY	RAW		
6	99% Zinc Die Cast	Un-Plated Dull (Gray)	Medium Strength and Holding	Raw Parts Inserts Housings
	ALUMINUM	BRITE-DIP		
8	T-6063-T5 Extruded	Mirror-Shine High-Gloss (Silver)	Medium Strength and Holding	Wall Brackets Strike & Keepers Latches
	STAINLESS STEEL	#4 SATIN		
9	#304 Stainless Stamped (1/32") 22 ga. (Shoes) to (1/8") 11 ga. (Hinges)	Brushed Semi-Shiny (Silver)	High Strength and Holding	Wall Brackets Surface Hinges Strike & Keepers Latches Hooks Door Pulls



Hardware Check-Off List

Fax: (631) 231-0330 • Email: custservice@jacknob.com

Company Name _____

Phone number _____

Contact Name _____

Fax number _____

MATERIAL TYPE:

- Poly
- Phenolic
- Solid Surface
- Marble
- Laminate Wood
- Hollow Metal
- Other

MATERIAL THICKNESS:

Door: _____
 Panel: _____
 Post: _____
 Urinal Screen: _____

MATERIAL EDGE:

- Round Edge
- Square Edge

HARDWARE FINISH:

- Chrome Plated Zamac
- Satin Finish Zamac
- Chrome Plated Brass
- Polished Brass
- Cast Stainless Steel
- Stamped Stainless Steel
- Aluminum Extrusion

REPLACEMENT PARTS:

Name of Partition Manufacturer _____

Name of Hardware Manufacturer _____

NEW OR EXISTING LAYOUT:

Total Outswing Stalls: _____
 No. Right Swing: _____
 No. Left Swing: _____

Total Inswing Stalls: _____
 No. Right Swing: _____
 No. Left Swing: _____

Total Urinal Screens: _____

TYPES OF PACKS:

DOOR PACK

- Surface Hinges
- Pivot Hinges
- Right Hinge Left Hinge

PILASTER PACK

- Two Ear
- One Ear

PANEL PACK

- Two Ear
- One Ear
- Two Bracket Three Bracket

ALCOVE PACK

- Two Ear
- One Ear

URINAL SCREEN PACK

(all urinal screen packs are two ear)

Two Bracket Three Bracket

ANGLE BRACKET PACK

(all angle bracket packs are two ear)

1 - Set 2 - Set

NO. OF ANCHOR PACKS: _____

MATERIAL INSTALLATION:

Floor Mounted

Floor to Ceiling

Floor Mounted (Braced)

PILASTER SHOES:

Shoe Height (3" or 4"): _____
 No. of Posts: _____
 Thickness of Post: _____

Shoe Lengths: _____
 Open Ended: _____
 Drill Holes: _____
 Screw Pack Needed: _____

PAPER ROLL HOLDERS:

No. of Single Rolls: _____
 No. of Double Rolls: _____
 (single roll cases hold 50 pcs, double roll holds 25 pcs.)

HEADRAIL:

Headrail Length(s): _____
 Headrail Mounting Pack _____
 Headrail Connector Pack _____
 Headrail End Plugs _____

ADDITIONAL HARDWARE OR INFORMATION:

Featured Products

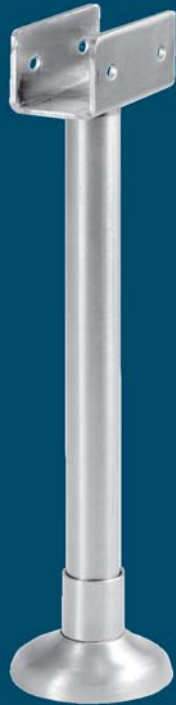


ROLL FORMED BRACKETS

Continuous Roll-Formed
Stainless Steel—No Welds

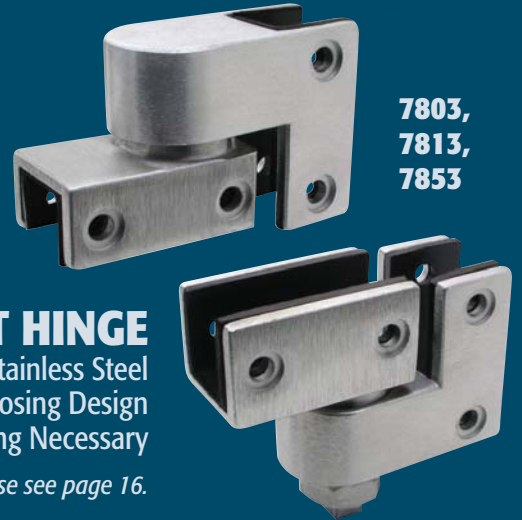
For more details, please see page 11.

135009, 135019
135029, 135039



PILASTER SUPPORT BRACKET

Heavy duty stainless steel construction
for 3/4", 7/8", 1" or 1-1/4" material.
Can be cut down to 3" minimum or
adjusted to 13" maximum.



7803,
7813,
7853

PIVOT HINGE

304 Cast Stainless Steel
Ball Bearing Self Closing Design
No Routing Necessary

For more details, please see page 16.



Keeps personal items off unsanitary floors
Puts an end to restroom and fitting room theft
Composed of sturdy 3/16" thick clear acrylic
12"W x 20"H x 6"D



PAPER ROLL HOLDERS

7359 Individual Single Roll
207359 Case of 50
7369 Individual Double Roll
207369 Case of 25

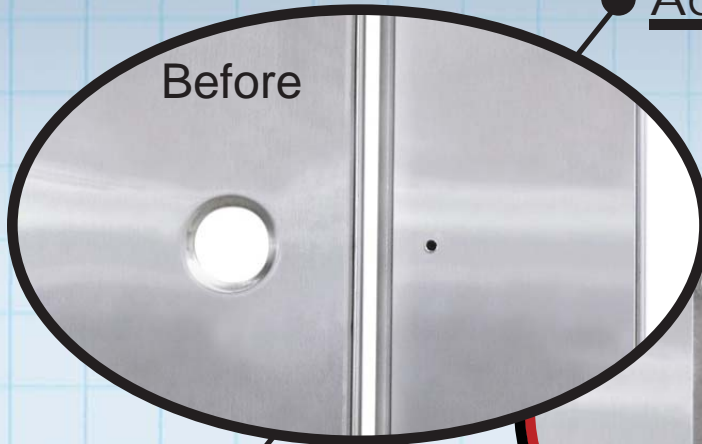


For more details, please see page 25.



FIX-IT KITS™

● Adds Strength and Durability.

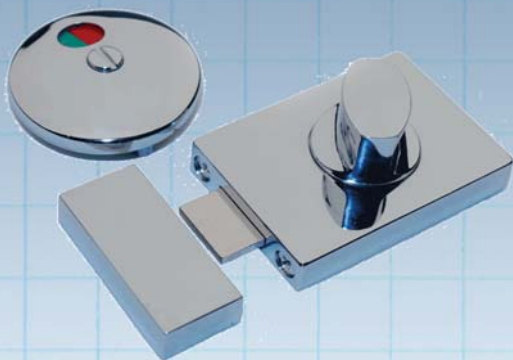


● Each kit contains everything you need to replace broken and missing hooks or latches.



● Stamped Stainless Plate Covers All Unsightly Holes.

New Products



INDICATOR LATCH with KEEPER

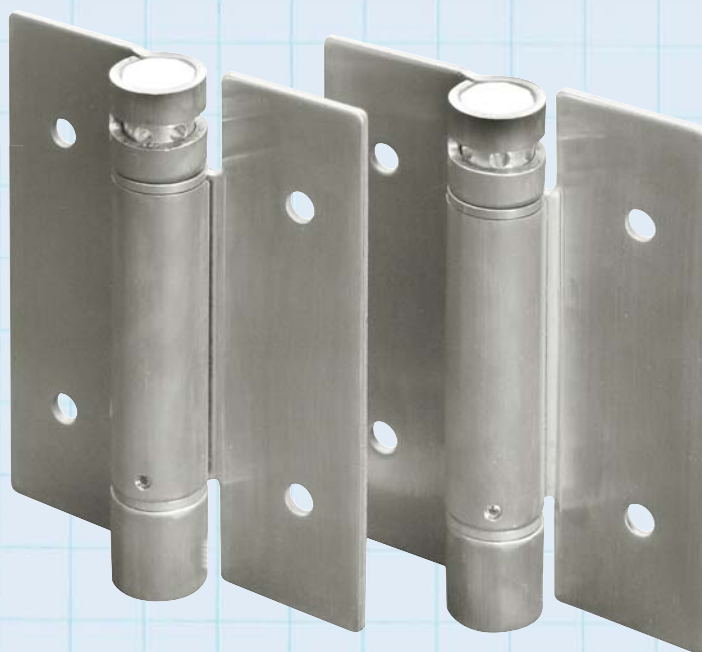
For 1" Thick Doors
4770 - Brite Chrome Finish
4778 - Satin Chrome Finish



6983 - SLIDE LATCH

Heavy Duty Cast Stainless Steel Design

For more details, please see page 18.



SPRING LOADED SURFACE HINGE

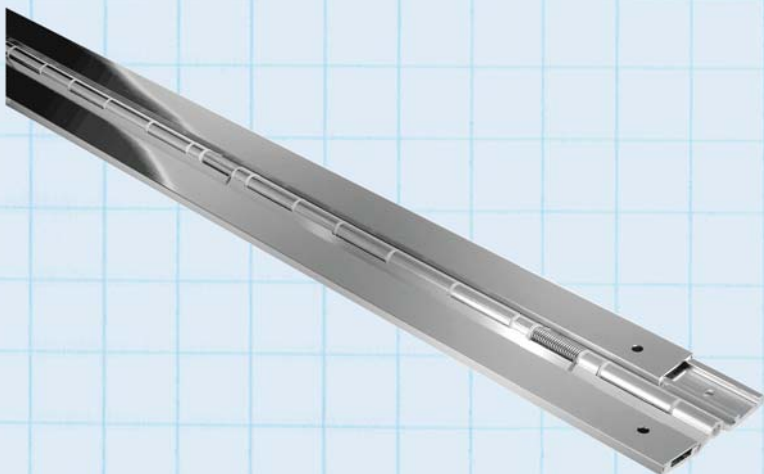
Heavy Duty Stainless Steel

Tension Adjustable

8643 4" High - Polished, 8649 4" High - Satin

8653 5" High - Polished, 8659 5" High - Satin

For more details, please see page 13.



8668 - PIANO HINGE ALUMINUM - with COVER

Self-Closing Spring Design
54" Long with Brite-Dip Finish



ALL MAJOR CREDIT CARDS ARE ACCEPTED.



290 Oser Avenue
Hauppauge, NY 11788
Tel.: (631) 231-9400
Fax: (631) 231-0330
Toll Free: (888) 231-9333
www.jacknob.com