

STARAX[®]

quality of your life



PRODUCT BROCHURE









EXPORT

**TO AROUND
90 COUNTRIES**

STARAX brand has been established in 1996 to serve in the kitchen and furniture accessories sector. Till today, every year we improved our product range, workpower and capacity, with respect to nature, environment and employees, we continue our production in our 26th year in our factory at Tekirdag Velimese Organized Industrial Zone with 32.500m² closed, 10.000m² open area and with young dynamic staff without compensation from product quality.

We are adding every year color to the sector by developing our product range and with importance we give to R&D. We are also proud of providing a better service to our valued customers with our increasing capacity, stronger experienced staff and new advanced technology facilities and machines.




Our brandname is well known in domestic market and we also export to around 90 different countries regularly. We are following changing trends, innovations and competing itself hereby every our vision is growing up.

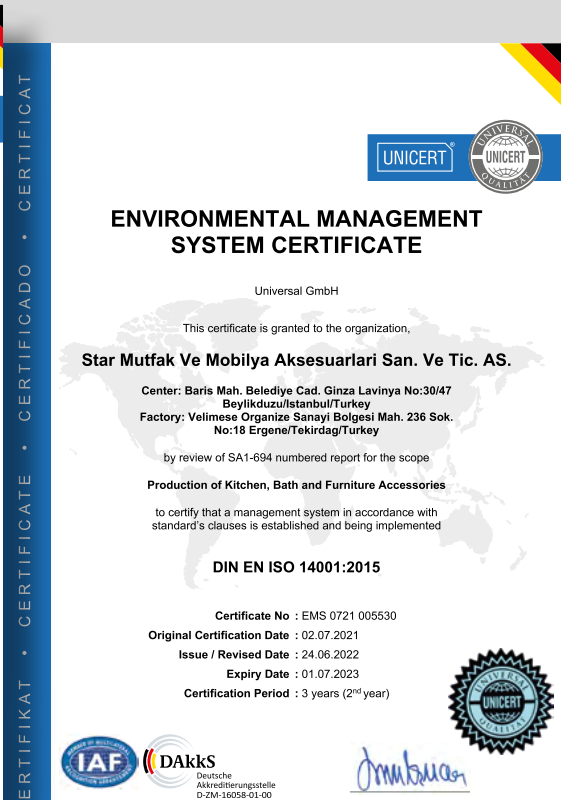
Our product groups are functional larder systems, ergonomic under-workbench and corner units, midway accessories that bring new minds into our kitchens, shelf groups opening new useful areas inside of cupboards, wardrobe accessories that makes our live easier, multifunctional column groups and modern bathroom accessories.

We'll continue our way with the support and trust of our customers and always work more...

Product Code : Products code (e.g. S-1234-)
 Color Options : Color code in addition to the product order code (eg S-1234-C)

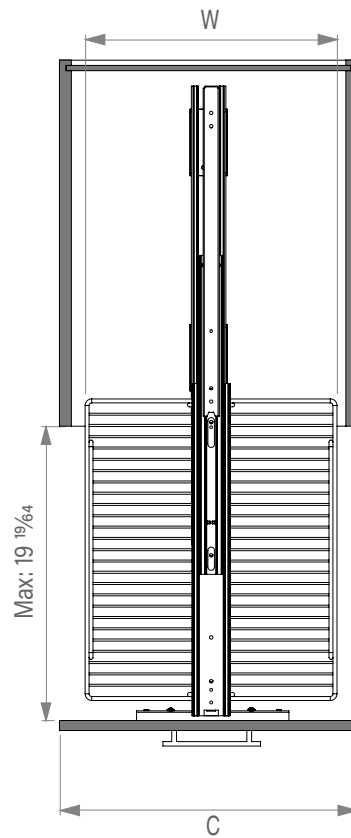
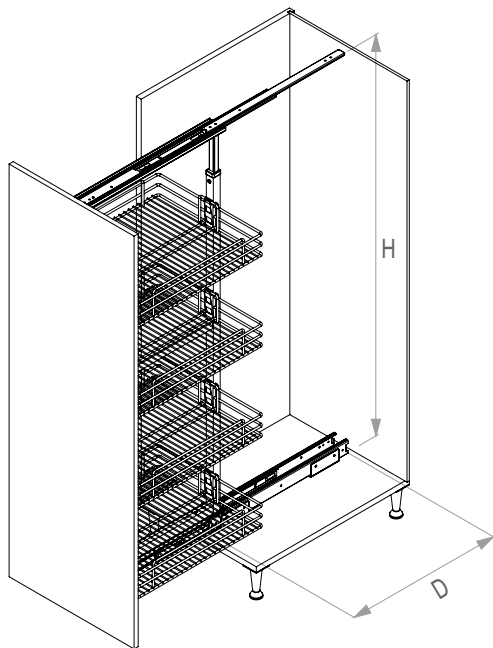


- W : The largest width of the product (inch)
- D : The largest depth of the product (inch)
- H : The largest height of the product (inch)
- Ø : The largest diameter of the product (inch)
- C : Width of the module (inch)
- Box : Product quantity in a box (pcs)
- 2 Box : Product quantity in two boxes (pcs)
- Volume : Total box volume of the product (in³)
- Weight : Total box weight of the product (kg)
- Direction : Describes how the product comes out from the module (left / right)
-  : Provides slow and silent closing
-  : Antislip Surface
-  : Product Carrying Capacity (kg)



KITCHEN ACCESSORIES

01



Sliding Pantry Organizer with Door Attachment

Organizador de despensa deslizante con accesorio de fijación para puerta



3 Baskets | 3 Cestas

Color Options
Opciones de color



Product Code		W x D x H (inch)	C (inch)	Box	Volume (in ³)	Weight lbs.	
Wire Bottom	Solid Bottom					Wire	Solid
S-1108-	S-1508-	11 x 20 1/8 x 33 1/2 - 43 1/4	13 3/4	1	4637.80	29,77	34,73
S-1110-	S-1510-	15 x 20 1/8 x 33 1/2 - 43 1/4	17 3/4	1	4637.80	33,08	38,54
S-1111-	S-1511-	16 7/8 x 20 1/8 x 33 1/2 - 43 1/4	19 3/4	1	4637.80	33,52	39,88
S-1112-	S-1512-	18 7/8 x 20 1/8 x 33 1/2 - 43 1/4	21 5/8	1	4637.80	35,83	42,16

4 Baskets | 4 Cestas

Product Code		W x D x H (inch)	C (inch)	Box	Volume (in ³)	Weight lbs.	
Wire Bottom	Solid Bottom					Wire	Solid
S-1113-	S-1513-	9 x 20 1/8 x 43 1/4 - 49 1/4	11 3/4	1	5736.23	33,30	38,81
S-1114-	S-1514-	11 x 20 1/8 x 43 1/4 - 49 1/4	13 3/4	1	5736.23	34,73	40,79
S-1116-	S-1516-	15 x 20 1/8 x 43 1/4 - 49 1/4	17 3/4	1	5736.23	38,48	45,75

4 Baskets | 4 Cestas

Product Code		W x D x H (inch)	C (inch)	Box	Volume (in ³)	Weight lbs.	
Wire Bottom	Solid Bottom					Wire	Solid
S-1119-	S-1519-	9 x 20 1/8 x 49 1/4 - 55 1/8	11 3/4	1	5736.23	33,96	39,23
S-1120-	S-1520-	11 x 20 1/8 x 49 1/4 - 55 1/8	13 3/4	1	5736.23	35,06	40,33
S-1122-	S-1522-	15 x 20 1/8 x 49 1/4 - 55 1/8	17 3/4	1	5736.23	39,03	46,17

5 Baskets | 5 Cestas

Product Code		W x D x H (inch)	C (inch)	Box	Volume (in ³)	Weight lbs.	
Wire Bottom	Solid Bottom					Wire	Solid
S-1125-	S-1525-	9 x 20 1/8 x 55 1/8 - 61	11 3/4	1	7566.94	39,03	44,81
S-1126-	S-1526-	11 x 20 1/8 x 55 1/8 - 61	13 3/4	1	7566.94	41,01	47,52

5 Baskets | 5 Cestas

Product Code		W x D x H (inch)	C (inch)	Box	Volume (in ³)	Weight lbs.	
Wire Bottom	Solid Bottom					Wire	Solid
S-1132-	S-1532-	11 x 20 1/8 x 61 - 66 7/8	13 3/4	1	7566.94	41,23	48,29

6 Baskets | 6 Cestas

Product Code		W x D x H (inch)	C (inch)	Box	Volume (in ³)	Weight lbs.	
Wire Bottom	Solid Bottom					Wire	Solid
S-1140-	S-1540-	15 x 20 1/8 x 66 7/8 - 72 7/8	17 3/4	1	8970.49	52,59	61,19

6 Baskets | 6 Cestas

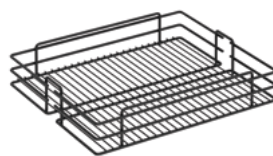
Product Code		W x D x H (inch)	C (inch)	Box	Volume (in ³)	Weight lbs.	
Wire Bottom	Solid Bottom					Wire	Solid
S-1143-	S-1543-	9 x 20 1/8 x 72 7/8 - 78 3/4	11 3/4	1	8970.49	43,99	51,16
S-1144-	S-1544-	11 x 20 1/8 x 72 7/8 - 78 3/4	13 3/4	1	8970.49	47,08	54,15
S-1145-	S-1545-	13 x 20 1/8 x 72 7/8 - 78 3/4	15 3/4	1	8970.49	49,72	58,39
S-1146-	S-1546-	15 x 20 1/8 x 72 7/8 - 78 3/4	17 3/4	1	8970.49	52,70	61,63



Chrome Wire Bottom
Fondo de alambre cromado



Chrome Solid Bottom
Fondo sólido de plástico blanco



Anthracite Wire Bottom
Fondo de alambre antracita



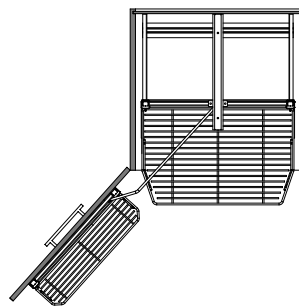
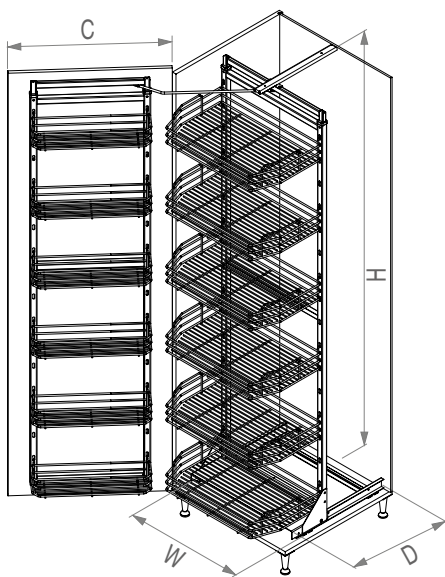
Anthracite Solid Bottom
Fondo sólido de plástico antracita

Wire Bottom Pantry Basket | Cesta de despensa con fondo de alambre

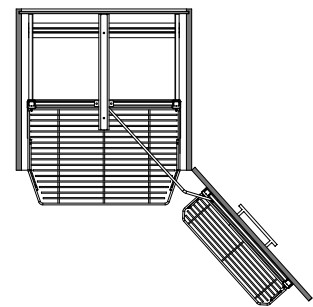
Product Code	W x D x H (inch)	C (inch)	Box	Volume (in ³)	Weight lbs.
S-1831-	9 x 17 3/8 x 3	11 3/4	10	5919,30	40,79
S-1832-	11 x 17 3/8 x 3	13 3/4	10	7139,78	44,10
S-1834-	15 x 17 3/8 x 3	17 3/4	10	9641,75	51,82

KITCHEN ACCESSORIES

01



Left Side Mounted
Montado en el lado izquierdo

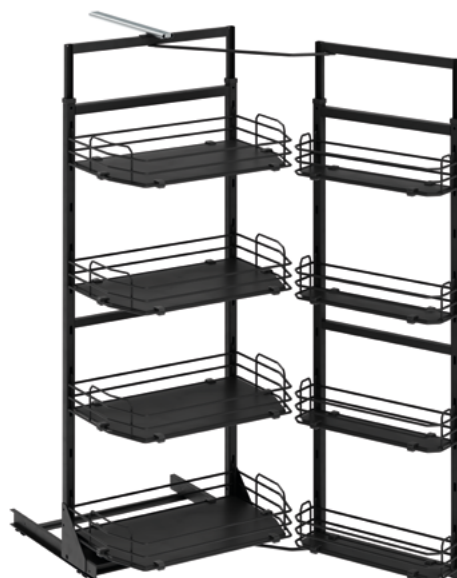
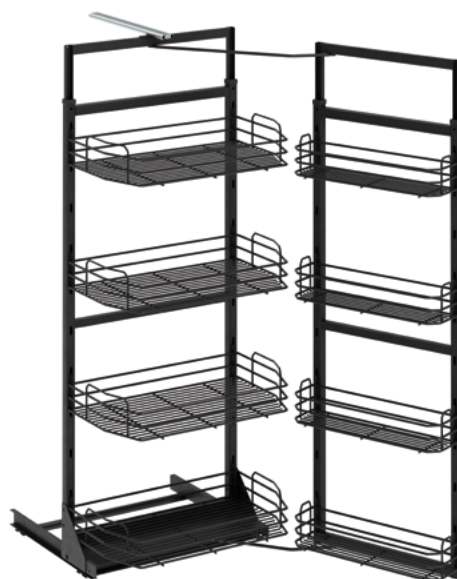


Right Side Mounted
Montado en el lado derecho

Sliding Twin Pantry with Door Attachment

Despensa gemela corrediza con accesorio para puerta

STARAX®

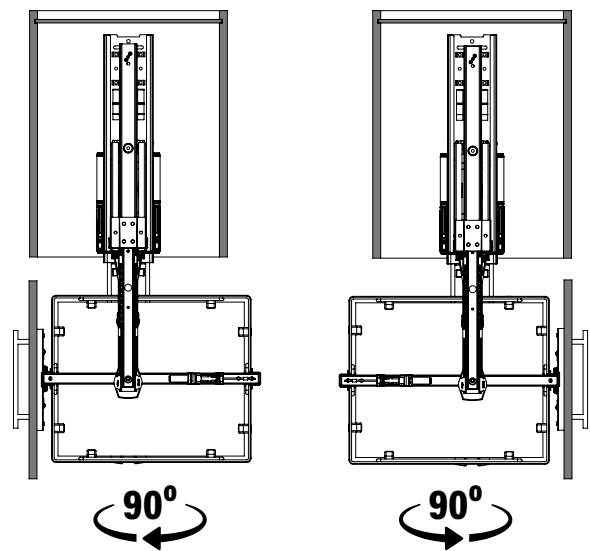


Color Options
Opciones de color



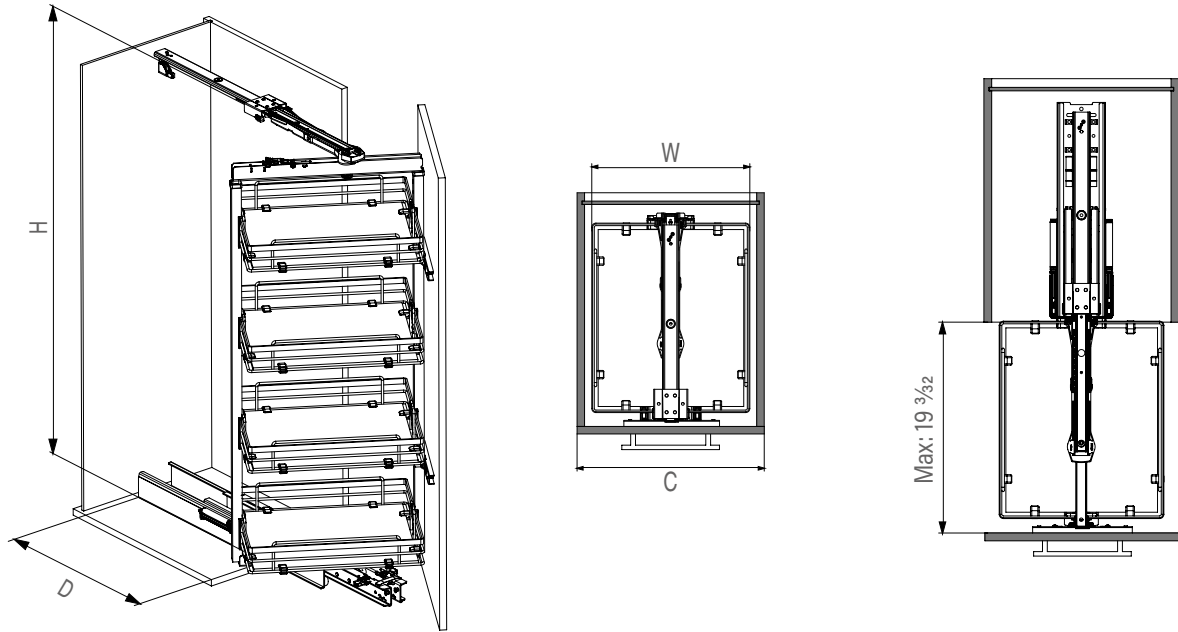
Product Code		Basket	W x D x H (inch)	C (inch)	Box	Volume (in ³)	Weight lbs.	
Wire Bottom	Solid Bottom						Wire	Solid
S-1225-	S-1245-	5	15 x 20 1/8 x 61 - 66 1/8	17 3/4	1	6407,49	58,87	58,87
S-1227-	S-1247-	6	15 x 20 1/8 x 66 7/8 - 72 7/8	17 3/4	1	7078,75	65,49	65,49
S-1229-	S-1249-	6	15 x 20 1/8 x 72 7/8 - 78 3/4	17 3/4	1	7750,02	67,03	67,03

KITCHEN ACCESSORIES



Turning Pullout Pantry with Door Attachment

Despensa extraíble giratoria con fijación a la puerta



5 Baskets | 5 Cestas

Color Options
Opciones de color



Product Code		W x D x H (inch)	C (inch)	Box	Volume (in ³)	Weight lbs.	
Wire Bottom	Solid Bottom					Wire	Solid
S-1428-	S-1728-	15 x 20 1/8 x 55 1/8 - 61	17 3/4	1	7566,94	61,74	68,47

5 Baskets | 5 Cestas

Product Code		W x D x H (inch)	C (inch)	Box	Volume (in ³)	Weight lbs.	
Wire Bottom	Solid Bottom					Wire	Solid
S-1434-	S-1734-	15 x 20 1/8 x 61 - 66 7/8	17 3/4	1	7566,94	65,05	69,02

6 Baskets | 6 Cestas

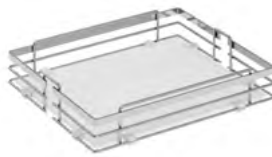
Product Code		W x D x H (inch)	C (inch)	Box	Volume (in ³)	Weight lbs.	
Wire Bottom	Solid Bottom					Wire	Solid
S-1440-	S-1740-	15 x 20 1/8 x 66 7/8 - 72 7/8	17 3/4	1	8970,49	69,46	76,14

6 Baskets | 6 Cestas

Product Code		W x D x H (inch)	C (inch)	Box	Volume (in ³)	Weight lbs.	
Wire Bottom	Solid Bottom					Wire	Solid
S-1446-	S-1746-	15 x 20 1/8 x 72 7/8 - 78 3/4	17 3/4	1	8970,49	70,56	76,58



Chrome Wire Bottom
Fondo de alambre cromado



Chrome Solid Bottom
Fondo sólido de plástico blanco

Pantry Basket | Cesta de despensa

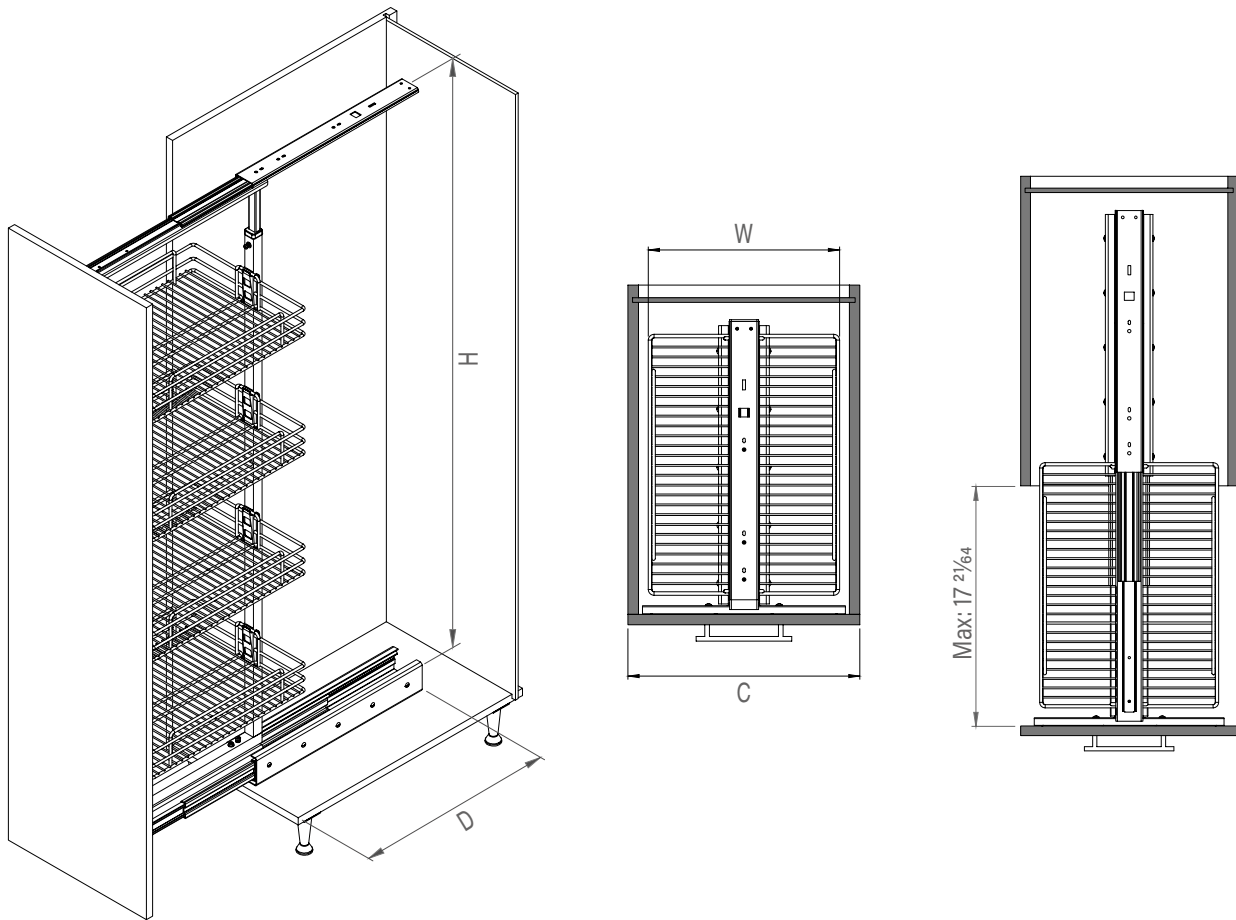
Product Code		W x D x H (inch)	C (inch)	Box	Volume (in ³)	Weight lbs.	
Wire Bottom	Solid Bottom					Wire	Solid
S-1362-	S-1662-	11 1/32 x 17 33/64 x 3 17/64	13 3/4	10	7139,78	44,10	47,63
S-1363-	S-1663-	12 59/64 x 17 33/64 x 3 17/64	15 3/4	10	8421,28	47,41	51,82
S-1364-	S-1664-	14 51/64 x 17 33/64 x 3 17/64	17 3/4	10	9641,75	51,82	56,89
S-1365-	S-1665-	16 59/64 x 17 33/64 x 3 17/64	19 3/4	10	10862,23	56,23	61,08

KITCHEN ACCESSORIES



Soft Close Pullout Ballbearing Pantry

Despensa de rodamiento de bolas extraíble de cierre suave



4 Baskets | 4 Cestas

Color Options
Opciones de color



Product Code		W x D x H (inch)	C (inch)	Box	Volume (in ³)	Weight lbs.	
Wire Bottom	Solid Bottom					Wire	Solid
S-1801-	S-1841-	9 x 20 1/8 x 49 1/4 - 55 1/8	11 3/4	1	5736,23	40,79	43,17
S-1802-	S-1842-	11 x 20 1/8 x 49 1/4 - 55 1/8	13 3/4	1	5736,23	43,00	45,29

5 Baskets | 5 Cestas

Product Code		W x D x H (inch)	C (inch)	Box	Volume (in ³)	Weight lbs.	
Wire Bottom	Solid Bottom					Wire	Solid
S-1810-	S-1850-	15 x 20 1/8 x 55 1/8 - 61	17 3/4	1	7566,94	51,82	56,78

5 Baskets | 5 Cestas

Product Code		W x D x H (inch)	C (inch)	Box	Volume (in ³)	Weight lbs.	
Wire Bottom	Solid Bottom					Wire	Solid
S-1816-	S-1856-	15 x 20 1/8 x 61 - 66 7/8	17 3/4	1	7566,94	50,72	57,22

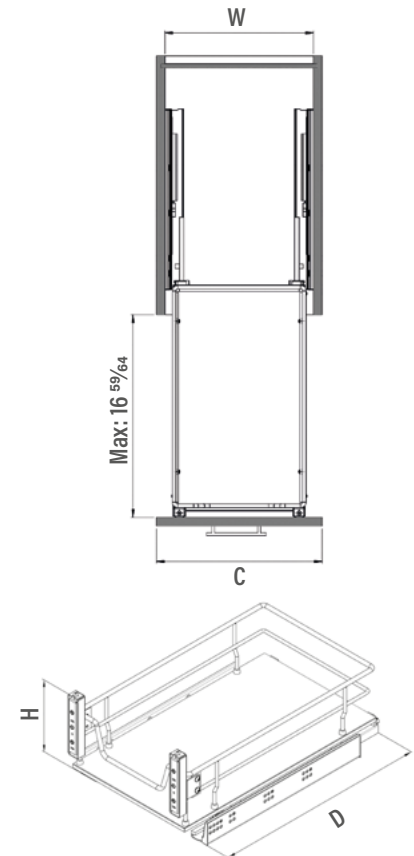
6 Baskets | 6 Cestas

Product Code		W x D x H (inch)	C (inch)	Box	Volume (in ³)	Weight lbs.	
Wire Bottom	Solid Bottom					Wire	Solid
S-1822-	S-1862-	15 x 20 1/8 x 66 7/8 - 72 7/8	17 3/4	1	8970,49	58,43	62,14

6 Baskets | 6 Cestas

Product Code		W x D x H (inch)	C (inch)	Box	Volume (in ³)	Weight lbs.	
Wire Bottom	Solid Bottom					Wire	Solid
S-1828-	S-1868-	15 x 20 1/8 x 72 7/8 - 78 3/4	17 3/4	1	8970,49	59,54	64,78

KITCHEN ACCESSORIES



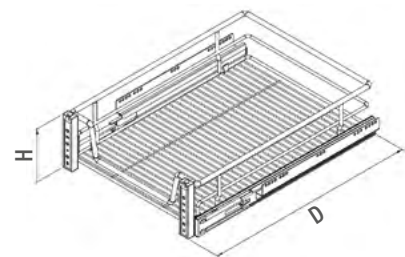
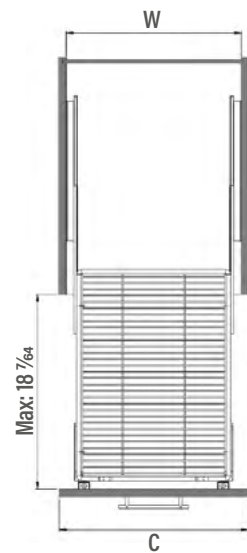
Drawer With Wooden Bottom and Full Extension Undermount Rail Mounted to Lid
Cajón con fondo de madera y riel inferior de extensión completa montado en la tapa

Color Options
Opciones de color

S-XXXX-C
CHROME

S-XXXX-A
ANTHRACITE

Product Code	W x D x H (inch)	C (inch)	Box	Volume (in ³)	Weight lbs.
S-2621-	12 1/4 - 12 59/64 x 19 3/4 x 8 17/64	13 3/4	1	1159,45	9,48
S-2622-	14 1/8 - 14 1/8 x 19 3/4 x 8 17/64	15 3/4	1	1342,52	10,14
S-2623-	16 3/64 - 16 59/64 x 19 3/4 x 8 17/64	17 3/4	1	1525,59	10,25
S-2624-	18 7/64 - 18 57/64 x 19 3/4 x 8 17/64	19 3/4	1	1708,66	10,91
S-2625-	20 5/64 - 20 7/8 x 19 3/4 x 8 17/64	21 5/8	1	1891,74	12,13
S-2626-	22 3/64 - 22 53/64 x 19 3/4 x 8 17/64	23 5/8	1	2074,81	13,01
S-2627-	25 59/64 - 26 49/64 x 19 3/4 x 8 17/64	27 1/2	1	3234,26	13,47
S-2628-	29 59/64 - 30 45/64 x 19 3/4 x 8 17/64	31 1/2	1	3722,45	14,55
S-2629-	33 7/8 - 34 41/64 x 19 3/4 x 8 17/64	35 3/8	1	4210,64	16,53



Full Extension Cookware Organizer with Undermount Rail and Door Attachment
 Organizador de utensilios de cocina de extensión completa con riel de montaje inferior y accesorio de fijación para puerta

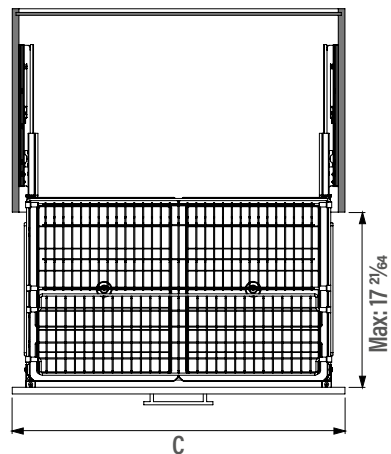
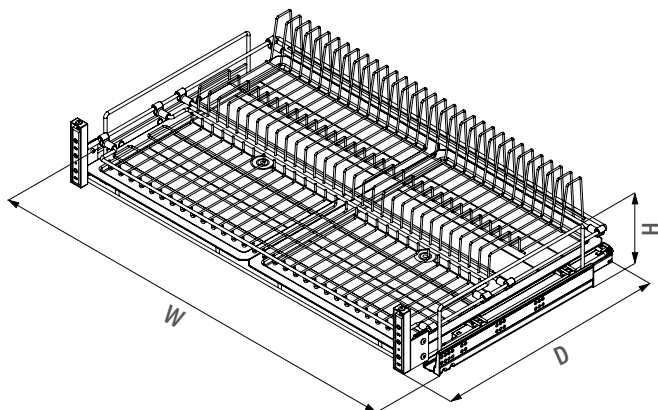
Color Options
Opciones de color

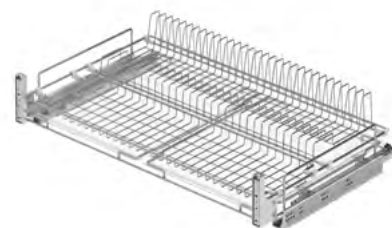
S-XXXX-C
CHROME

S-XXXX-A
ANTHRACITE

Product Code	W x D x H (inch)	C (inch)	Box	Volume (in ³)	Weight lbs.
S-2071-	26 - 26 ¼ x 20 ½ x 5 ½	27 ½	1	3417,33	13,47

KITCHEN ACCESSORIES





Sliding Dish Organizer Drawer with Door Attachment
Cajón organizador de platos deslizante con accesorio de fijación para puerta

Color Options
Opciones de color

S-XXXX-C
CHROME

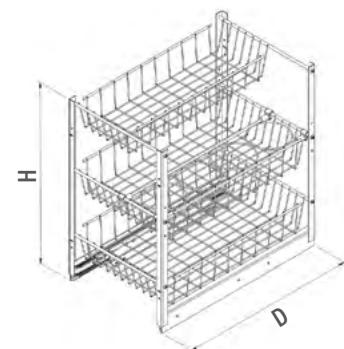
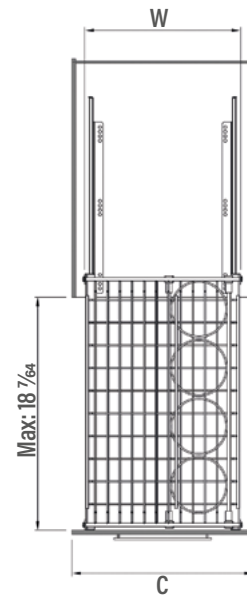
S-XXXX-A
ANTHRACITE

Product Code	W x D x H (inch)	C (inch)	Box	Volume (in ³)	Weight lbs.
S-2031-	22- 22 7/8 x 22 3/4 x 20 1/2 x 7 1/4	23 5/8	1	2746,07	13,01
S-2032-	26-26 3/4 x 20 1/2 x 7 1/4	27 1/2	1	3234,26	13,47
S-2033-	29 7/8 - 30 3/4 x 20 1/2 x 7 1/4	31 1/2	1	3722,45	14,55
S-2034-	33 7/8 - 34 5/8 x 20 1/2 x 7 1/4	35 3/8	1	4210,64	16,54

KITCHEN ACCESSORIES



Plastic Trays / Bandejas plásticas



Soft Close Base Cabinet Organizer with Door Attachment

Organizador de gabinete de base de cierre suave con accesorio de fijación para puerta

Color Options
Opciones de color

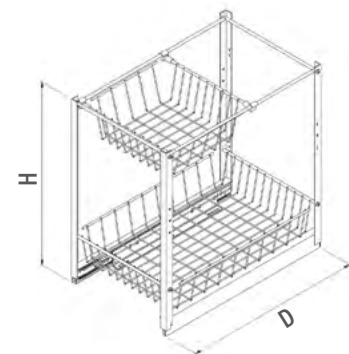
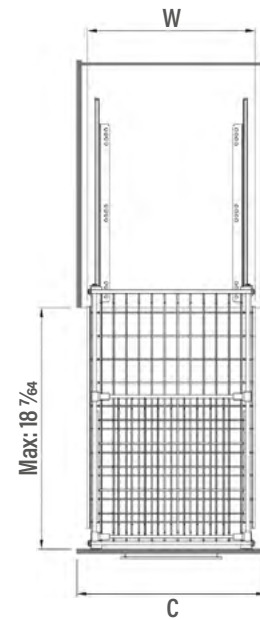
S-XXXX-C
CHROME

S-XXXX-A
ANTHRACITE

Product Code	W x D x H (inch)	C (inch)	Box	Volume (in ³)	Weight lbs.
S-2120-	8 ¼ x 19 ¾ x 20 ½	11 ¾	1	1769,69	14,66
S-2121-	10 ¼ x 19 ¾ x 20 ½	13 ¾	1	1769,69	15,32
S-2123-	14 ½ x 19 ¾ x 20 ½	17 ¾	1	1769,69	16,32
S-2124-	16 ½ x 19 ¾ x 20 ½	19 ¾	1	1769,69	16,98
S-2126-	20 ½ x 19 ¾ x 20 ½	23 ¾	1	1769,69	18,19



Plastic Trays / Bandejas plásticas



Soft Close Base Cabinet Unit Organizer with Bread Basket
Organizador de gabinete de base de cierre suave con canasta de pan

Color Options
Opciones de color

S-XXXX-C
CHROME

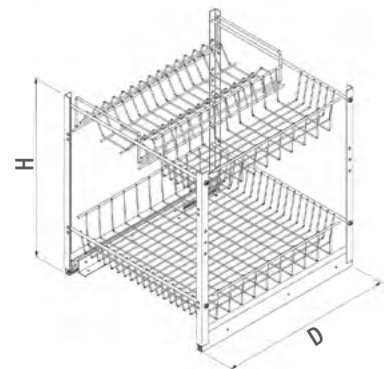
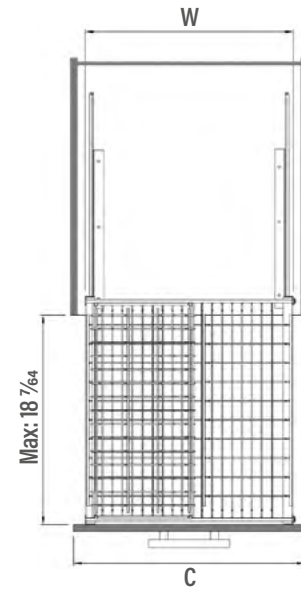
S-XXXX-A
ANTHRACITE

Product Code	W x D x H (inch)	C (inch)	Box	Volume (in ³)	Weight lbs.
S-2151-	8 ¼ x 19 ¾ x 20 ½	11 ¾	1	1769,69	13,56
S-2153-	12 ¼ x 19 ¾ x 20 ½	15 ¾	1	1769,69	14,55
S-2154-	14 ½ x 19 ¾ x 20 ½	17 ¾	1	1769,69	14,99

KITCHEN ACCESSORIES



Plastic Trays / Bandejas plásticas



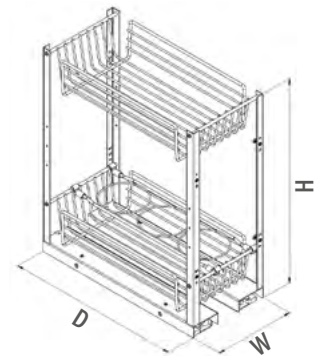
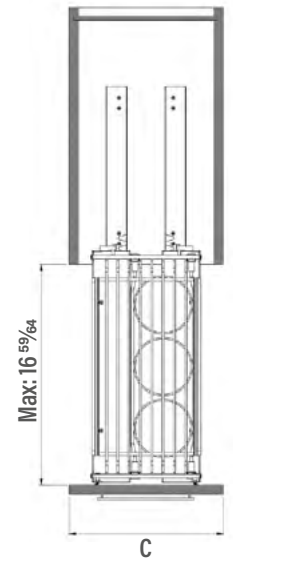
Soft Close Glass and Dish Organizer with Door Attachment
 Organizador de platos y vasos de cierre suave con accesorio de fijación para puerta

Color Options
 Opciones de color

S-XXXX-C
 CHROME

S-XXXX-A
 ANTHRACITE

Product Code	W x D x H (inch)	C (inch)	Box	Volume (in ³)	Weight lbs.
S-2165-	18 1/8 x 19 3/4 x 20 1/2	21 5/8	1	1769,69	16,10



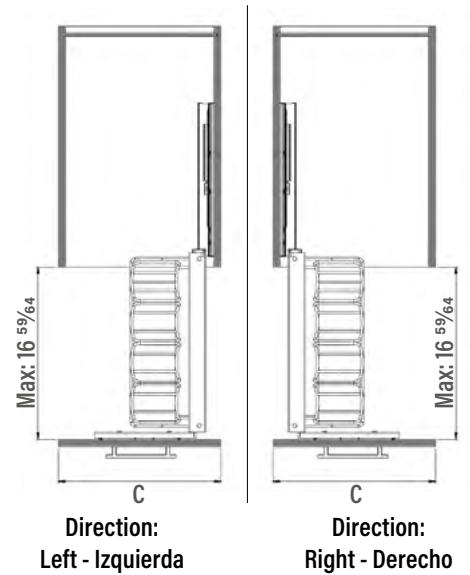
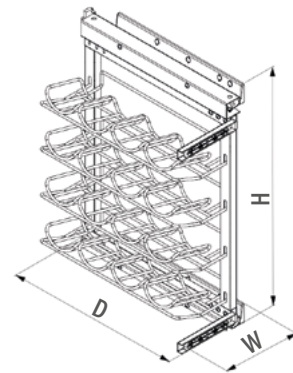
2 Baskets Soft Close Base Organizer
Organizador de base de cierre suave de 2 cestas

Color Options
 Opciones de color

S-XXXX-C
 CHROME

S-XXXX-A
 ANTHRACITE

Product Code	W x D x H (inch)	C (inch)	Box	Volume (in ³)	Weight lbs.
S-2170-	8 5/8 x 18 1/8 x 21 1/4	11 3/4	1	1769,69	13,78
S-2171-	10 5/8 x 18 1/8 x 21 1/4	13 3/4	1	1769,69	14,11
S-2172-	12 5/8 x 18 1/8 x 21 1/4	15 3/4	1	1769,69	14,55
S-2173-	14 5/8 x 18 1/8 x 21 1/4	17 3/4	1	1769,69	14,99
S-2174-	16 1/2 x 18 1/8 x 21 1/4	19 3/4	1	1769,69	15,44
S-2175-	18 1/2 x 18 1/8 x 21 1/4	21 5/8	1	1769,69	15,88
S-2176-	20 1/2 x 18 1/8 x 21 1/4	23 5/8	1	1769,69	16,21



Sliding Wine Base Cabinet with Door Attachment
Gabinete para vinos corredizo con accesorio de fijación para puerta

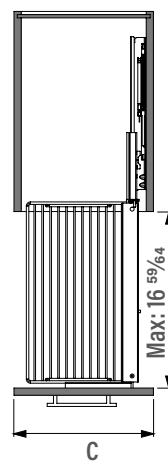
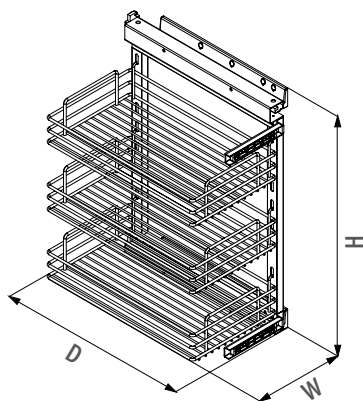
Color Options
Opciones de color

S-XXXX-C
CHROME

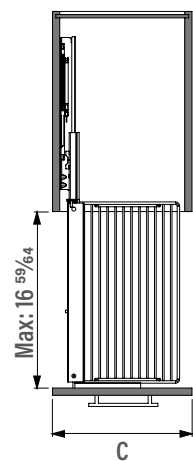
S-XXXX-A
ANTHRACITE

Product Code	W x D x H (inch)	C (inch)	Direction	Box	Volume (in ³)	Weight lbs.
S-2181-	10 ¼ x 18 ½ x 25 ¼	15 ¾	Left - Izquierda	1	3905,52	12,79
S-2182-	10 ¼ x 18 ½ x 25 ¼	15 ¾	Right - Derecho	1	3905,52	12,79

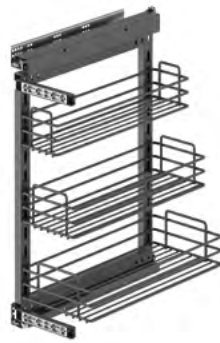
KITCHEN ACCESSORIES



Direction:
Left - Izquierda



Direction:
Right - Derecho



Soft Close Base Cabinet Organizer with Door Attachment

Organizador de gabinete de base de cierre suave con accesorio de fijación para puerta

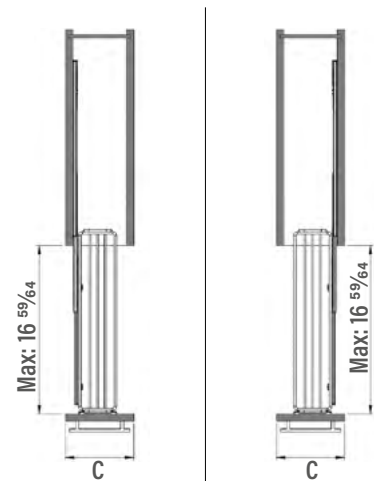
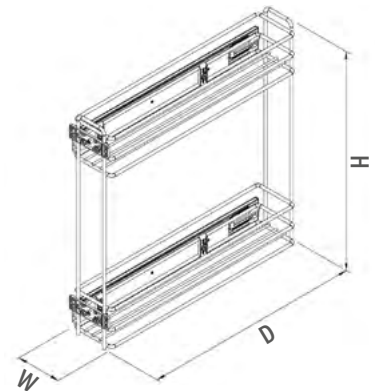
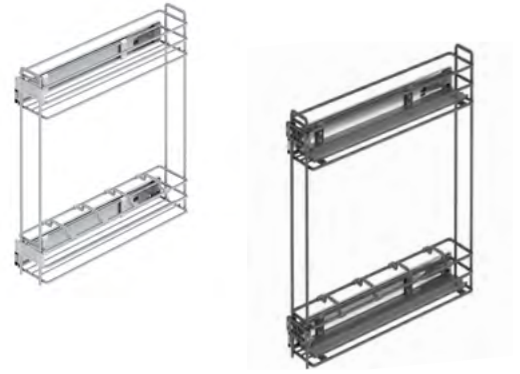
Color Options
Opciones de color

S-XXXX-C
CHROME

S-XXXX-A
ANTHRACITE

Product Code		Direction	W x D x H (inch)	C (inch)	Box	Volume (in ³)	Weight lbs.	
Wire Bottom	Solid Bottom						Wire	Solid
S-2203-	S-2242-	Left - Izquierda	8 1/8 x 18 1/2 x 25	9 7/8	1	3905,52	22,71	23,81
S-2204-	S-2243-	Right - Derecho	8 1/8 x 18 1/2 x 25	9 7/8	1	3905,52	22,71	23,81
S-2205-	S-2244-	Left - Izquierda	10 x 18 1/2 x 25	11 3/4	1	3905,52	23,81	24,92
S-2206-	S-2245-	Right - Derecho	10 x 18 1/2 x 25	11 3/4	1	3905,52	23,81	24,92
S-2207-	S-2246-	Left - Izquierda	10 - 8 1/8 - 6 1/8 x 18 1/2 x 25	11 3/4	1	3905,52	22,93	23,15
S-2208-	S-2247-	Right - Derecho	10 - 8 1/8 - 6 1/8 x 18 1/2 x 25	11 3/4	1	3905,52	22,93	23,15
S-2791-	S-2795-	Left - Izquierda	12 x 18 1/2 x 25	13 3/4	1	3905,52	25,14	26,68
S-2792-	S-2796-	Right - Derecho	12 x 18 1/2 x 25	13 3/4	1	3905,52	25,14	26,68
S-2793-	S-2797-	Left - Izquierda	14 x 18 1/2 x 25	15 3/4	1	3905,52	26,68	27,78
S-2794-	S-2798-	Right - Derecho	14 x 18 1/2 x 25	15 3/4	1	3905,52	26,68	27,78

KITCHEN ACCESSORIES



Direction:
Left - Izquierda

Direction:
Right - Derecho

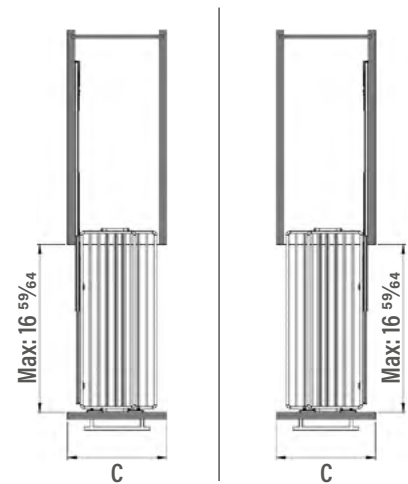
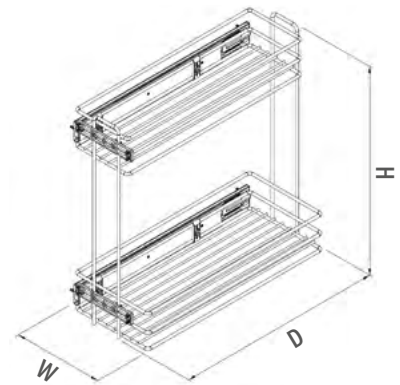
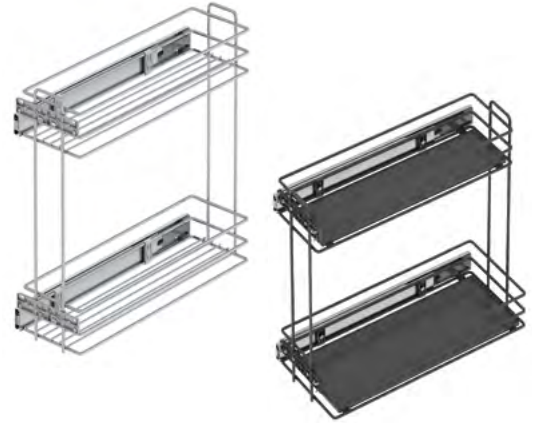


Soft Close Two-tier Base Organizer With Door Attachment
Organizador de base de dos niveles de cierre suave con accesorio de fijación para puerta

Color Options
Opciones de color



Product Code		W x D x H (inch)	C (inch)	Box	Volume (in ³)	Weight lbs.	
Wire Bottom	Solid Bottom					Wire	Solid
S-2211-	S-2219-	4 ¼ x 18 ½ x 18 ½	5 ⅞	1	1586,62	10,03	10,36



Direction:
Left - Izquierda

Direction:
Right - Derecho



Soft Close Sliding Cleaning Supplies Organizer with Door Attachment
Organizador de suministros de limpieza deslizando de cierre suave con accesorio de fijación para puerta

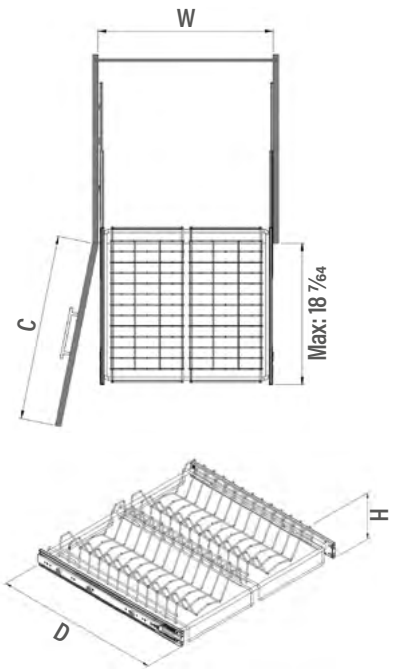
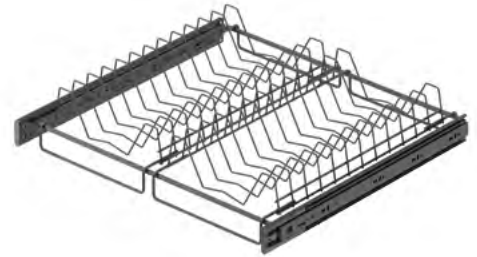
Color Options
Opciones de color

S-XXXX-C
CHROME

S-XXXX-A
ANTHRACITE

Product Code		W x D x H (inch)	C (inch)	Box	Volume (in ³)	Weight lbs.	
Wire Bottom	Solid Bottom					Wire	Solid
S-2213-	S-2481-	6 x 18 ½ x 18 ½	7 ⅞	1	2440,95	10,41	11,51
S-2214-	S-2482-	8 ⅞ x 18 ½ x 18 ½	9 ⅞	1	3539,38	12,35	12,62
S-2215-	S-2483-	8 ⅞ / 6 x 18 ½ x 18 ½	9 ⅞	1	3539,38	11,73	12,89

KITCHEN ACCESSORIES



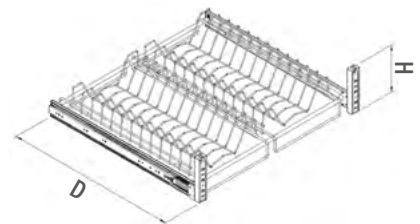
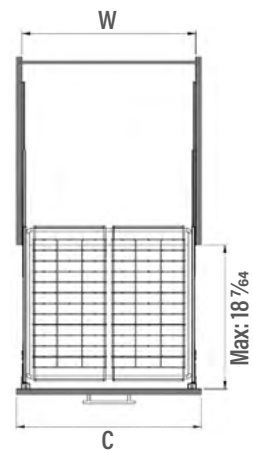
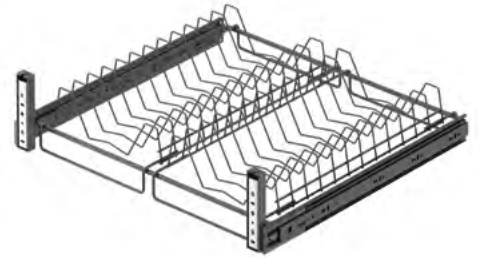
Sliding Dish Organizer Drawer Cajón organizador de platos deslizante

Color Options
Opciones de color

S-XXXX-C
CHROME

S-XXXX-A
ANTHRACITE

Product Code	W x D x H (inch)	C (inch)	Box	Volume (in ³)	Weight lbs.
S-2232-	22 x 19 3/4 x 3 1/2	23 5/8	1	0,029	4,500



Sliding Dish Organizer Drawer with Door Attachment
Cajón organizador de platos deslizante con accesorio de fijación para puerta

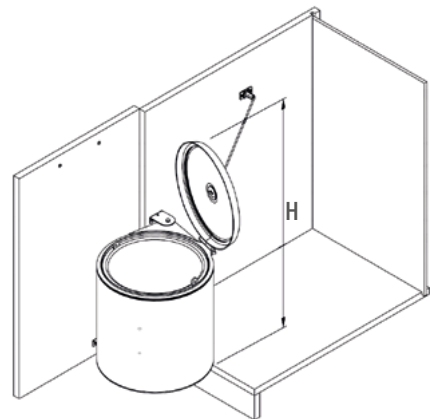
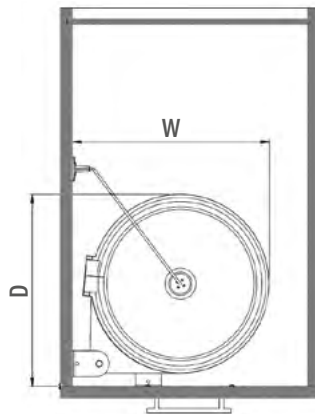
Color Options
Opciones de color

S-XXXX-C
CHROME

S-XXXX-A
ANTHRACITE

Product Code	W x D x H (inch)	C (inch)	Box	Volume (in ³)	Weight lbs.
S-2233-	22 x 20 1/2 x 5 1/8	23 5/8	1	1769,69	10,80

KITCHEN ACCESSORIES

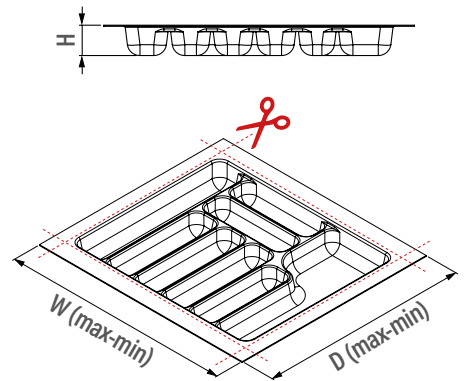
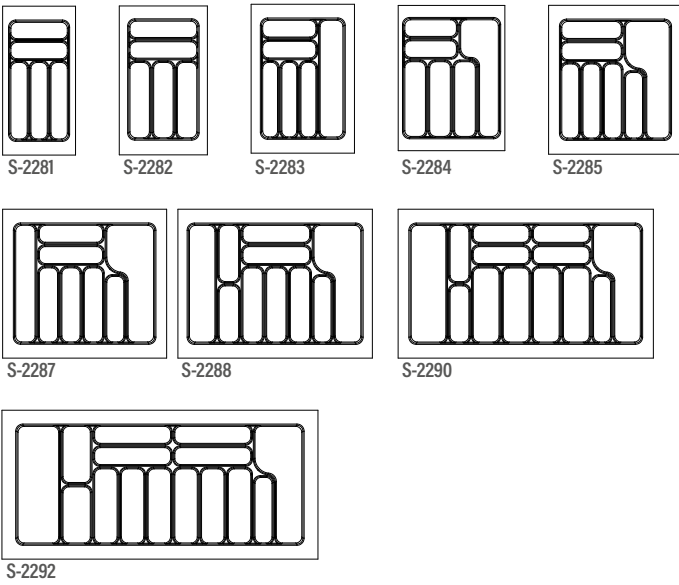


Waste Bin 10 liters
Papelerera de 10 litros

Color Options
Opciones de color

S-XXXX-SS
STAINLESS STEEL

Product Code	W x D x H (inch)	Lt.	Box	Volume (in ³)	Weight lbs.
S-2251-	14 3/8 x 11 3/4 x 12 5/8	10	12	18917,36	56,07



Cut to Size Cutlery Tray
Organizador de cubiertos para ser cortado a la medida

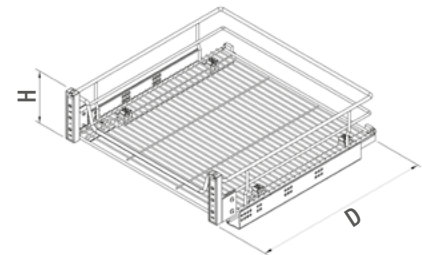
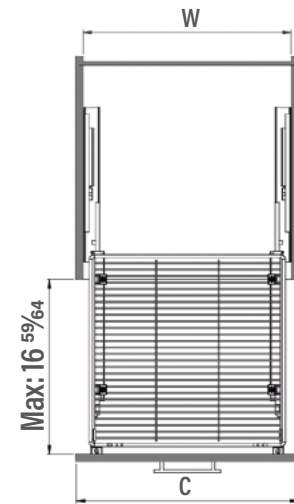
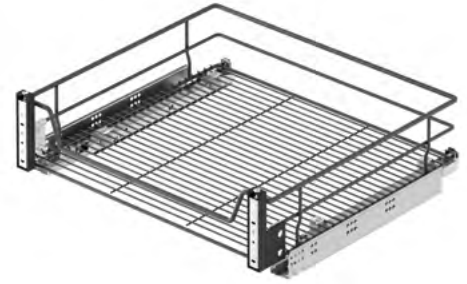
Color Options
 Opciones de color **S-XXXX-G**
 GREY

Product Code	W x D x H (inch)	C (inch)	Box	Volume (in ³)	Weight lbs.
S-2281-	9 ½ - 8 ¼ x 19 ¼ - 16 ½ x 2 ½	11 ¾	15	4454,73	13,23
S-2282-	11 ¾ - 9 ¾ x 19 ¼ - 16 ½ x 2 ½	13 ¾	15	5309,07	17,42
S-2292-	41 - 37 ¾ x 19 ¼ - 16 ½ x 2 ½	43 ¾	15	20931,14	55,08

Color Options
 Opciones de color **S-XXXX-G** GREY **S-XXXX-W** WHITE **S-XXXX-A** ANTHRACITE

Product Code	W x D x H (inch)	C (inch)	Box	Volume (in ³)	Weight lbs.
S-2283-	13 ¾ - 11 ¾ x 19 ¼ - 16 ½ x 2 ½	15 ¾	15	6224,42	18,87
S-2284-	15 ¾ - 13 x 19 ¼ - 16 ½ x 2 ½	17 ¾	15	7627,97	22,42
S-2285-	17 ¾-15 x 19 ¼-16 ½ x 2 ½	19 ¾	15	8116,16	22,67
S-2287-	21 ¼-18 ¾ x 19 ¼-16 ½ x 2 ½	23 ¾	15	10496,08	30,16
S-2288-	25 ¼-23 ¼ x 19 ¼-16 ½ x 2 ½	27 ½	15	15255,94	33,52
S-2290-	33 ¾ - 30 ¾ x 19 ¼-16 ½ x 2 ½	35 ¾	15	18368,15	44,19

KITCHEN ACCESSORIES



Full Extension Cookware Organizer with Undermount Rail and Door Attachment

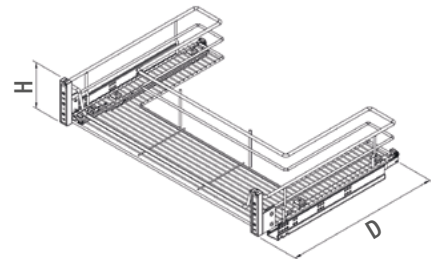
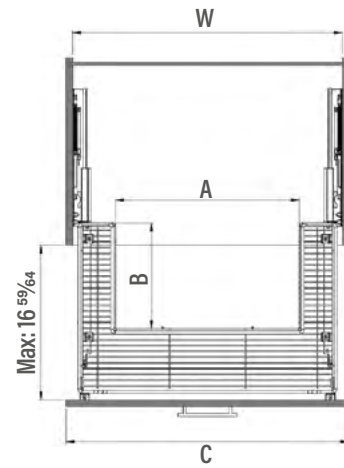
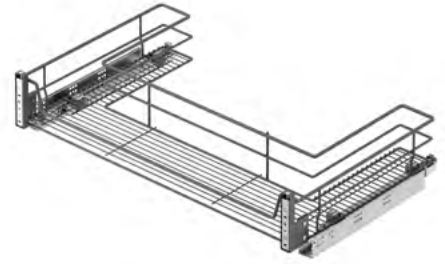
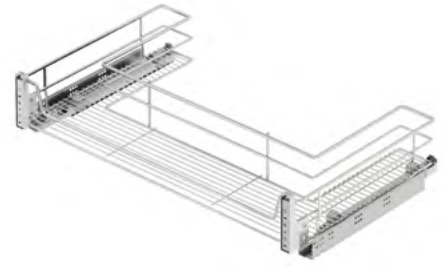
Organizador de utensilios de cocina de extensión completa con riel de montaje inferior y accesorio de fijación para puerta

Color Options
Opciones de color

S-XXXX-C
CHROME

S-XXXX-A
ANTHRACITE

Product Code	W x D x H (inch)	C (inch)	Box	Volume (in ³)	Weight lbs.
S-2341-	12 ¼ - 13 x 19 ¾ x 6 ¼	13 ¾	1	1037,40	9,48
S-2342-	14 ½ - 15 x 19 ¾ x 6 ¼	15 ¾	1	1220,47	10,14
S-2343-	16 ½ - 16 7/8 x 19 ¾ x 6 ¼	17 ¾	1	1403,55	10,25
S-2344-	18 ½ - 18 7/8 x 19 ¾ x 6 ¼	19 ¾	1	1586,62	10,91
S-2345-	20 ½ - 20 7/8 x 19 ¾ x 6 ¼	21 5/8	1	1769,69	12,13
S-2346-	22 - 22 7/8 x 19 ¾ x 6 ¼	23 5/8	1	1952,76	13,01
S-2347-	26 - 26 ¾ x 19 ¾ x 6 ¼	27 ½	1	3417,33	13,47
S-2348-	29 7/8 - 30 ¾ x 19 ¾ x 6 ¼	31 ½	1	3966,54	14,55
S-2349-	33 7/8 - 34 5/8 x 19 ¾ x 6 ¼	35 5/8	1	4454,73	16,54



U-Shaped Soft Close Undersink Organizer with Door Attachment

Organizador para debajo del fregadero con cierre suave en forma de U con accesorio para puerta

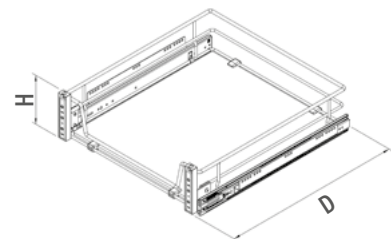
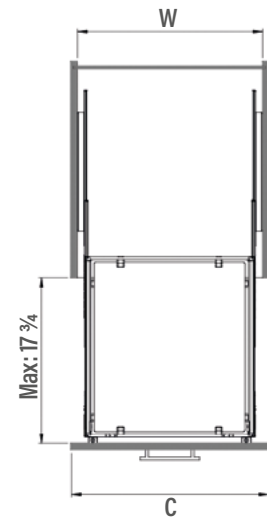
Color Options
Opciones de color

S-XXXX-C
CHROME

S-XXXX-A
ANTHRACITE

Product Code	W x D x H (inch)	A	B	C (inch)	Box	Volume (in ³)	Weight lbs.
S-2353-	29 7/8 - 30 3/4 x 19 3/4 x 6 1/4	20 43/64	11 3/4	31 1/2	1	3966,54	13,94
S-2354-	33 7/8 - 34 5/8 x 19 3/4 x 6 1/4	24 39/64	11 3/4	35 3/8	1	4454,73	14,99

KITCHEN ACCESSORIES



Solid Bottom Soft Close Cookware Organizer with Door Attachment

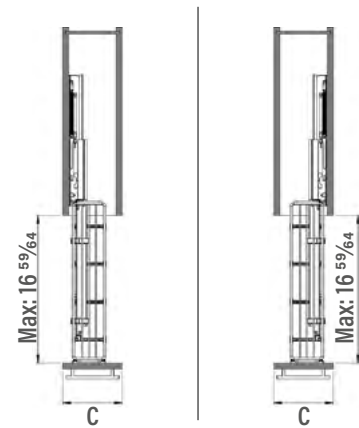
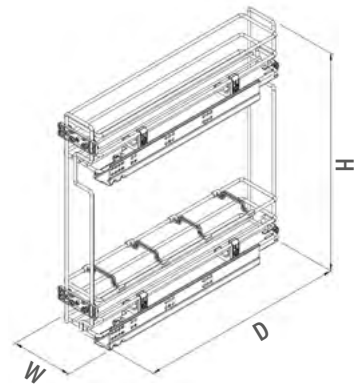
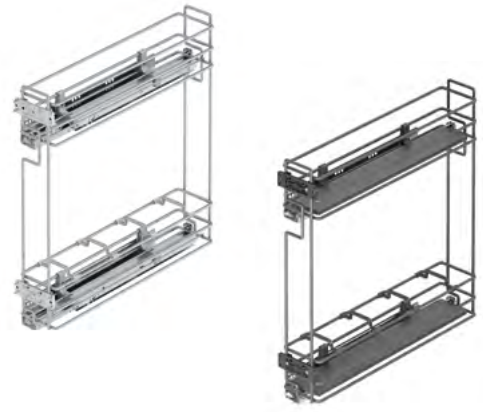
Cajón organizador de utensilios de cocina de fondo sólido y cierre suave con accesorio de fijación para puerta

Color Options
Opciones de color

S-XXXX-C
CHROME

S-XXXX-A
ANTHRACITE

Product Code	W x D x H (inch)	C (inch)	Box	Volume (in ³)	Weight lbs.
S-2357-	12 ¼ - 12 ½ x 20 ½ x 5 ½	13 ¾	1	1037,40	9,81
S-2359-	16 ¼ - 16 ⅝ x 20 ½ x 5 ½	17 ¾	1	1403,55	10,96
S-2361-	20 ⅛ - 20 ¼ x 20 ½ x 5 ½	21 ⅝	1	1769,69	12,57



Direction:
Left - Izquierda

Direction:
Right - Derecho



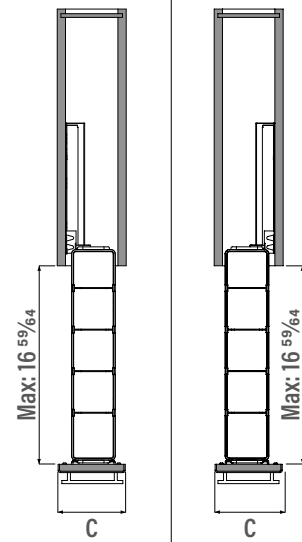
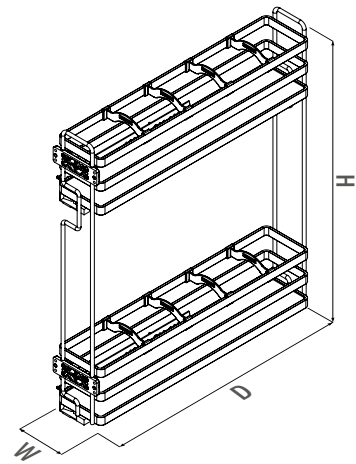
Soft Close Base Cabinet Organizer with Door Attachment
Organizador de gabinete de base de cierre suave con accesorio de fijación para puerta

Color Options
Opciones de color



Product Code		Direction	W x D x H (inch)	C (inch)	Box	Volume (in³)	Weight lbs.	
Wire Bottom	Solid Bottom						Wire	Solid
S-2413-	S-2477-	Right - Derecho	4 1/8 x 18 3/4 x 19 1/2	5 7/8	1	1586,62	11,44	11,77
S-2414-	S-2478-	Left - Izquierda	4 1/8 x 18 3/4 x 19 1/2	5 7/8	1	1586,62	11,44	11,77

KITCHEN ACCESSORIES



Direction:
Left - Izquierda

Direction:
Right - Derecho



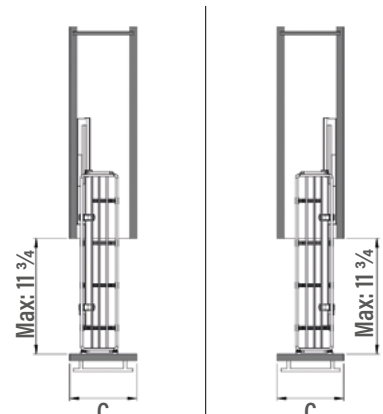
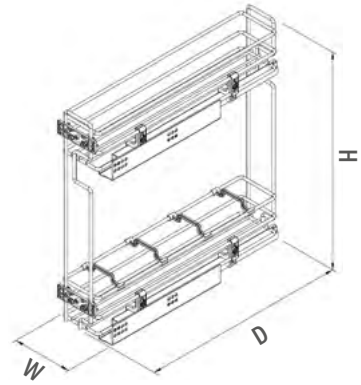
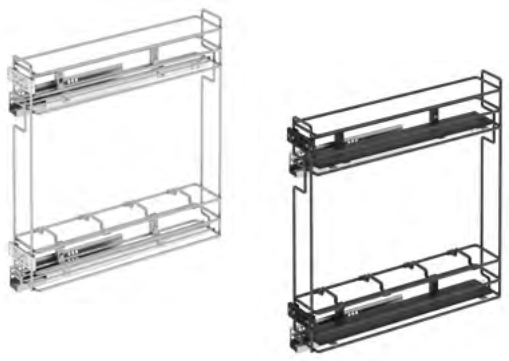
Flat Wire Bottle Holder with Anti-Slip Wooden Bottom and Full Extension Slide
Portabotellas de alambre plano con base de madera antideslizante y tobogán de extensión completa

Color Options
Opciones de color

S-XXXX-C
CHROME

S-XXXX-A
ANTHRACITE

Product Code	W x D x H (inch)	C (inch)	Direction	Box	Volume (in ³)	Weight lbs.
S-2661-	4 ¼ x 18 ¾ x 21 7/8	5 7/8	Right - Derecho	1	1647,64	13,67
S-2662-	5 ¼ x 18 ¾ x 21 7/8	5 7/8	Left - Izquierda	1	1647,64	13,67



Direction:
Left - Izquierda

Direction:
Right - Derecho



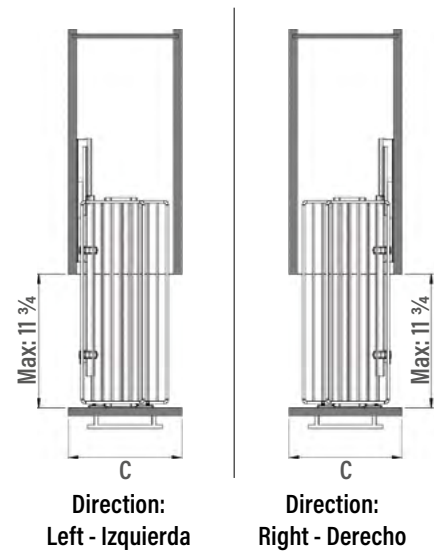
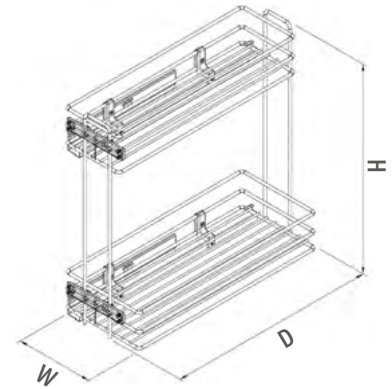
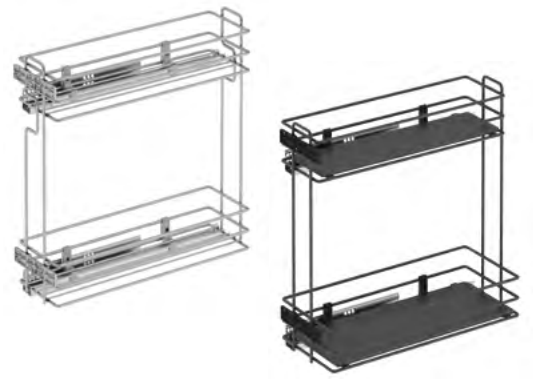
Soft Close Single Extension Base Cabinet Organizer with Door Attachment
Organizador de gabinete de base de extensión simple de cierre suave con accesorio de fijación para puerta

Color Options
Opciones de color



Product Code		Direction	W x D x H (inch)	C (inch)	Box	Volume (in ³)	Weight lbs.	
Wire Bottom	Solid Bottom						Wire	Solid
S-2421-	S-2475-	Right - Derecho	4 1/8 x 18 3/4 x 19 1/2	5 7/8	1	1586,62	9,29	9,62
S-2422-	S-2476-	Left - Izquierda	4 1/8 x 18 3/4 x 19 1/2	5 7/8	1	1586,62	9,29	9,62

KITCHEN ACCESSORIES



Soft Close Sliding Cleaning Supplies Organizer with Door Attachment

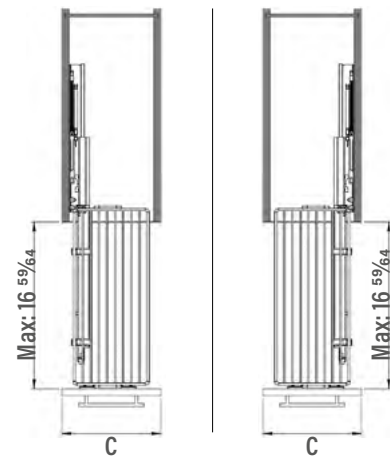
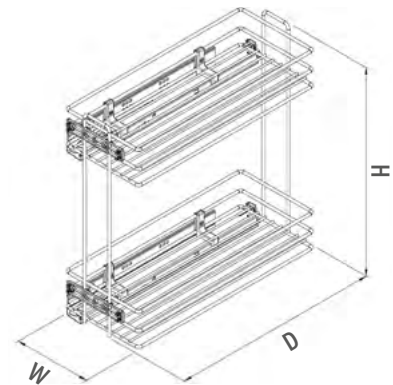
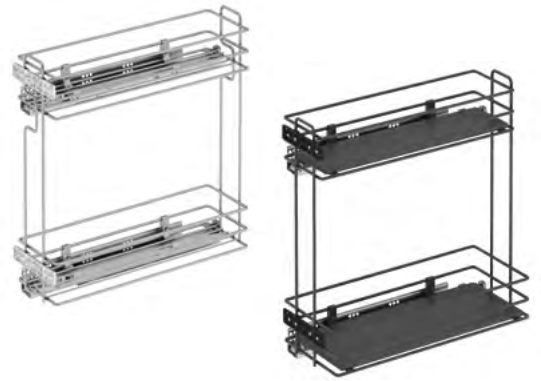
Organizador de suministros de limpieza deslizable de cierre suave con accesorio de fijación para puertas

Color Options
Opciones de color

S-XXXX-C
CHROME

S-XXXX-A
ANTHRACITE

Product Code		Direction	W x D x H (inch)	C (inch)	Box	Volume (in ³)	Weight lbs.	
Wire Bottom	Solid Bottom						Wire	Solid
S-2423-	S-2485-	Right - Derecho	6 x 18 3/4 x 19 1/2	7 7/8	1	2440,95	10,21	10,73
S-2426-	S-2484-	Left - Izquierda	6 x 18 3/4 x 19 1/2	7 7/8	1	2440,95	10,21	10,73
S-2424-	S-2487-	Right - Derecho	8 x 18 3/4 x 19 1/2	9 7/8	1	3539,38	11,21	11,80
S-2427-	S-2486-	Left - Izquierda	8 x 18 3/4 x 19 1/2	9 7/8	1	3539,38	11,21	11,80
S-2425-	S-2489-	Right - Derecho	8 / 6 x 18 3/4 x 19 1/2	9 7/8	1	3539,38	11,40	12,06
S-2428-	S-2488-	Left - Izquierda	8 / 6 x 18 3/4 x 19 1/2	9 7/8	1	3539,38	11,40	12,06



Direction:
Left - Izquierda

Direction:
Right - Derecho



Full Extension Soft Close Cleaning Supplies Organizer with Door Attachment

Organizador de suministros de limpieza de extensión completa, cierre suave y accesorio de fijación para puertas

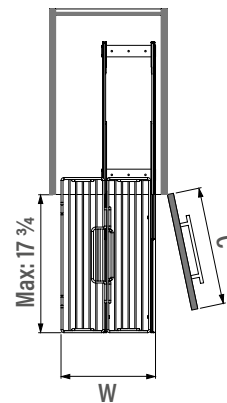
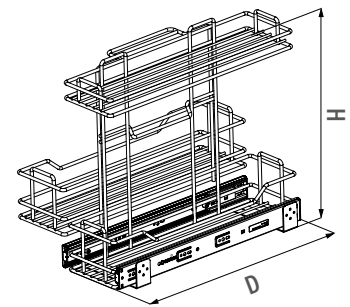
Color Options
Opciones de color

S-XXXX-C
CHROME

S-XXXX-A
ANTHRACITE

Product Code		Direction	W x D x H (inch)	C (inch)	Box	Volume (in ³)	Weight lbs.	
Wire Bottom	Solid Bottom						Wire	Solid
S-2441-	S-2491-	Left - Izquierda	6 x 18 ¾ x 19 ½	7 7/8	1	2440,95	12,37	12,88
S-2442-	S-2492-	Right - Derecho	6 x 18 ¾ x 19 ½	7 7/8	1	2440,95	12,37	12,88
S-2443-	S-2493-	Left - Izquierda	8 x 18 ¾ x 19 ½	9 7/8	1	3539,38	13,36	13,95
S-2444-	S-2494-	Right - Derecho	8 x 18 ¾ x 19 ½	9 7/8	1	3539,38	13,36	13,95
S-2445-	S-2495-	Left - Izquierda	8 / 6 x 18 ¾ x 19 ½	9 7/8	1	3539,38	13,56	14,22
S-2446-	S-2496-	Right - Derecho	8 / 6 x 18 ¾ x 19 ½	9 7/8	1	3539,38	13,56	14,22

KITCHEN ACCESSORIES



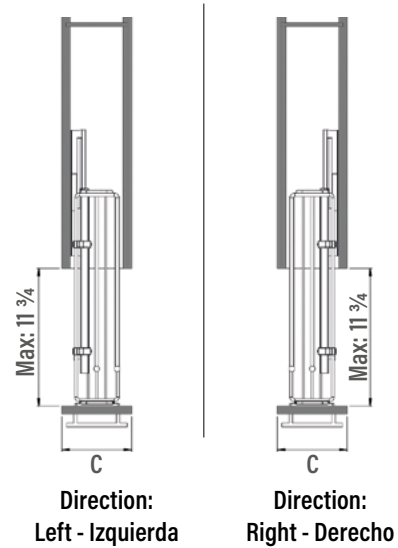
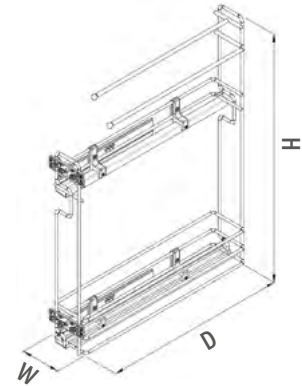
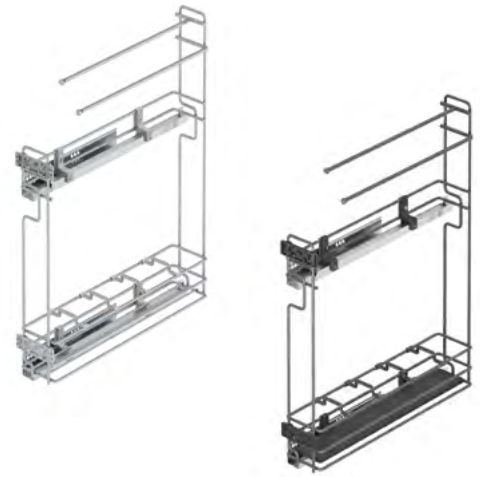
Pullout Cleaning Product Organizer Organizador de productos de limpieza extraíble

Color Options
Opciones de color

S-XXXX-C
CHROME

S-XXXX-A
ANTHRACITE

Product Code	W x D x H (inch)	C (inch)	Box	Volume (in ³)	Weight lbs.
S-2498-	11 x 18 1/8 x 16	13 3/4	1	2135,83	11,69



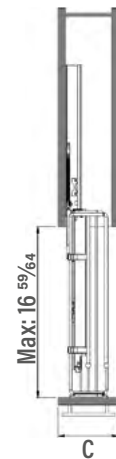
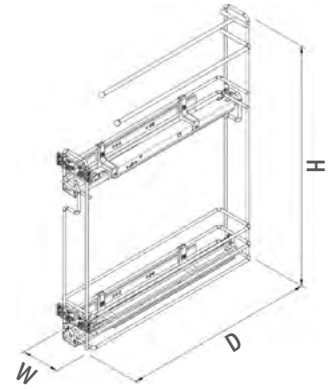
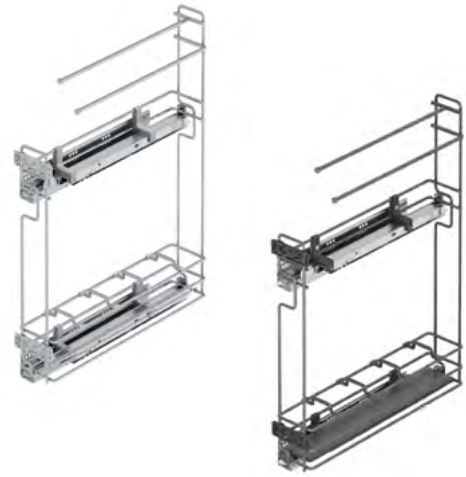
Base Cabinet Organizer with Towel Holder and Door Attachment
Organizador de gabinete base con toallero y accesorio de fijación para puerta

Color Options
Opciones de color

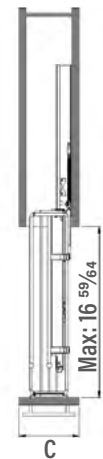


Product Code		Direction	W x D x H (inch)	C (inch)	Box	Volume (in ³)	Weight lbs.	
Wire Bottom	Solid Bottom						Wire	Solid
S-2501-	S-2511-	Left - Izquierda	4 1/8 x 18 3/4 x 25 1/4	5 7/8	1	2013,78	9,29	9,62
S-2502-	S-2512-	Right - Derecho	4 1/8 x 18 3/4 x 25 1/4	5 7/8	1	2013,78	9,29	9,62

KITCHEN ACCESSORIES



Direction:
Left - Izquierda



Direction:
Right - Derecho

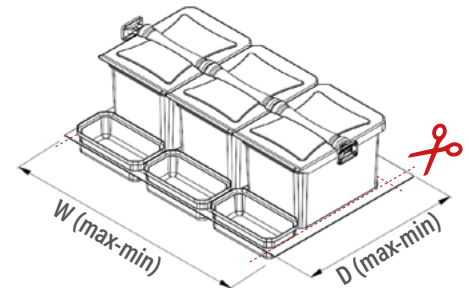
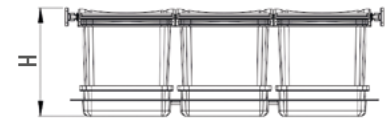


Full Extension Base Cabinet Organizer with Towel Holder and Door Attachment
Organizador de gabinete base con toallero de extensión completa y accesorio de fijación para puerta

Color Options
Opciones de color



Product Code		Direction	W x D x H (inch)	C (inch)	Box	Volume (in ³)	Weight lbs.	
Wire Bottom	Solid Bottom						Wire	Solid
S-2521-	S-2641-	Left - Izquierda	4 1/8 x 18 3/4 x 25 1/4	5 7/8	1	2013,78	11,44	11,77
S-2522-	S-2642-	Right - Derecho	4 1/8 x 18 3/4 x 25 1/4	5 7/8	1	2013,78	11,44	11,77



Inner Drawer Waste Bin (Automatic)
Cajón extraíble para papeleras (Automático)

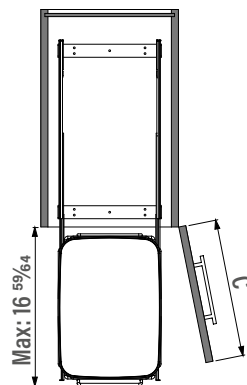
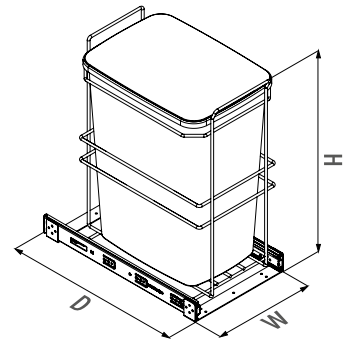
Color Options
 Opciones de color

S-XXXX-G
 GREY

S-XXXX-A
 ANTHRACITE

Product Code	W (inch)	C (inch)	Lt.	Box	Volume (in ³)	Weight lbs.
S-2555-	29 1/8 - 27 3/4 x 19 1/4 - 16 3/8 x 10 3/8	31 1/2	12+12+12+1+1+1	1	6163,40	9,77
S-2556-	29 1/8 - 27 3/4 x 19 1/4 - 16 3/8 x 13	31 1/2	16+16+16+1+1+1	1	6163,40	9,77
S-2565-	33 1/8 - 31 1/2 x 19 1/4 - 16 3/8 x 10 3/8	35 3/8	12+12+12+1+1+1	1	6956,71	10,32
S-2566-	33 1/8 - 31 1/2 x 19 1/4 - 16 3/8 x 13	35 3/8	16+16+16+1+1+1	1	6956,71	10,32

KITCHEN ACCESSORIES



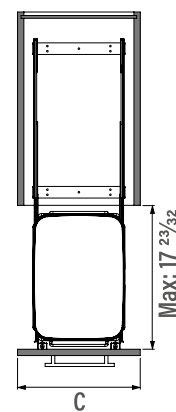
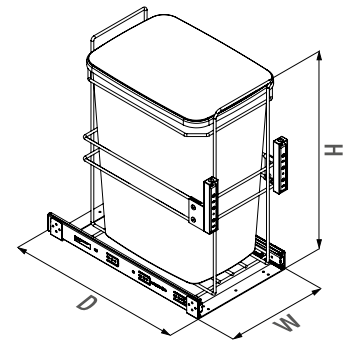
Sliding Waste Bin (35 Lts) Papelerera Deslizante (35 Lts)

Color Options
Opciones de color

S-XXXX-G
GREY

S-XXXX-A
ANTHRACITE

Product Code	W x D x H (inch)	C (inch)	Lt.	Box	Volume (in ³)	Weight lbs.
S-2590-	10 3/8 x 18 1/4 x 20 5/8	11 3/4	35	1	4271,66	11,03



Soft Close Waste Container 35 liter with Door Attachment
Papelera de cierre suave de 35 litros con accesorio de fijación para puerta

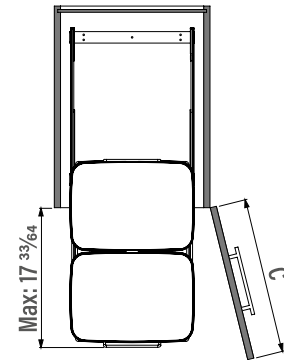
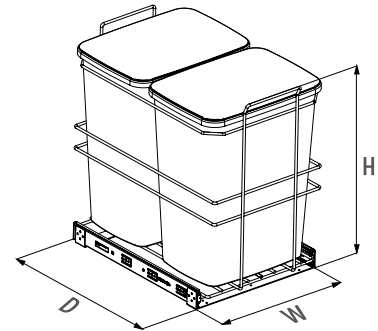
Color Options
Opciones de color

S-XXXX-G
GREY

S-XXXX-A
ANTHRACITE

Product Code	W x D x H (inch)	C (inch)	Lt.	Box	Volume (in ³)	Weight lbs.
S-2591-	10 3/8 x 18 3/4 x 20 5/8	11 3/4	35	1	4271,66	11,91

KITCHEN ACCESSORIES



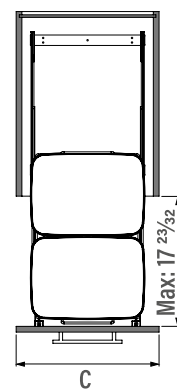
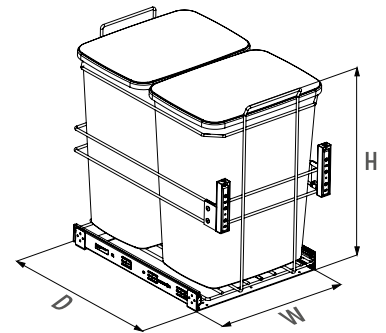
Sliding Soft Close Double Waste Bin (35+35 Lt) Papelera Doble Deslizante Cierre Suave (35+35 lt)

Color Options
Opciones de color

S-XXXX-G
GREY

S-XXXX-A
ANTHRACITE

Product Code	W x D x H (inch)	C (inch)	Lt.	Box	Volume (in ³)	Weight lbs.
S-2592-	14 1/8 x 21 3/8 x 20 3/8	15 3/4	35+35	1	6773,64	13,45



Sliding Soft Close Double Waste Bin (35+35 lt) with Door Attachment

Papelera Doble Deslizante Cierre Suave (35+35 lt) con accesorio de fijación para puerta

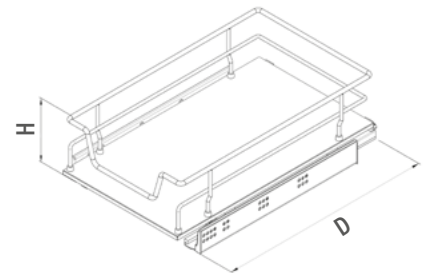
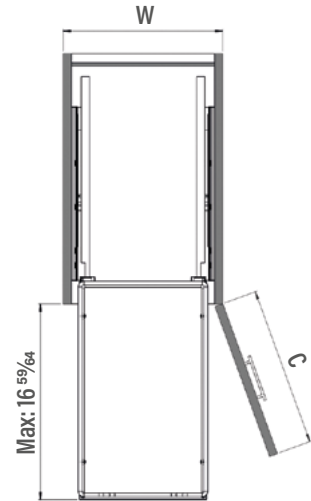
Color Options
Opciones de color

S-XXXX-G
GREY

S-XXXX-A
ANTHRACITE

Product Code	W x D x H (inch)	C (inch)	Lt.	Box	Volume (in ³)	Weight lbs.
S-2593-	14 1/8 x 21 5/8 x 20 5/8	15 3/4	35+35	1	6773,64	14,33

KITCHEN ACCESSORIES



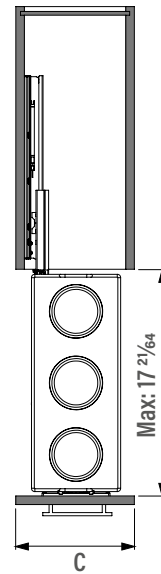
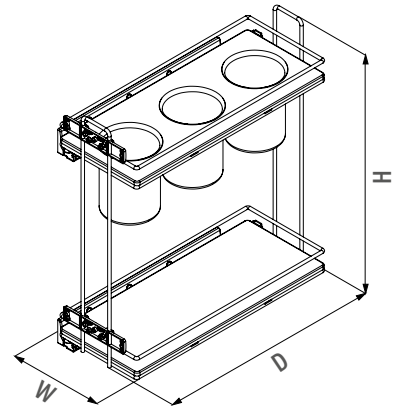
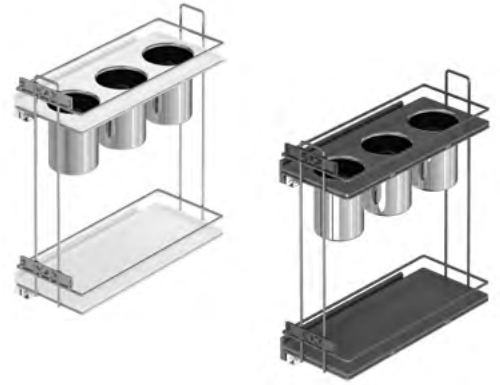
Full-Extension Independent Drawer Cajón independiente de extensión completa

Color Options
Opciones de color

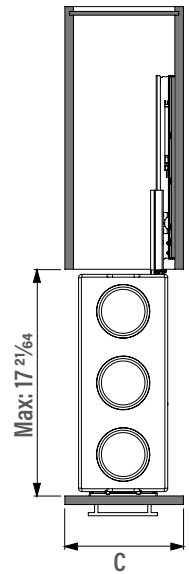
S-XXXX-C
CHROME

S-XXXX-A
ANTHRACITE

Product Code	W x D x H (inch)	C (inch)	Box	Volume (in ³)	Weight lbs.
S-2611-	12 ¼ - 13 x 19 ¼ x 6 ¼	13 ¾	1	1159,45	8,82
S-2612-	14 ½ - 15 x 19 ¼ x 6 ¼	15 ¾	1	1342,52	9,26
S-2613-	16 ½ - 16 ¾ x 19 ¼ x 6 ¼	17 ¾	1	1525,59	9,59
S-2615-	20 ½ - 20 ¾ x 19 ¼ x 6 ¼	21 ½	1	1891,74	10,47
S-2616-	22 - 22 ¾ x 19 ¼ x 6 ¼	23 ½	1	2074,81	10,91
S-2617-	26 - 26 ¾ x 19 ¼ x 6 ¼	27 ½	1	2257,88	12,57
S-2618-	29 ¾ - 30 ¾ x 19 ¼ x 6 ¼	31 ½	1	2624,02	13,67
S-2619-	33 ¾ - 34 ¾ x 19 ¼ x 6 ¼	35 ¾	1	2990,16	14,77



Direction:
Left - Izquierda



Direction:
Right - Derecho



Side and Bottom Mount Base Utensil Organizer Pullout
Organizador utensilios de montaje lateral e inferior para gabinete de base

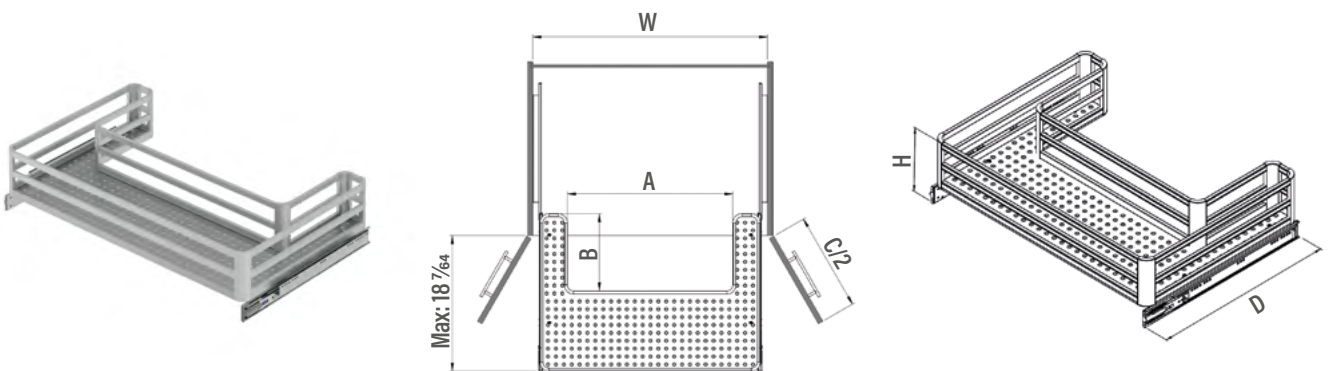
Color Options
Opciones de color

S-XXXX-C
CHROME

S-XXXX-A
ANTHRACITE

Product Code	W x D x H (inch)	C (inch)	Direction	Box	Volume (in ³)	Weight lbs.
S-2651-	13 3/8 x 19 1/4 x 2 1/8	9 7/8	Left - Izquierda	1	2440,95	14,33
S-2652-	13 3/8 x 19 1/4 x 2 1/8	9 7/8	Right - Derecho	1	2440,95	14,33

KITCHEN ACCESSORIES

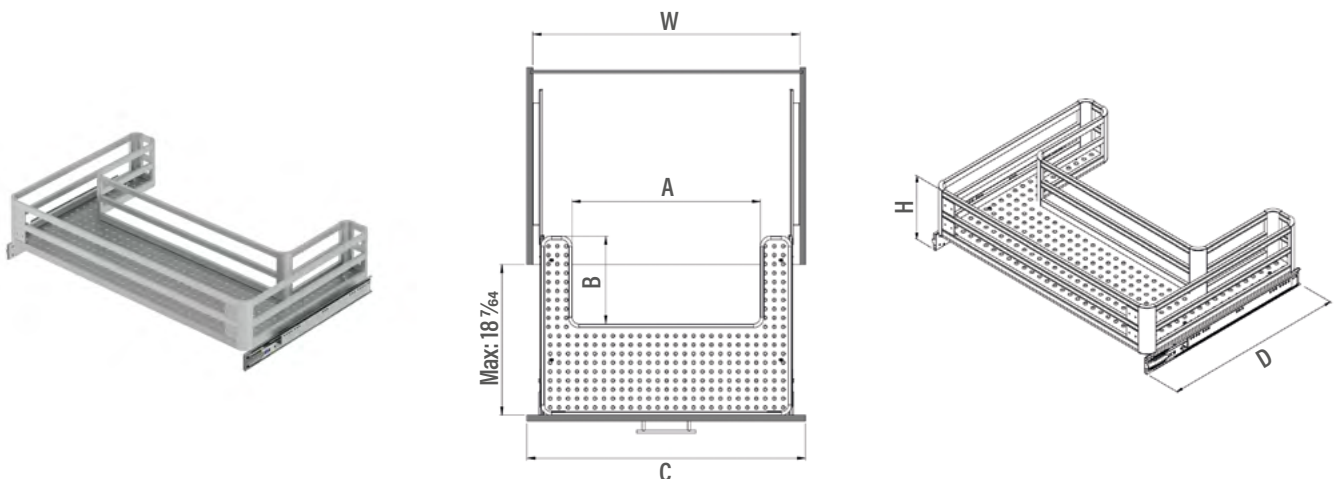


U-Shaped Soft Close Undersink Organizer Organizador para debajo del fregadero con cierre suave en forma de U

Color Options
Opciones de color

S-XXXX-G
GREY

Product Code	W x D x H (inch)	A	B	C (inch)	Box	Volume (in ³)	Weight lbs.
S-2741-	30 1/8 x 19 3/4 x 5 7/8	20 7/8	12 1/4	31 1/2	1	3966,54	12,61
S-2742-	34 x 19 3/4 x 5 7/8	20 7/8	12 1/4	35 3/8	1	4454,73	13,49



U-Shaped Soft Close Under-sink Organizer with Door Attachment

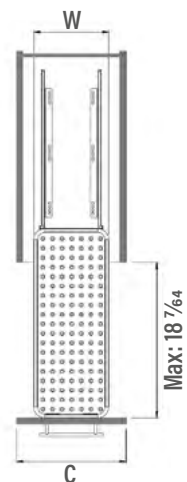
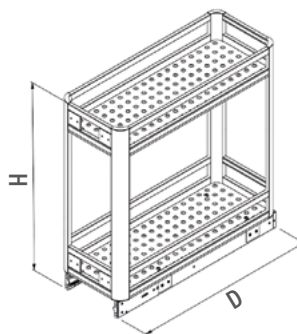
Organizador para debajo del fregadero en forma de U con cierre suave y accesorio de fijación para puertas

Color Options
Opciones de color

S-XXXX-G
GREY

Product Code	W x D x H (inch)	A	B	C (inch)	Box	Volume (in ³)	Weight lbs.
S-2751-	30 1/8 x 19 3/4 x 5 7/8	20 7/8	12 1/4	31 1/2	1	3966,54	12,79
S-2752-	34 x 19 3/4 x 5 7/8	20 7/8	12 1/4	35 3/8	1	4454,73	13,89

KITCHEN ACCESSORIES

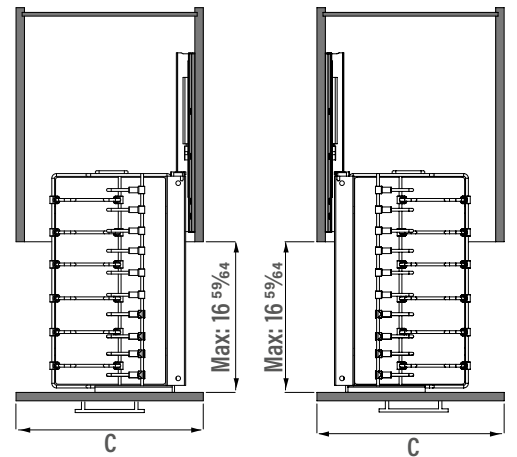
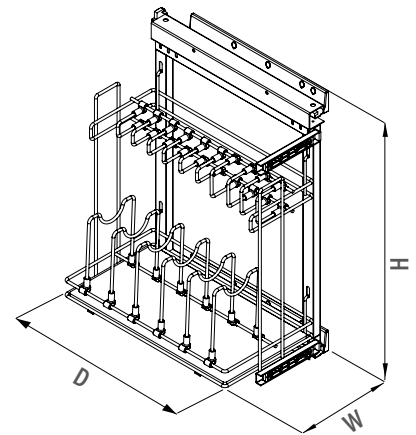
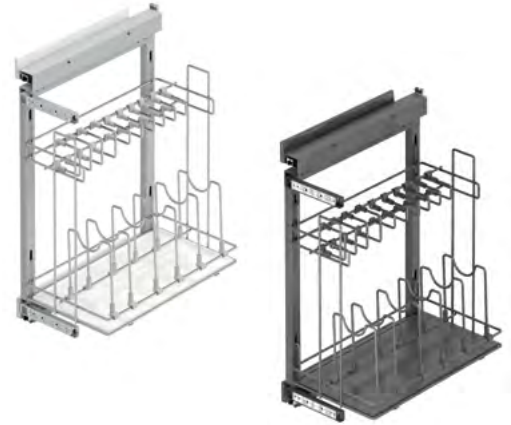


Solid Bottom Soft Close Cleaning Supplies Organizer with Door Attachment
 Organizador de suministros de limpieza de cierre suave de fondo sólido con accesorio para puerta

Color Options
 Opciones de color

S-XXXX-G
 GREY

Product Code	W x D x H (inch)	C (inch)	Box	Volume (in ³)	Weight lbs.
S-2802-	5 7/8 x 19 3/4 x 20 1/2	7 7/8	1	2624,02	10,80
S-2803-	7 7/8 x 19 3/4 x 20 1/2	9 7/8	1	3478,35	11,77



Direction:
Left - Izquierda

Direction:
Right - Derecho



Cookware Organizer with Door Attachment
Organizador de utensilios de cocina con accesorio de fijación para puerta

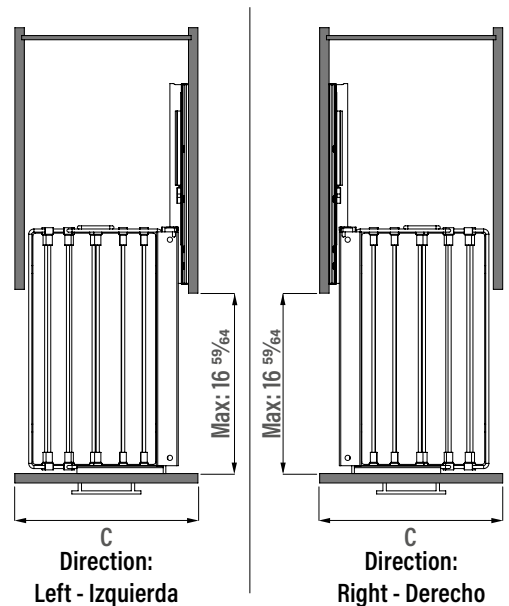
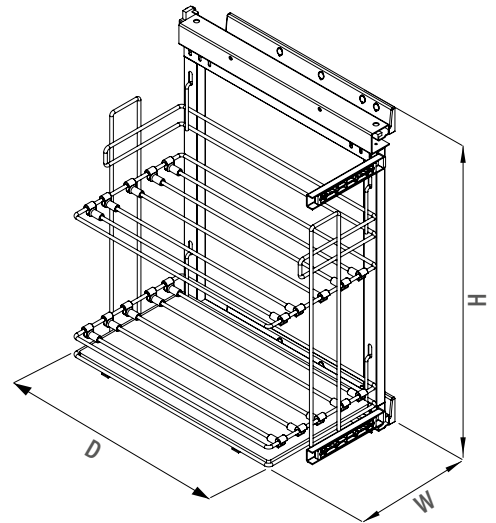
Color Options
Opciones de color

S-XXXX-C
CHROME

S-XXXX-A
ANTHRACITE

Product Code	W x D x H (inch)	C (inch)	Direction	Box	Volume (in ³)	Weight lbs.
S-2880-	12 ¼ x 18 ¾ x 25 ¼	17 ¾	Left - Izquierda	1	5614,18	22,81
S-2881-	12 ¼ x 18 ¾ x 25 ¼	17 ¾	Right - Derecho	1	5614,18	22,81

KITCHEN ACCESSORIES



Sliding Tray Organizer with Door Attachment

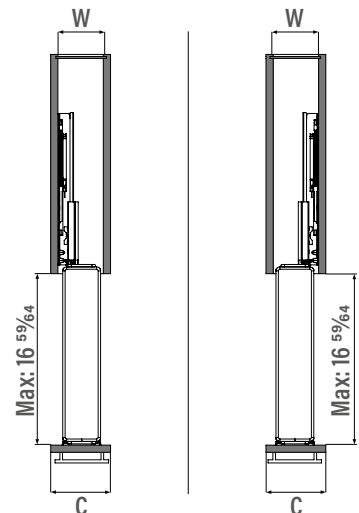
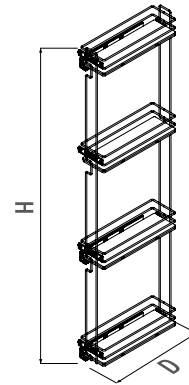
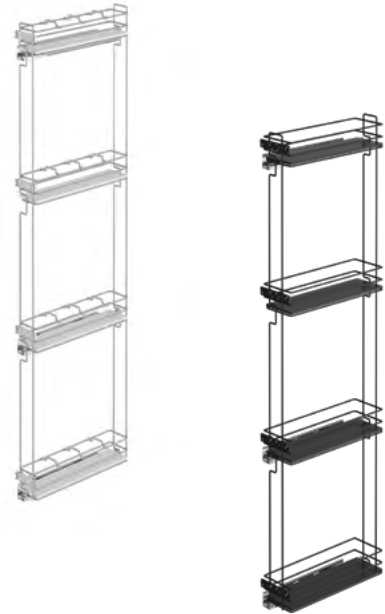
Organizador de bandeja deslizante con accesorio de fijación para puerta

Color Options
Opciones de color

S-XXXX-C
CHROME

S-XXXX-A
ANTHRACITE

Product Code	W x D x H (inch)	C (inch)	Direction	Box	Volume (in ³)	Weight lbs.
S-2898-	8 1/2 x 18 3/4 x 25 1/4	9 7/8	Left - Izquierda	1	3844,50	20,29
S-2899-	8 1/2 x 18 3/4 x 25 1/4	9 7/8	Right - Derecho	1	3844,50	20,29
S-2894-	10 1/4 x 18 3/4 x 25 1/4	11 3/4	Left - Izquierda	1	4759,85	21,39
S-2895-	10 1/4 x 18 3/4 x 25 1/4	11 3/4	Right - Derecho	1	4759,85	21,39



Direction:
Left - Izquierda

Direction:
Right - Derecho



Soft Closing Solid Bottom Bottle Holder with Full Extension Undermount Rail
 Portabotellas de fondo sólido con cierre suave y riel inferior de extensión completa

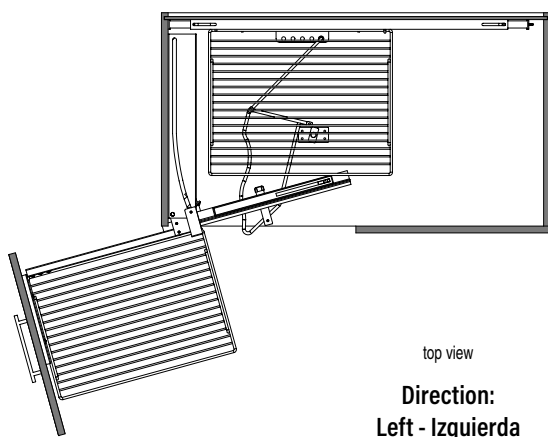
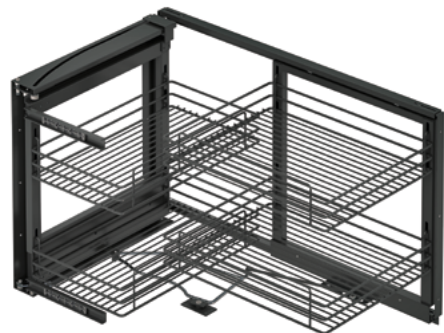
Color Options
Opciones de color

S-XXXX-C
CHROME

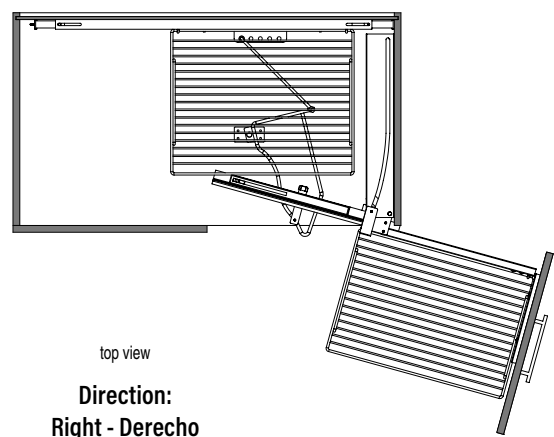
S-XXXX-A
ANTHRACITE

Product Code	W x D x H (inch)	C (inch)	Direction	Box	Volume (in ³)	Weight lbs.
S-2918-	4 ¼ x 18 ⅝ x 64 ⅝ ₆₄	5 ⅞	Right - Derecho	1	5003,95	18,30
S-2919-	4 ¼ x 18 ⅝ x 64 ⅝ ₆₄	5 ⅞	Left - Izquierda	1	5003,95	18,30
S-2928-	6 ⅞ ₃₂ x 18 ⅝ ₁₆ x 64 ⅝ ₆₄	7 ⅞	Right - Derecho	1	7688,99	22,05

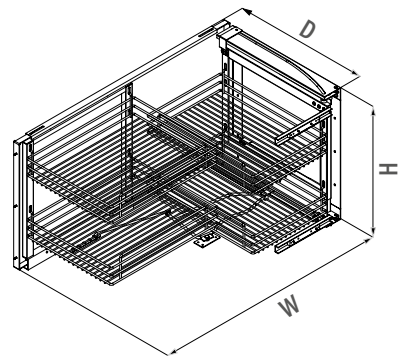
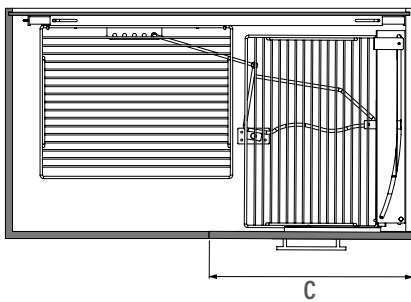
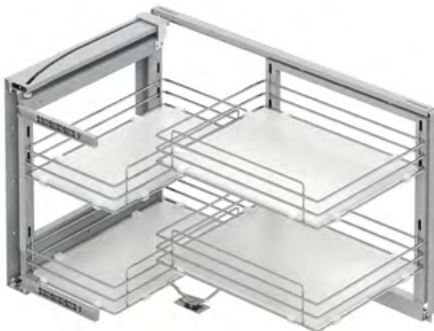
KITCHEN ACCESSORIES



top view
Direction:
Left - Izquierda



top view
Direction:
Right - Derecho



Wire Blind Corner Optimizer with Door Attachment
Optimizador de esquinas ciegas de alambre con accesorio de fijación para puerta

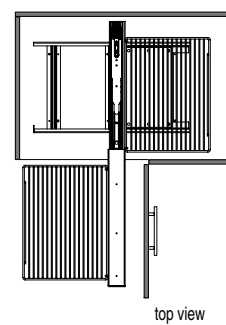
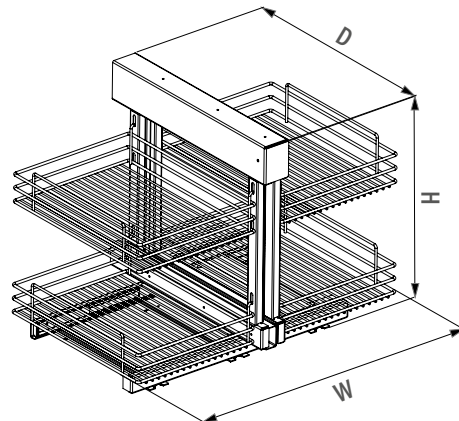
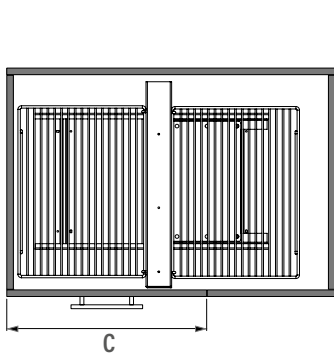
Color Options
Opciones de color

S-XXXX-C
CHROME

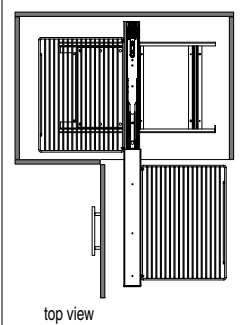
S-XXXX-A
ANTHRACITE

Product Code		Direction	W x D x H (inch)	C (inch)	Box	Volume (in ³)	Weight lbs.	
Wire Bottom	Solid Bottom						Wire	Solid
S-3001-	S-3003-	Left - Izquierda	33 7/8 - 38 x 20 7/8 x 20 7/8	17 3/4	1	8055,13	50,72	53,80
S-3002-	S-3004-	Right - Derecho	33 7/8 - 38 x 20 7/8 x 20 7/8	17 3/4	1	8055,13	50,72	53,80
S-3071-	S-3073-	Left - Izquierda	33 7/8 - 38 x 20 7/8 x 20 7/8	19 3/4	1	8055,13	51,60	54,24
S-3072-	S-3074-	Right - Derecho	33 7/8 - 38 x 20 7/8 x 20 7/8	19 3/4	1	8055,13	51,60	54,24

KITCHEN ACCESSORIES



Direction:
Left - Izquierda



Direction:
Right - Derecho



Wire Bottom Two-Tier Blind Corner Optimizer
 Optimizador de esquinas ciegas de dos niveles con parte inferior de alambre

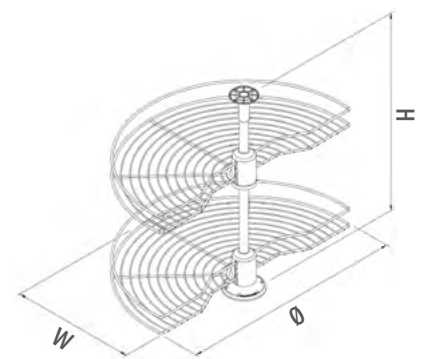
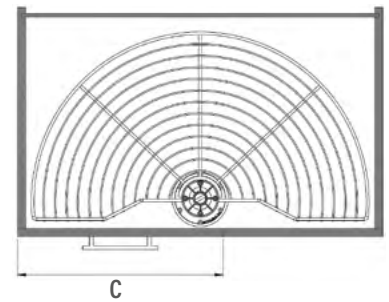
Color Options
Opciones de color

S-XXXX-C
CHROME

S-XXXX-A
ANTHRACITE

Product Code		W x D x H (inch)	C (inch)	Box	Volume (in ³)	Weight lbs.	
Wire Bottom	Solid Bottom					Wire	Solid
S-3005-	S-3065-	23 5/8 x 20 1/8 x 22	15 3/4	1	6407,49	57,15	59,98
S-3007-	S-3067-	25 1/4 x 20 1/8 x 22	17 3/4	1	6407,49	58,94	61,74
S-3009-	S-3069-	27 1/2 x 20 1/8 x 22	19 3/4	1	6407,49	58,94	61,74

KITCHEN ACCESSORIES



Wire Half Moon Shelf Set

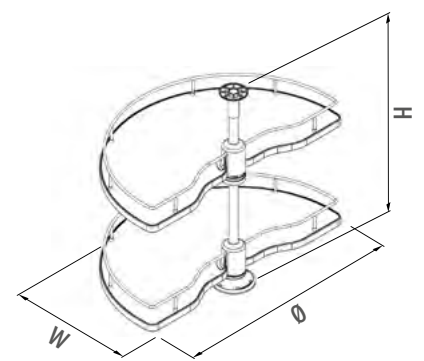
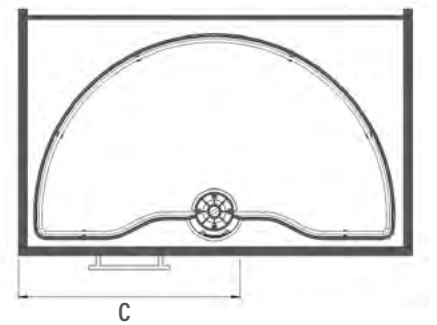
Juego de estantes de media luna con fondo de alambre

Color Options
Opciones de color

S-XXXX-C
CHROME

S-XXXX-A
ANTHRACITE

Product Code	Ø x H (inch)	C (inch)	Box	Volume (in ³)	Weight lbs.
S-3011-	Ø29 1/8 x 16 1/2 x 25 5/8 - 27 1/2	17 3/4	1	3112,21	10,47



Solid Bottom Half Moon Shelf Set
Juego de estantes de media luna con fondo sólido

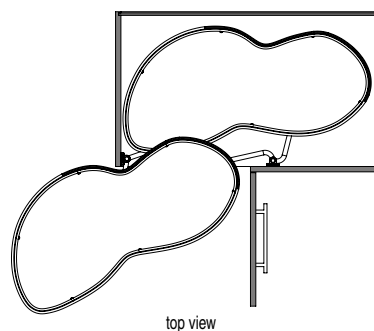
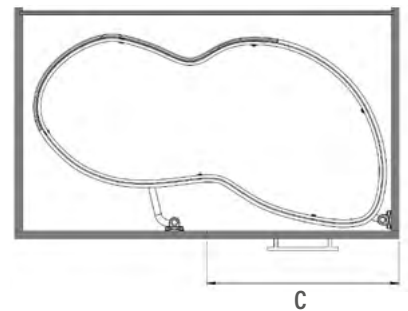
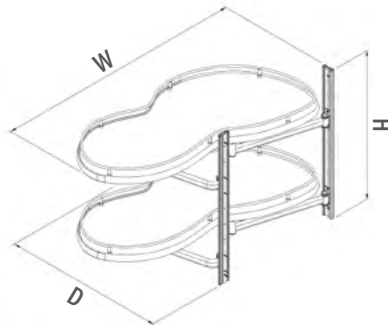
Color Options
 Opciones de color

S-XXXX-C
 CHROME

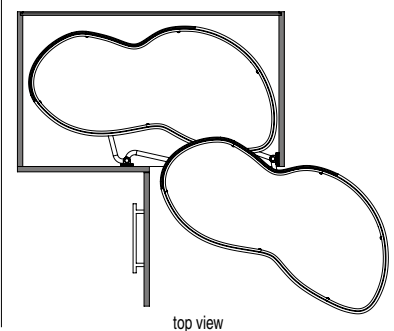
S-XXXX-A
 ANTHRACITE

Product Code	Ø x H (inch)	C (inch)	Box	Volume (in ³)	Weight lbs.
S-3012-	Ø29 1/8 x 16 1/2 x 25 5/8 - 27 1/2	17 3/4	1	3112,21	22,60

KITCHEN ACCESSORIES



top view
Direction:
Left - Izquierda



top view
Direction:
Right - Derecho



Solid Bottom Blind Corner Optimizer
Optimizador de esquinas ciegas de fondo sólido

Color Options
 Opciones de color

S-XXXX-C
 CHROME

S-XXXX-A
 ANTHRACITE

Product Code	W x D x H (inch)	C (inch)	Direction	Box	Volume (in ³)	Weight lbs.
S-3013-	33 ½ x 18 ¾ x 23 ½	17 ¾	Left - Izquierda	1	3600,40	26,24
S-3014-	33 ½ x 18 ¾ x 23 ½	17 ¾	Right - Derecho	1	3600,40	26,24
S-3113-	33 ½ x 19 ¼ x 23 ½	19 ¾	Left - Izquierda	1	3600,40	27,34

Anti-Slip Half Moon Shelf Set
Juego de estantes antideslizantes de media luna

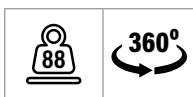
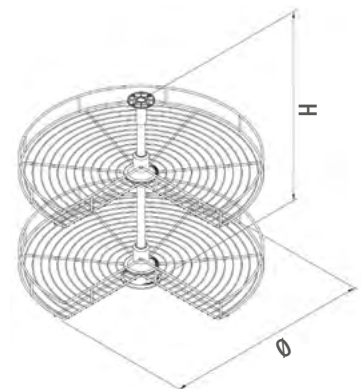
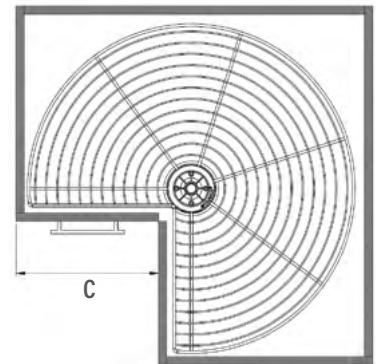
Color Options
 Opciones de color

S-XXXX-C
 CHROME

S-XXXX-A
 ANTHRACITE

Product Code	W x D x H (inch)	C (inch)	Direction	Box	Volume (in ³)	Weight lbs.
S-3015-	31 ½ x 18 ¾ x 23 5/8	17 ¾	Left - Izquierda	1	3600,40	26,46
S-3016-	31 ½ x 18 ¾ x 23 5/8	17 ¾	Right - Derecho	1	3600,40	26,46
S-3115-	33 ½ x 19 ¼ x 23 5/8	19 ¾	Left - Izquierda	1	3600,40	27,56
S-3116-	33 ½ x 19 ¼ x 23 5/8	19 ¾	Right - Derecho	1	3600,40	27,56

KITCHEN ACCESSORIES



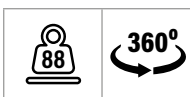
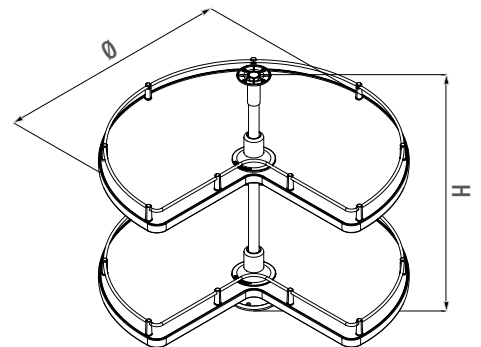
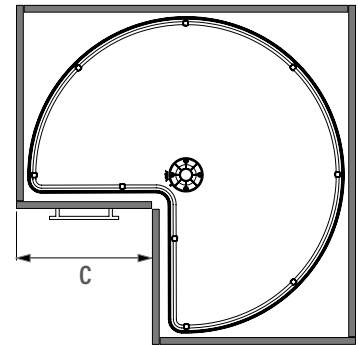
3/4 Lazy Susan Set Juego 3/4 Lazy Susan

Color Options
Opciones de color

S-XXXX-C
CHROME

S-XXXX-A
ANTHRACITE

Product Code	Ø x H (inch)	C (inch)	Box	Volume (in ³)	Weight lbs.
S-3020-	Ø23 5/8 x 25 5/8 - 27 1/2	11 + 11	1	3661,42	13,34
S-3021-	Ø29 1/8 x 25 5/8 - 27 1/2	12 5/8 + 12 5/8	1	5736,23	14,55
S-3022-	Ø32 5/8 x 25 5/8 - 27 1/2	14 1/8 + 14 1/8	1	6895,68	17,20



3/4 Lazy Susan Set
Juego 3/4 Lazy Susan

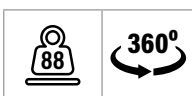
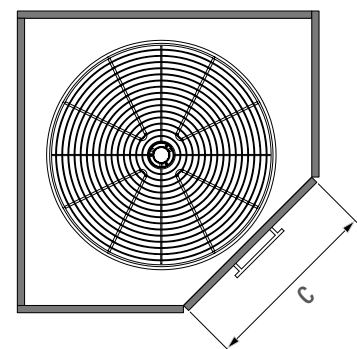
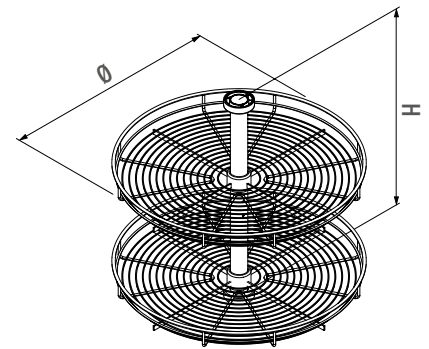
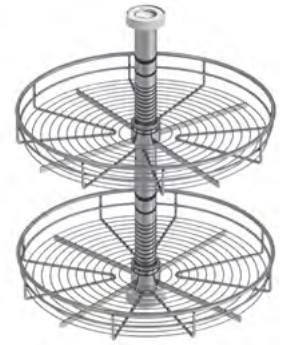
Color Options
 Opciones de color

S-XXXX-C
 CHROME

S-XXXX-A
 ANTHRACITE

Product Code	Ø x H (inch)	C (inch)	Box	Volume (in ³)	Weight lbs.
S-3023-	Ø23 5/8 x 25 5/8 - 27 1/2	11 + 11	1	4332,69	13,34
S-3024-	Ø29 1/8 x 25 5/8 - 27 1/2	12 5/8 + 12 5/8	1	5309,07	14,55
S-3025-	Ø32 5/8 x 25 5/8 - 27 1/2	14 1/8 + 14 1/8	1	6895,68	17,20

KITCHEN ACCESSORIES



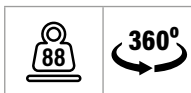
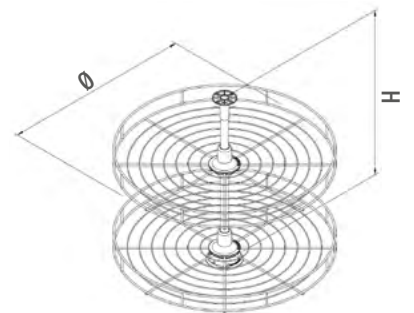
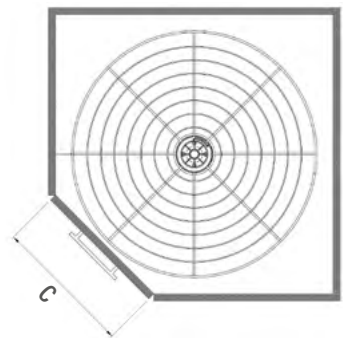
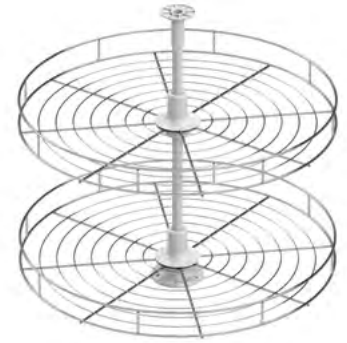
Lazy Susan Set Juego de dos estantes Lazy Susan

Color Options
Opciones de color

S-XXXX-C
CHROME

S-XXXX-A
ANTHRACITE

Product Code	Ø x H (inch)	C (inch)	Box	Volume (in ³)	Weight lbs.
S-3031-	Ø23 5/8 x 27 1/2	15 3/4	1	5736,23	21,72
S-3032-	Ø29 1/2 x 27 1/2	17 3/4	1	5736,23	26,35



Lazy Susan Set
Juego de dos estantes Lazy Susan

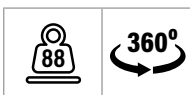
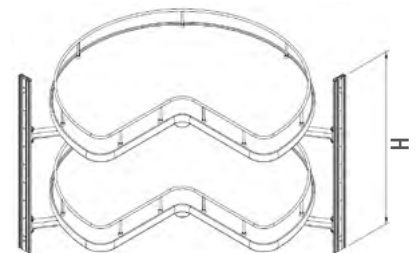
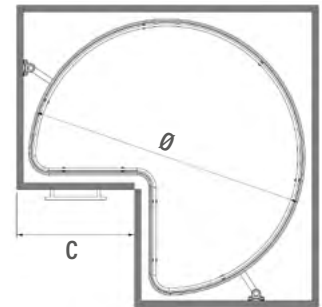
Color Options
 Opciones de color

S-XXXX-C
 CHROME

S-XXXX-A
 ANTHRACITE

Product Code	Ø x H (inch)	C (inch)	Box	Volume (in ³)	Weight lbs.
S-3033-	Ø23 5/8 x 27 1/2	15 3/4	1	3661,42	11,91

KITCHEN ACCESSORIES



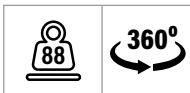
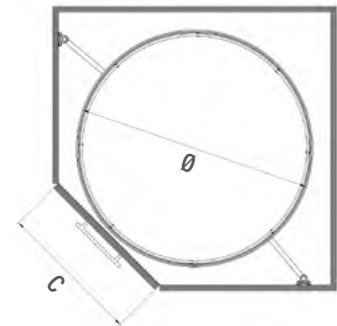
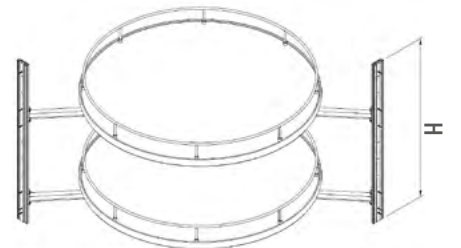
Independent 3/4 Lazy Susan Set Juego 3/4 Lazy Susan Independiente

Color Options
Opciones de color

S-XXXX-C
CHROME

S-XXXX-A
ANTHRACITE

Product Code	Ø x H (inch)	C (inch)	Box	Volume (in ³)	Weight lbs.
S-3051-	Ø29 1/2 x 23 5/8	12 5/8 + 12 5/8	1	6895,68	35,28



Independent Lazy Susan Set
Juego de dos estantes Independientes de Lazy

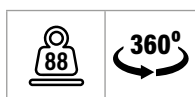
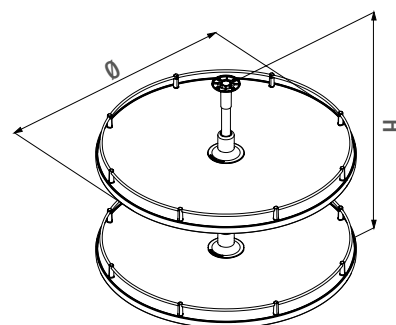
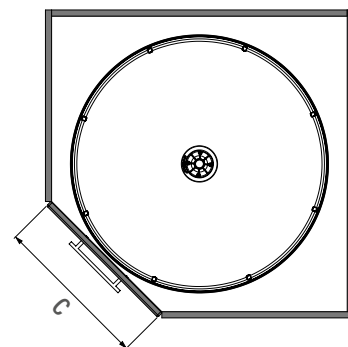
Color Options
 Opciones de color

S-XXXX-C
 CHROME

S-XXXX-A
 ANTHRACITE

Product Code	Ø x H (inch)	C (inch)	Box	Volume (in ³)	Weight lbs.
S-3053-	Ø29 ½ x 23 ¾	17 ¾	1	7322,85	39,69

KITCHEN ACCESSORIES



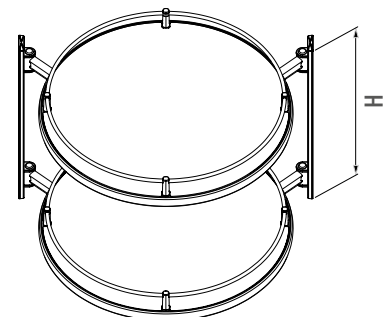
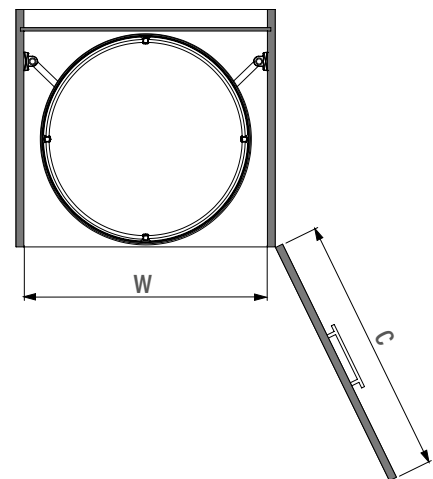
Lazy Susan Set with Solid Bottom Juego de Lazy Susan con fondo sólido

Color Options
Opciones de color

S-XXXX-C
CHROME

S-XXXX-A
ANTHRACITE

Product Code	Ø x H (inch)	C (inch)	Box	Volume (in ³)	Weight lbs.
S-3134-	Ø29 ½ x 25 ⅝ - 27 ½	17 ¾	1	5309,07	14,55



Mini Lazy Susan Set
Juego de Lazy Susan Mini

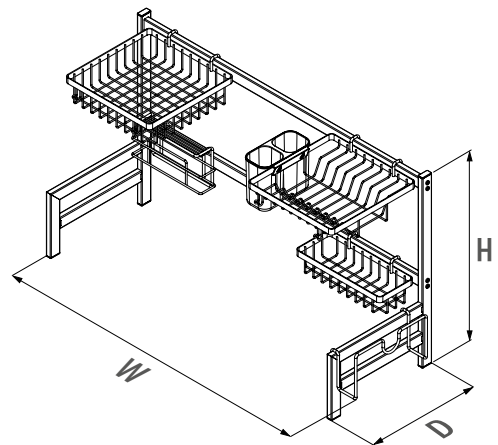
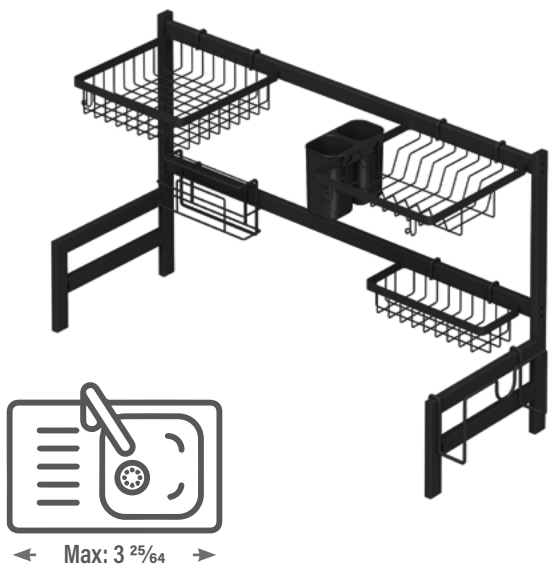
Color Options
 Opciones de color

S-XXXX-C
 CHROME

S-XXXX-A
 ANTHRACITE

Product Code	W x D x H (inch)	C (inch)	Box	Volume (in ³)	Weight lbs.
S-5110-	22 ¼ x 19 ¼ x 17 ½	23 ¾	1	3844,50	23,15

KITCHEN ACCESSORIES

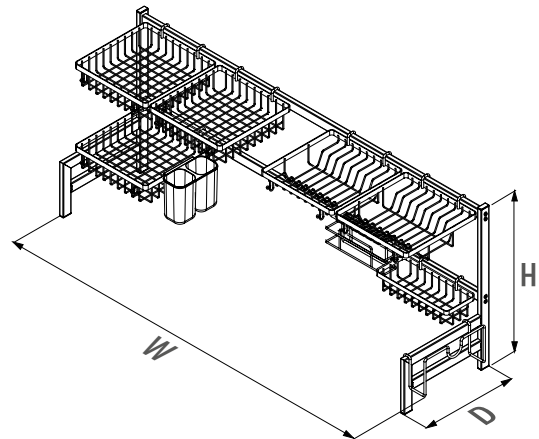
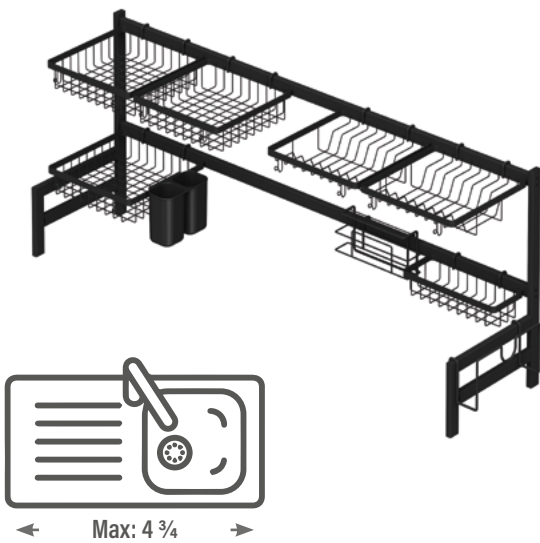


Over The Sink Dish Drying Rack
Estante para secar platos sobre el fregadero

Color Options
Opciones de color

S-XXXX-A
ANTHRACITE

Product Code	W x D x H (inch)	Box	Volume (in ³)	Weight lbs.
S-4151-	38 3/4 x 12 5/8 x 20 3/8	1	2318,90	13,34



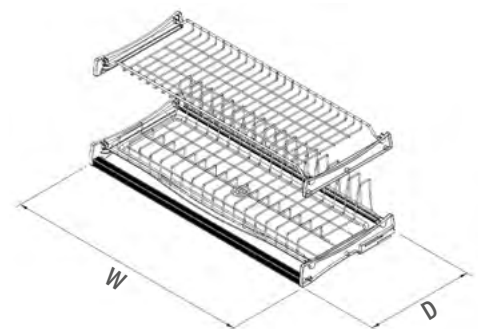
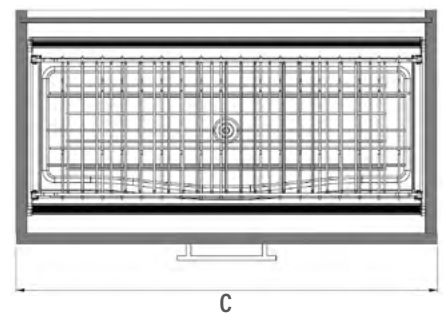
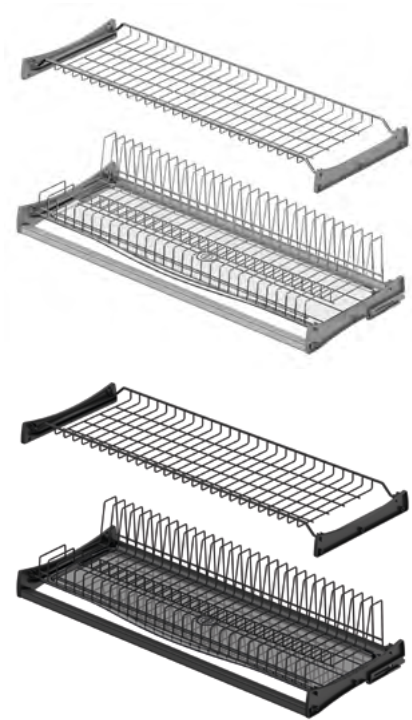
Over The Sink Dish Drying Rack
Estante para secar platos sobre el fregadero

Color Options
 Opciones de color

S-XXXX-A
 ANTHRACITE

Product Code	W x D x H (inch)	Box	Volume (in ³)	Weight lbs.
S-4152-	53 1/8 x 12 5/8 x 20 5/8	1	4637,80	19,18

KITCHEN ACCESSORIES



Dish Organizer Shelf with Plastic Tray and Aluminium Profile

Estante Organizador de Platos con Bandeja de Plástico y Perfil de Aluminio

Color Options
Opciones de color

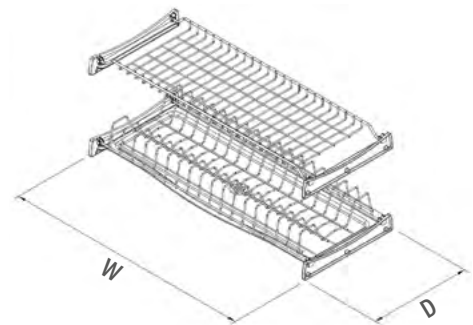
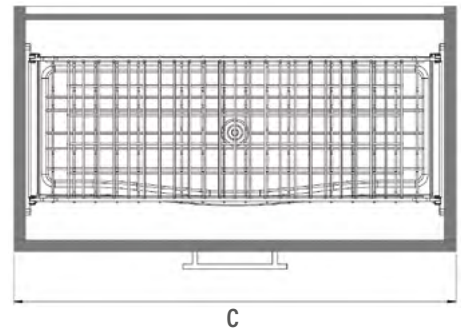
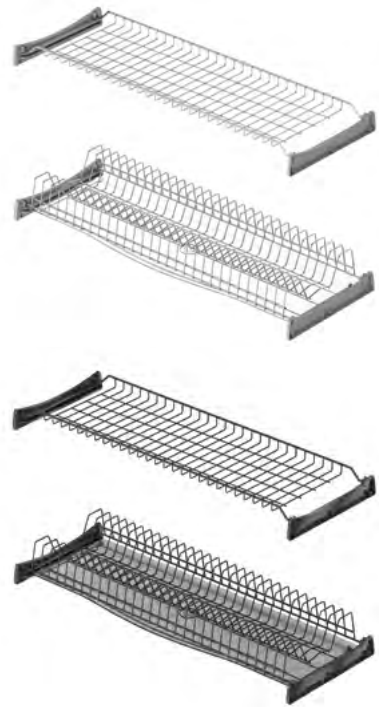
S-XXXX-C
CHROME

S-XXXX-A
ANTHRACITE

S-XXXX-CP
CHROME PAINT

S-XXXX-SS
STAINLESS STEEL

Product Code	W x D x H (inch)	C (inch)	Box	Volume (in ³)	Weight lbs.
S-5159-	22 x 11 5/8 - 13 5/8	23 5/8	1	1342,52	5,40
S-5160-	26 x 11 5/8 - 13 5/8	27 1/2	1	1586,62	6,28
S-5161-	29 7/8 x 11 5/8 - 13 5/8	31 1/2	1	1830,71	6,95
S-5162-	33 7/8 x 11 5/8 - 13 5/8	35 5/8	1	2074,81	7,72



Dish Organizer Shelf with Plastic Tray and Aluminum Profile

Estante Organizador de Platos con Bandeja de Plástico y Perfil de Aluminio

Color Options
Opciones de color

S-XXXX-C
CHROME

S-XXXX-A
ANTHRACITE

S-XXXX-CP
CHROME PAINT

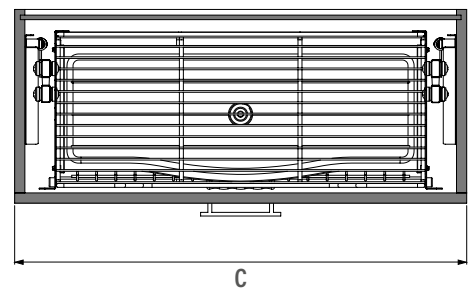
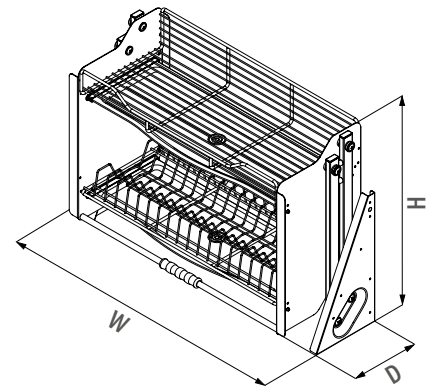
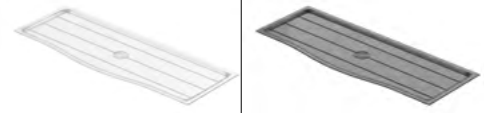
S-XXXX-SS
STAINLESS STEEL

Product Code	W x D x H (inch)	C (inch)	Box	Volume (in ³)	Weight lbs.
S-5163-	22 - 22 ½ x 10 ⅝	23 ⅝	1	1342,52	4,30
S-5164-	26 - 26 ⅝ x 10 ⅝	27 ½	1	1586,62	5,18
S-5165-	29 ⅝ - 30 ¼ x 10 ⅝	31 ½	1	1830,71	5,73
S-5166-	33 ⅝ - 34 ¼ x 10 ⅝	35 ⅝	1	2074,81	8,60

KITCHEN ACCESSORIES



Plastic Trays / Bandejas plásticas



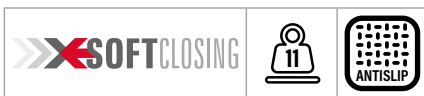
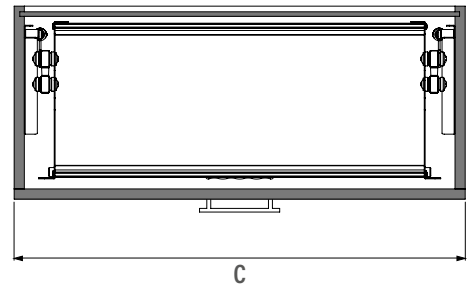
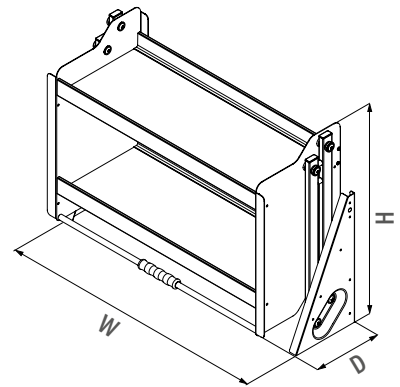
Pulldown Dish Organizer Shelf with Plastic Tray Estante organizador de platos desplegable con bandeja de plástico

Color Options
Opciones de color

S-XXXX-C
CHROME

S-XXXX-A
ANTHRACITE

Product Code	W x D x H (inch)	C (inch)	Box	Volume (in ³)	Weight lbs.
S-5181-	22 ¼ x 11 ¾ x 21 ½	23 ½	1	3173,23	20,95
S-5182-	30 ½ x 11 ¾ x 21 ½	31 ½	1	4393,71	22,05
S-5183-	34 x 11 ¾ x 21 ½	35 ½	1	5003,95	25,36



Pulldown Anti-Slip Dish Organizer Shelf
Estante organizador de platos desplegable antideslizante

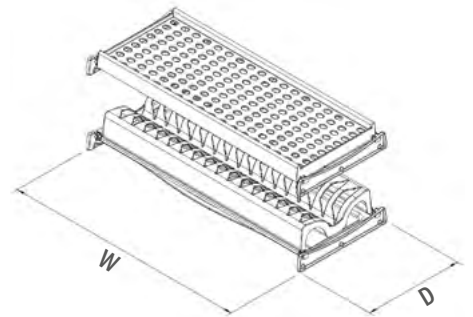
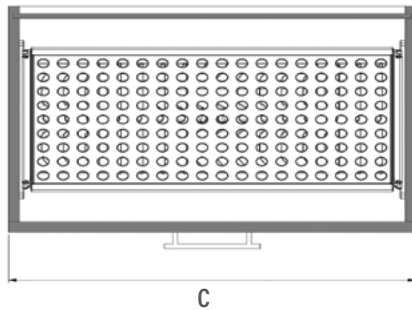
Color Options
Opciones de color

S-XXXX-G
GREY

S-XXXX-A
ANTHRACITE

Product Code	W x D x H (inch)	C (inch)	Box	Volume (in ³)	Weight lbs.
S-5191-	22 ¼ x 11 ¼ x 21 ½	23 ½	1	3173,23	20,95
S-5192-	30 ½ x 11 ¼ x 21 ½	31 ½	1	4393,71	22,05
S-5193-	34 x 11 ¼ x 21 ½	35 ½	1	5003,95	25,36

KITCHEN ACCESSORIES

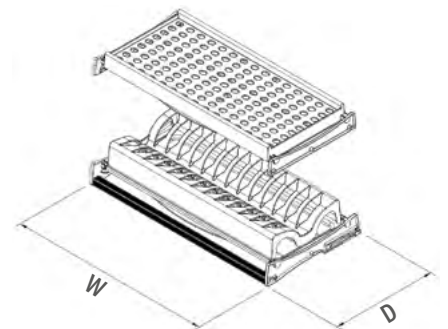
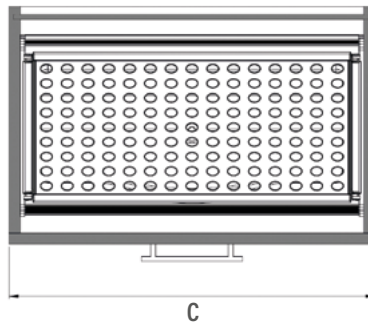


Glass and Dish Organizer Shelf with Tray
Estante organizador de vasos y platos con bandeja

Color Options
 Opciones de color

S-XXXX-T
 TRANSPARENT

Product Code	W x D x H (inch)	C (inch)	Box	Volume (in ³)	Weight lbs.
S-5231-	22 x 22 ½ - 10 ⅝	23 ⅝	1	1342,52	3,73



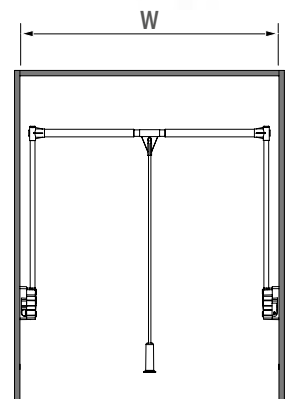
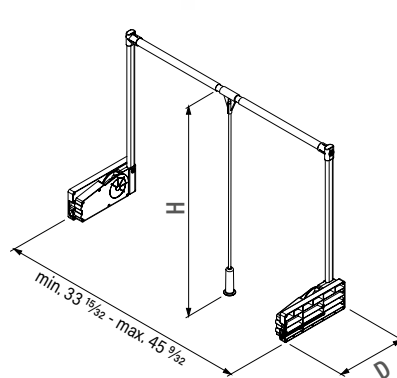
Dish Organizer Shelf with plastic Tray and Aluminium Profile
Estante Organizador de platos con bandeja de plástico y perfil de aluminio



Color Options
Opciones de color

S-XXXX-T
TRANSPARENT

Product Code	W x D x H (inch)	C (inch)	Box	Volume (in ³)	Weight lbs.
S-5236-	22 - 22 ½ x 10 ⅝ x 23 ⅝	23 ⅝	1	1342,52	4,45

CLOSET ACCESSORIES




Total Capacity
Capacidad total 

Pulldown Closet Rod 22.05 lbs (10 kg)
Barra de armario desplegable 22.05 lbs (10 kg)

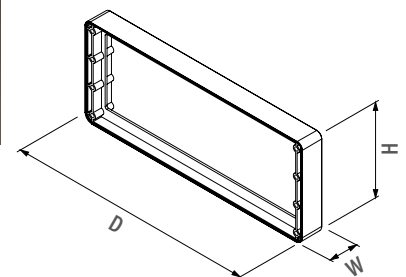
Color Options
 Opciones de color

S-XXXX-G
 GREY

S-XXXX-W
 WHITE

S-XXXX-A
 ANTHRACITE

Product Code	W x D x H (inch)	Box	Volume (in ³)	Weight lbs.
S-6013-	33 1/2 - 45 1/4 x 5 1/2 x 35 3/8	6	4698,83	45,69



Closet Rod Supporting Part 22.05 lbs (10 kgs)

Piezas de apoyo para barra de armario desplegable 22.05 lbs (10 kgs)

Color Options
Opciones de color

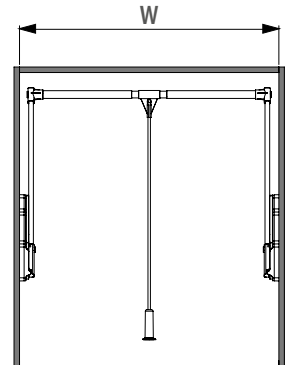
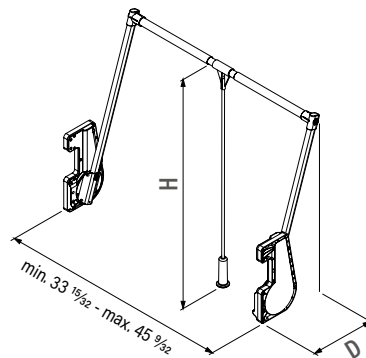
S-XXXX-G
GREY

S-XXXX-W
WHITE

S-XXXX-A
ANTHRACITE

Product Code	W x D x H (inch)	Box	Volume (in ³)	Weight lbs.
S-6018-	1 x 11 ¼ x 4 ½	20	61,02	0,21

CLOSET ACCESSORIES




Total Capacity
Capacidad total 

Pulldown Closet Rod 33.10 lbs (15 kgs)
Barra de armario desplegable 33.10 lbs (15 kgs)

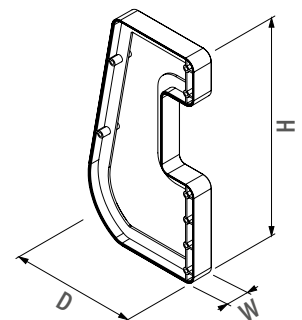
Color Options
Opciones de color

S-XXXX-G
GREY

S-XXXX-W
WHITE

S-XXXX-A
ANTHRACITE

Product Code	W x D x H (inch)	Box	Volume (in ³)	Weight lbs.
S-6014-	33 1/2- 45 1/4 x 5 7/8 x 35 3/8	6	4698,83	46,83



Closet Rod Supporting Part 33.10 lbs (15 kgs)

Piezas de apoyo para barra de armario desplegable 33.10 lbs (15 kgs)

Color Options
Opciones de color

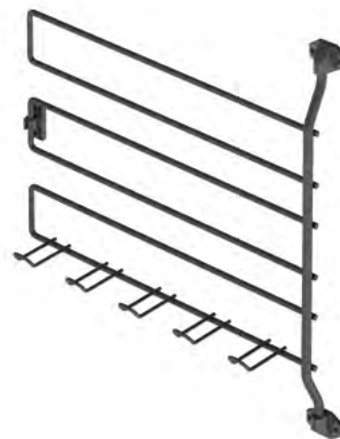
S-XXXX-G
GREY

S-XXXX-W
WHITE

S-XXXX-A
ANTHRACITE

Product Code	W x D x H (inch)	Box	Volume (in ³)	Weight lbs.
S-6019-	1 x 6 x 11 ½	20	61,02	0,24

CLOSET ACCESSORIES



Total Capacity
Capacidad total 

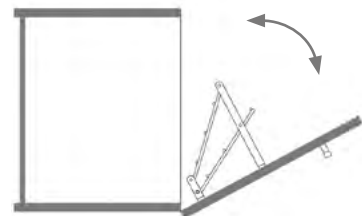
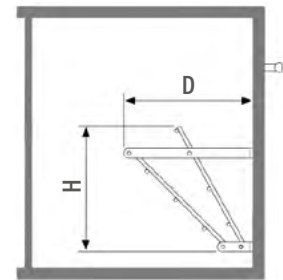
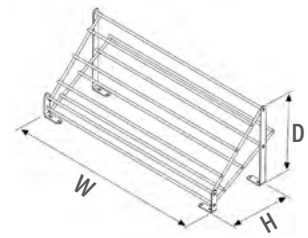
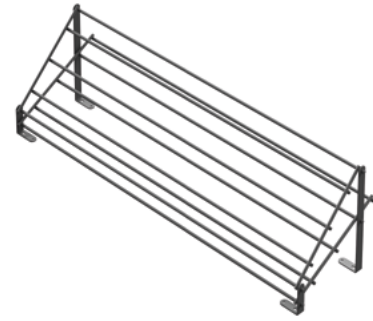
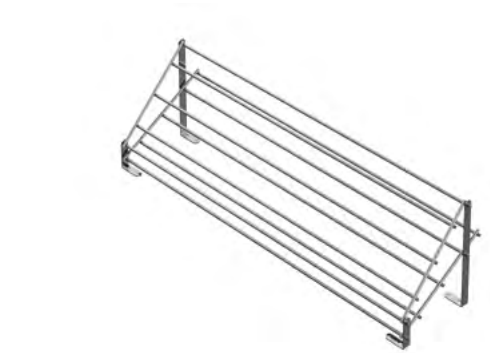
Tie & Belt Organizer With Hinge Organizador de corbatas y cinturones con bisagra

Color Options
Opciones de color

S-XXXX-C
CHROME

S-XXXX-A
ANTHRACITE

Product Code	W x D x H (inch)	Box	Volume (in ³)	Weight lbs.
S-6054-	13 3/4 x 2 x 13 3/4	10	6651,59	17,42



Two Shelves Shoe Organizer with Door Attachment
 Organizador de zapatos de dos estantes con accesorio de fijación para puerta

Color Options
Opciones de color



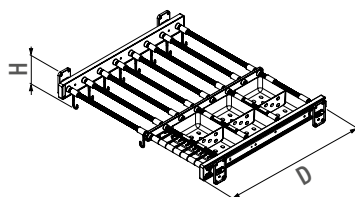
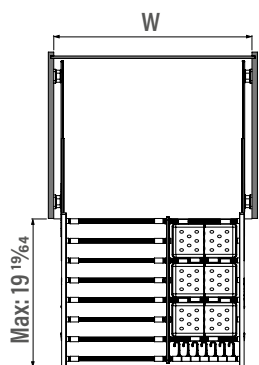
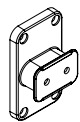
Product Code	W x D x H (inch)	C (inch)	Box	Volume (in ³)	Weight lbs.
S-6141-	20 7/8 x 9 x 8 5/8	23 5/8	10	1769,69	35,17
S-6142-	24 3/4 x 9 x 8 5/8	27 1/2	10	2074,81	40,24

CLOSET ACCESSORIES



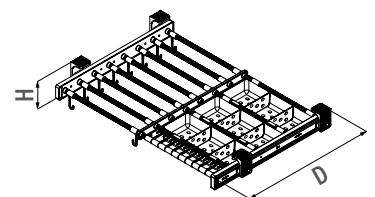
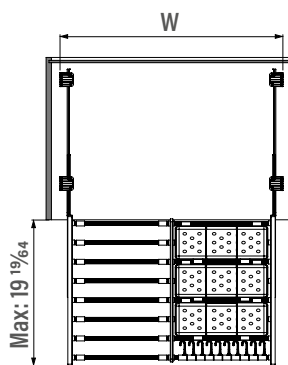
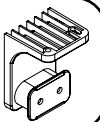
Side Mounting
Montaje lateral

Part for Side Mounting
Pieza para Montaje Lateral



Ceiling Mounting
Montaje en techo

Part for Ceiling Mounting
Pieza para montaje en techo





Total Capacity
Capacidad total

66

ANTISLIP

Sliding Skirt, Pant & Jewelry Organizer Combination
Organizador de falda, pantalón y organizador de joyas deslizante

Color Options
Opciones de color

S-XXXX-G
GREY

S-XXXX-A
ANTHRACITE

Product Code	W x D x H (inch)	C (inch)	Box	Volume (in ³)	Weight lbs.
S-6317-	25 3/4 - 26 5/8 x 20 1/8 x 4	27 1/2	1	2318.90	7.27
S-6318-	29 3/4 - 26 5/8 x 20 1/8 x 4	31 1/2	1	2685.04	8.26

CLOSET ACCESSORIES



Total Capacity
Capacidad total

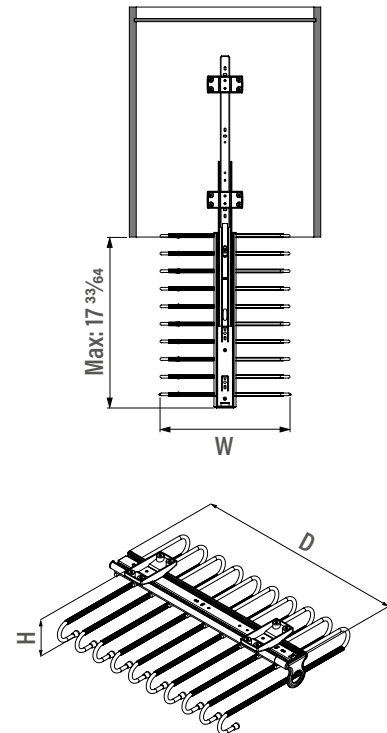
Sliding Tie Rack Organizer Organizador deslizante para corbatas

Color Options
Opciones de color

S-XXXX-G
GREY

S-XXXX-A
ANTHRACITE

Product Code	W x D x H (inch)	Box	Volume (in ³)	Weight lbs.
S-6542-	3 3/8 x 18 1/8 x 3 1/2	10	2868,12	22,82



Total Capacity
Capacidad total

33

ANTISLIP

Sliding Ceiling Mounted Pant Organizer
Organizador de pantalones corredizo con montaje en el techo

Color Options
Opciones de color


S-XXXX-G
GREY

S-XXXX-A
ANTHRACITE

Product Code	W x D x H (inch)	Box	Volume (in ³)	Weight lbs.
S-6545-	13 3/4 x 18 1/2 x 4 3/4	1	10862,23	7,32

CLOSET ACCESSORIES



Total Capacity
Capacidad total  

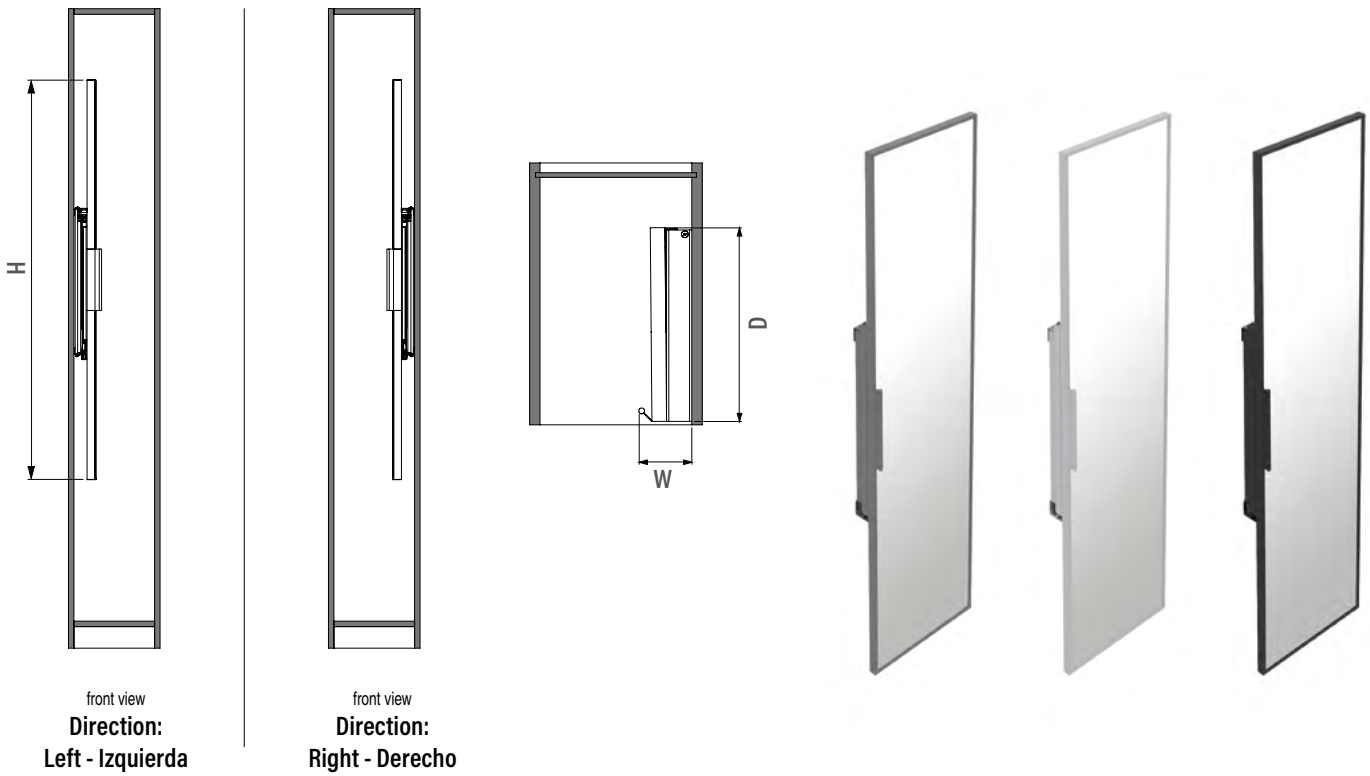
Sliding Side Mounted Pant & Tie Organizer Organizador para pantalones y corbatas deslizante de montaje lateral

Color Options
Opciones de color

S-XXXX-G
GREY

S-XXXX-A
ANTHRACITE

Product Code	W x D x H (inch)	Direction	Box	Volume (in ³)	Weight lbs.
S-6540-	8 ½ x 18 ½ x 3 ½	Left - Izquierda	10	9092,54	31,97
S-6550-	8 ½ x 18 ½ x 3 ½	Right - Derecho	10	9092,54	31,97



Swivel Mirror
Espejo giratorio

Color Options
Opciones de color

S-XXXX-G
GREY

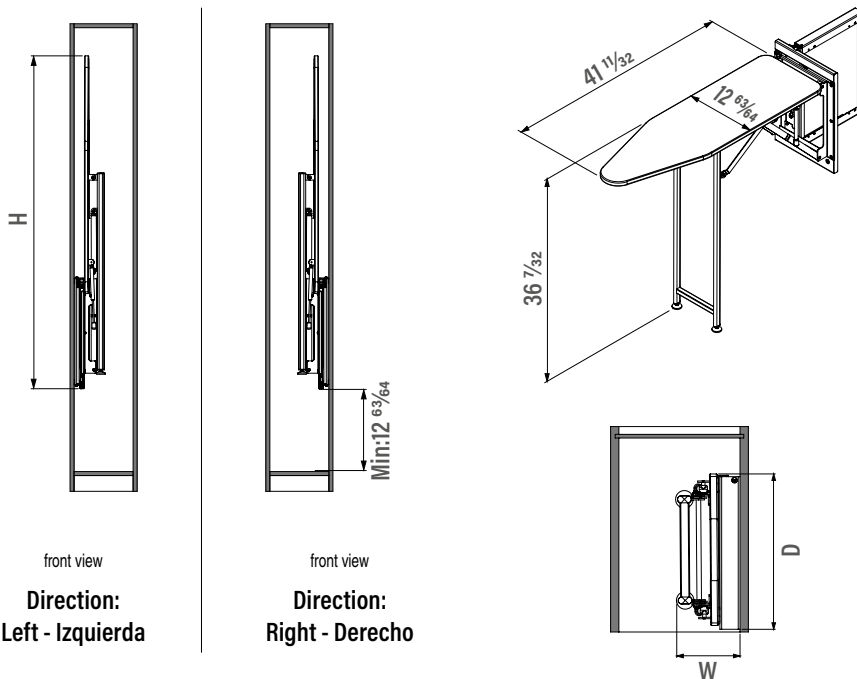
S-XXXX-W
WHITE

S-XXXX-A
ANTHRACITE

Product Code	W x D x H (inch)	C (inch)	Box	Volume (in ³)	Weight lbs.
S-6612-	4 ¾ x 13 ¾ x 51 ½	7 ½	1	3783,47	22,05

CLOSET ACCESSORIES





Swivel Ironing Board
Tabla de planchar giratoria

Color Options
 Opciones de color

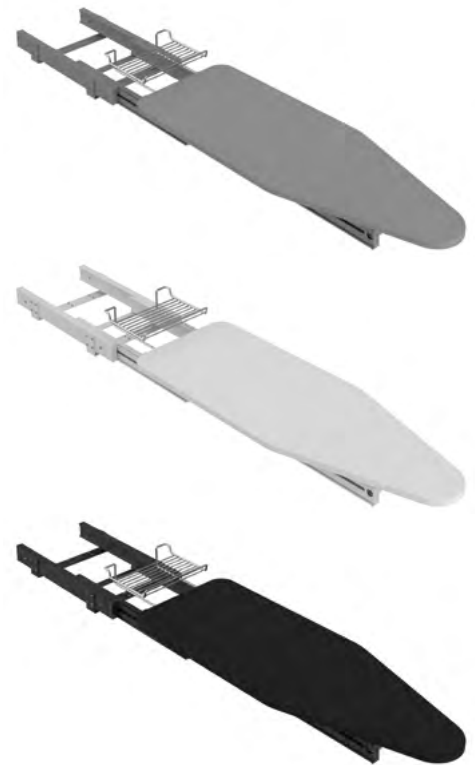
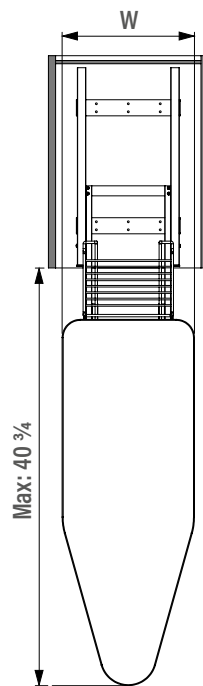
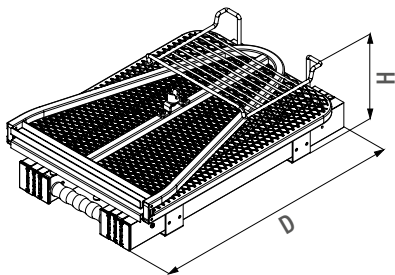
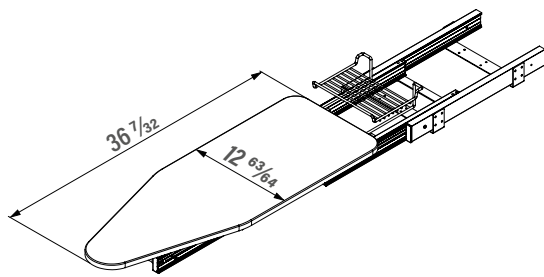
S-XXXX-G
 GREY

S-XXXX-W
 WHITE

S-XXXX-A
 ANTHRACITE

Product Code	W x D x H (inch)	C (inch)	Box	Volume (in ³)	Weight lbs.
S-6611-	5 7/8 x 13 3/8 x 58 1/4	7 7/8	1	4454.73	28.96

CLOSET ACCESSORIES



Foldable Ironing Board Tabla de planchar plegable

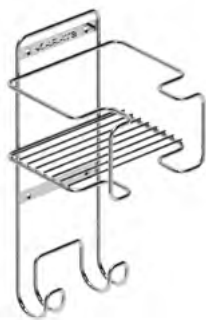
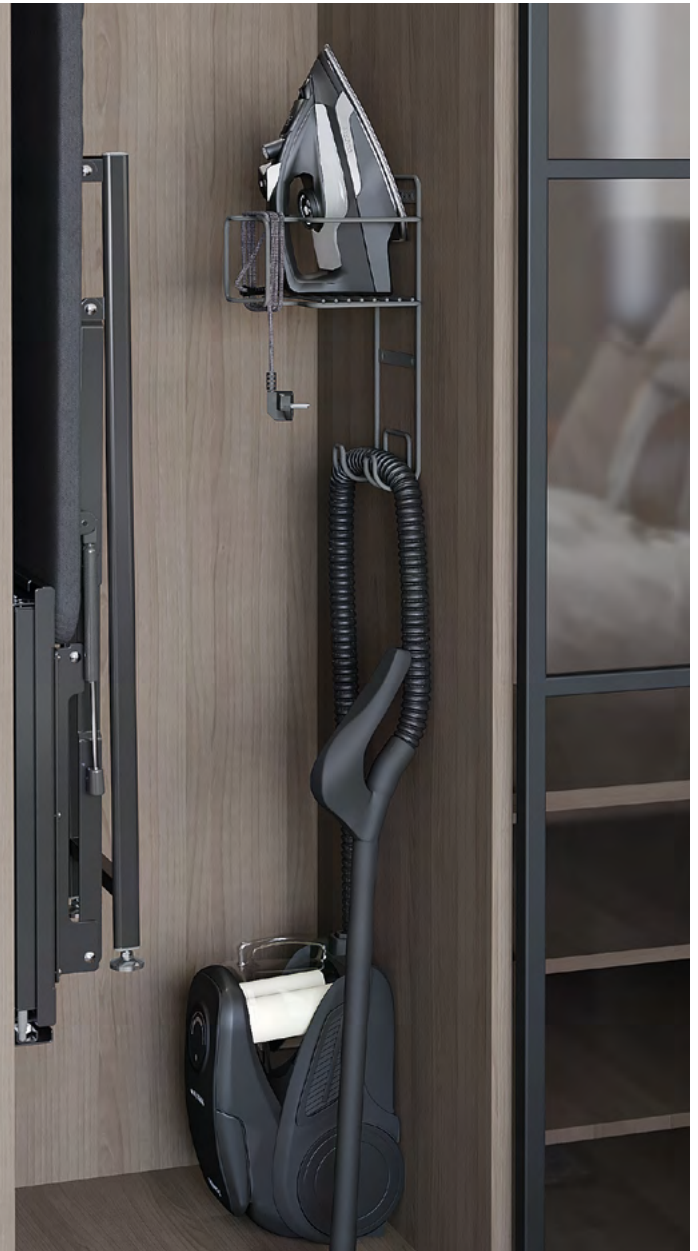
Color Options
Opciones de color

S-XXXX-G
GREY

S-XXXX-W
WHITE

S-XXXX-A
ANTHRACITE

Product Code	W x D x H (inch)	C (inch)	Box	Volume (in ³)	Weight lbs.
S-6616-	13 x 19 1/2 x 5 7/8	15 3/4	1	1525,59	17,75



Total Capacity
Capacidad total 

Wall Mount Iron Rack
Estante de hierro para montaje en pared

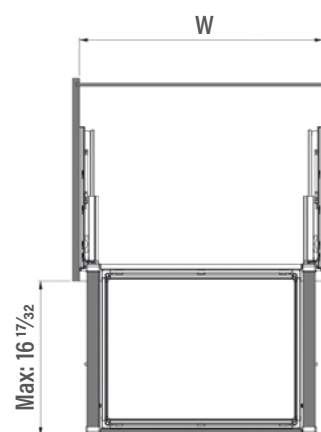
Color Options
Opciones de color

S-XXXX-C
CHROME

S-XXXX-A
ANTHRACITE

Product Code	W x D x H (inch)	Box	Volume (in ³)	Weight lbs.
S-6619-	7 7/8 x 7 7/8 x 15	1	915,36	2,54

CLOSET ACCESSORIES




SoftClosing
 Total Capacity
 Capacidad total 

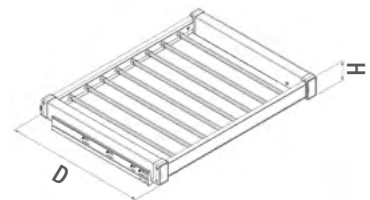
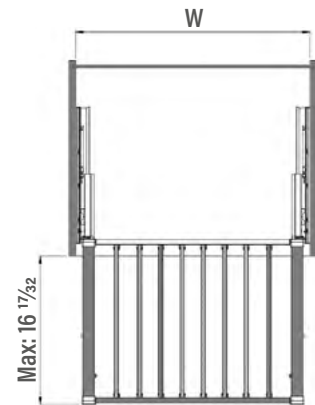
Soft Close Sliding Drawer Cajón deslizante de cierre suave





Color Options
Opciones de color

S-XXXX-W
WHITE

S-XXXX-A
ANTHRACITE

Product Code	W x D x H (inch)	C (inch)	Box	Volume (in ³)	Weight lbs.
S-6701-	22 - 23 1/4 x 18 3/4 x 5 7/8	23 5/8	1	2257.88	13.18
S-6702-	26 - 27 1/8 x 18 3/4 x 5 7/8	27 1/2	1	2746.07	14.46
S-6703-	29 7/8 - 31 1/8 x 18 3/4 x 5 7/8	31 1/2	1	3173.23	15.61
S-6704-	33 7/8 - 35 x 18 3/4 x 5 7/8	35 3/8	1	3600.40	16.91



Pant Organizer
Organizador de pantalones

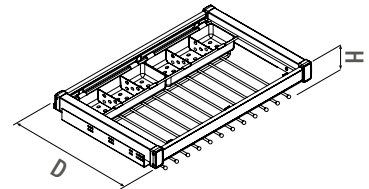
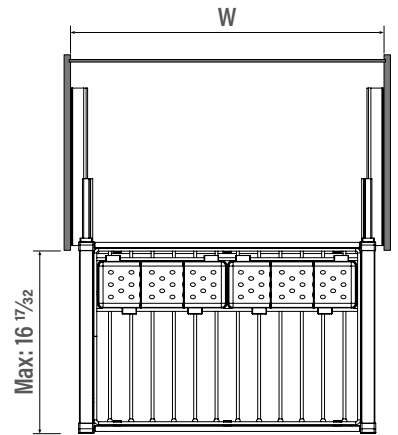
Color Options
Opciones de color

S-XXXX-W
WHITE

S-XXXX-A
ANTHRACITE

Product Code	W x D x H (inch)	C (inch)	Box	Volume (in ³)	Weight lbs.
S-6707-	22 - 23 ¼ x 18 ¾ x 2 ¾	23 ¾	1	1403,55	7,94
S-6708-	26 - 27 ½ x 18 ¾ x 2 ¾	27 ½	1	1586,62	8,36
S-6710-	33 ¾ - 35 x 18 ¾ x 2 ¾	35 ¾	1	2074,81	9,68

CLOSET ACCESSORIES



Total Capacity
Capacidad total

66

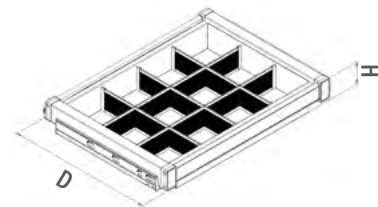
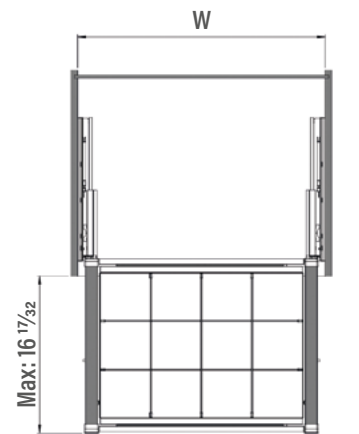
Soft Close Pant & Jewelry Organizer Combination Combinación de organizador de joyas y pantalones de cierre suave

Color Options
Opciones de color

S-XXXX-W
WHITE

S-XXXX-A
ANTHRACITE

Product Code	W x D x H (inch)	C (inch)	Box	Volume (in ³)	Weight lbs.
S-6711-	22 - 23 1/4 x 18 3/4 x 4 7/8	23 5/8	1	1403,55	11,97
S-6712-	26 - 27 1/8 x 18 3/4 x 4 7/8	27 1/2	1	1647,64	13,27
S-6713-	29 7/8 - 31 1/8 x 18 3/4 x 4 7/8	31 1/2	1	1952,76	14,58
S-6714-	33 7/8 - 35 x 18 3/4 x 4 7/8	35 3/8	1	2257,88	15,83








Soft Close Jewelry Organizer Drawer System
Sistema de cajón organizador de joyas de cierre suave

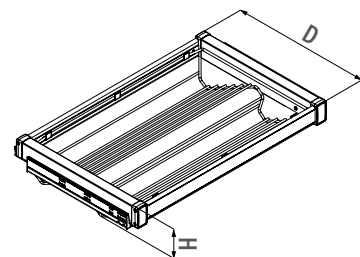
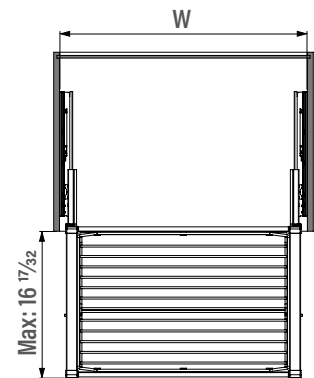
Color Options
 Opciones de color


S-XXXX-W
 WHITE


S-XXXX-A
 ANTHRACITE

Product Code	W x D x H (inch)	C (inch)	Box	Volume (in ³)	Weight lbs.
S-6715-	22 - 23 ¼ x 18 ¾ x 4	23 ½	1	1403.55	10.98
S-6716-	26 - 27 ½ x 18 ¾ x 4	27 ½	1	1586.62	12.17
S-6717-	29 ⅞ - 31 ½ x 18 ¾ x 4	31 ½	1	1830.71	13.07
S-6718-	33 ⅞ - 35 x 18 ¾ x 4	35 ¾	1	2074.81	14.22

CLOSET ACCESSORIES




SOFTCLOSING

Total Capacity
 Capacidad total
 
66

Soft Close Shoe Organizer Organizador de zapatos de cierre suave

Color Options
Opciones de color

S-XXXX-W
WHITE

S-XXXX-A
ANTHRACITE

Product Code	W x D x H (inch)	C (inch)	Box	Volume (in ³)	Weight lbs.
S-6731-	22 - 23 1/4 x 18 3/4 x 5 7/8	23 5/8	1	2318.90	10.93
S-6719-	26 - 27 1/8 x 18 3/4 x 5 7/8	27 1/2	1	2746.07	11.71
S-6720-	29 7/8 - 31 1/8 x 18 3/4 x 5 7/8	31 1/2	1	3173.23	12.54
S-6732-	33 7/8 - 35 x 18 3/4 x 5 7/8	35 3/8	1	3600.40	13.87







Soft Close Pants Organizer
Organizador de pantalones de cierre suave

Color Options
 Opciones de color

S-XXXX-W
 WHITE

S-XXXX-A
 ANTHRACITE

Product Code	W x D x H (inch)	C (inch)	Box	Volume (in ³)	Weight lbs.
S-6722-	14 1/8 x 18 1/8 x 5 7/8	15 3/4	1	2624,02	10,03

CLOSET ACCESSORIES




Total Capacity
Capacidad total



Soft Close Pants Organizer Organizador de pantalones de cierre suave

Color Options
Opciones de color


S-XXXX-W
WHITE

S-XXXX-A
ANTHRACITE

Product Code	W x D x H (inch)	C (inch)	Box	Volume (in ³)	Weight lbs.
S-6723-	25 5/8 x 18 1/8 x 5 3/4	27 1/2	1	1403,55	11,95





Total Capacity
Capacidad total


Sliding Wardrobe Organizer
Organizador de guardarropa deslizante

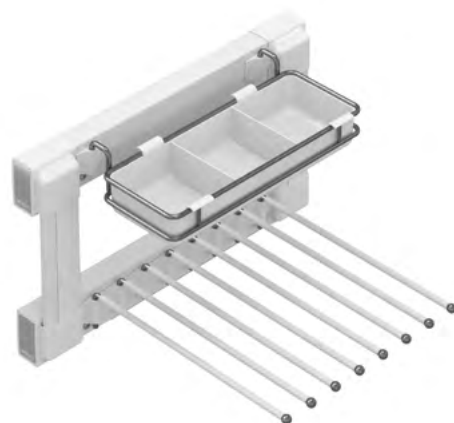
Color Options
 Opciones de color

S-XXXX-W
 WHITE

S-XXXX-A
 ANTHRACITE

Product Code	W x D x H (inch)	C (inch)	Box	Volume (in ³)	Weight lbs.
S-6724-	3 1/8 x 18 1/8 x 5 7/8	23 5/8	1	488,19	5,40

CLOSET ACCESSORIES




 Total Capacity  66
 Capacidad total  ANTISLIP

Soft Close Side Mount Pant Organizer With Accessory Box
 Organizador de pantalones de montaje lateral con cierre suave y caja para accesorios

Color Options
 Opciones de color

S-XXXX-W
 WHITE

S-XXXX-A
 ANTHRACITE

Product Code	W x D x H (inch)	Direction	Box	Volume (in ³)	Weight lbs.
S-6725-	15 3/4 x 18 3/4 x 11 3/8	Right - Derecho	1	610.24	8.53
S-6735-	15 3/4 x 18 3/4 x 11 3/8	Left - Izquierda	1	610.24	8.53




Total Capacity
Capacidad total 

Soft Close Side Mount Pant Organizer With Accessory Box
Organizador de pantalones de montaje lateral con cierre suave y caja para accesorios

Color Options
Opciones de color

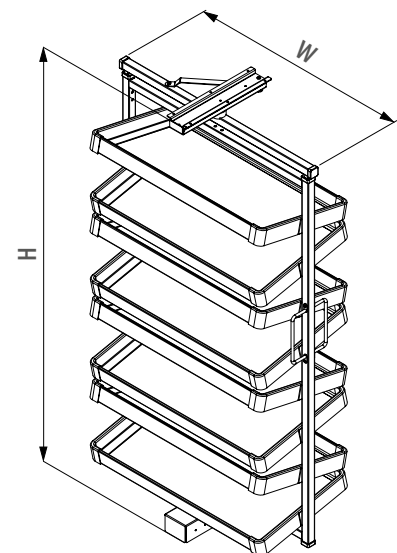
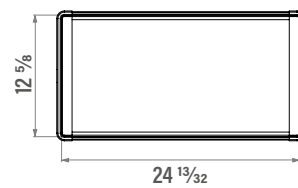
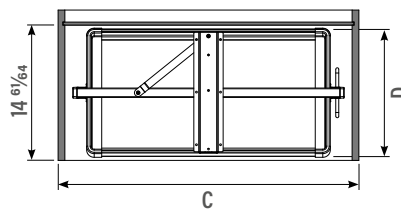
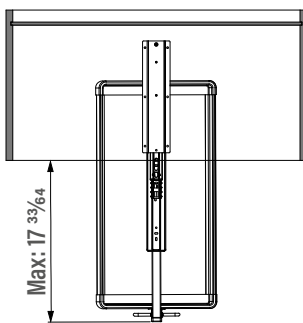
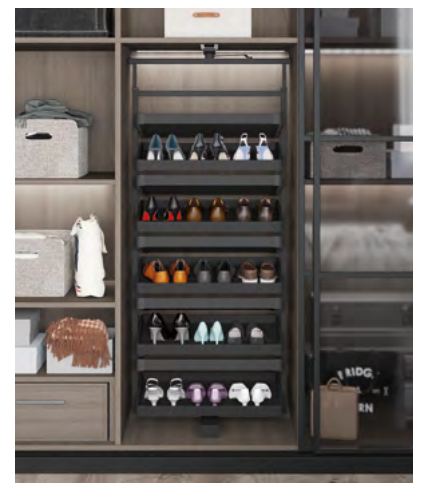
S-XXXX-W
WHITE

S-XXXX-A
ANTHRACITE

Product Code	W x D x H (inch)	Direction	Box	Volume (in ³)	Weight lbs.
S-6726-	9 x 18 ¾ x 11 ¾	Left - Izquierda	1	610.24	6.53
S-6736-	9 x 18 ¾ x 11 ¾	Right - Derecho	1	610.24	6.53

CLOSET ACCESSORIES





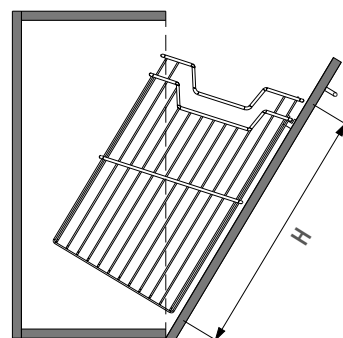
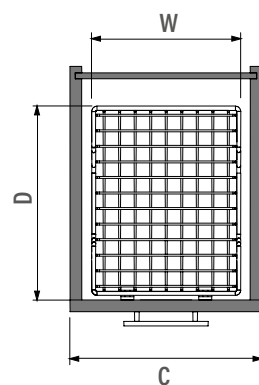
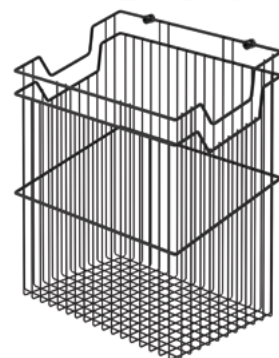
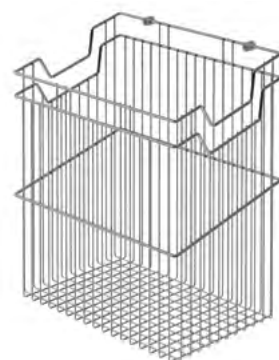
Total Capacity
Capacidad total **66**

Rotating Shoe Organizer
Organizador de zapatos giratorio

Color Options
Opciones de color **S-XXXX-W** WHITE **S-XXXX-A** ANTHRACITE

Product Code	W x D x H (inch)	C (inch)	Box	Baskets	Capacity	Volume (in ³)	Weight lbs.
S-6831-	27 1/2 x 14 1/8 x 31 1/8 - 39	31 1/2	1	4	12	4271,66	35,63
S-6832-	27 1/2 x 14 1/8 x 42 1/8 - 50	31 1/2	1	6	18	5492,14	44,54
S-6833-	27 1/2 x 14 1/8 x 53 1/8 - 61	31 1/2	1	8	24	7322,85	53,07
S-6834-	27 1/2 x 14 1/8 x 64 1/8 - 72	31 1/2	1	10	30	7933,09	61,74
S-6835-	27 1/2 x 14 1/8 x 75 1/4 - 83 1/8	31 1/2	1	12	36	9763,80	70,78

CLOTHING ORGANIZER



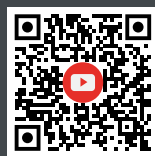
Laundry Baskets with Door Attachment Cestos de ropa con accesorios de fijación para puerta

Color Options
Opciones de color

S-XXXX-C
CHROME

S-XXXX-A
ANTHRACITE

Product Code	W x D x H (inch)	C (inch)	Box	Volume (in ³)	Weight lbs.
S-8114-	15 x 11 3/8 x 19 3/4	17 3/4	4	16842.55	30.75



STARAX U.S.

Address: 2860 W 3rd Ct, Hialeah FL 33010

Ph: +1 954-973-2424

Ph: +1 954-977-8357

Email: sales@premiumpi.com